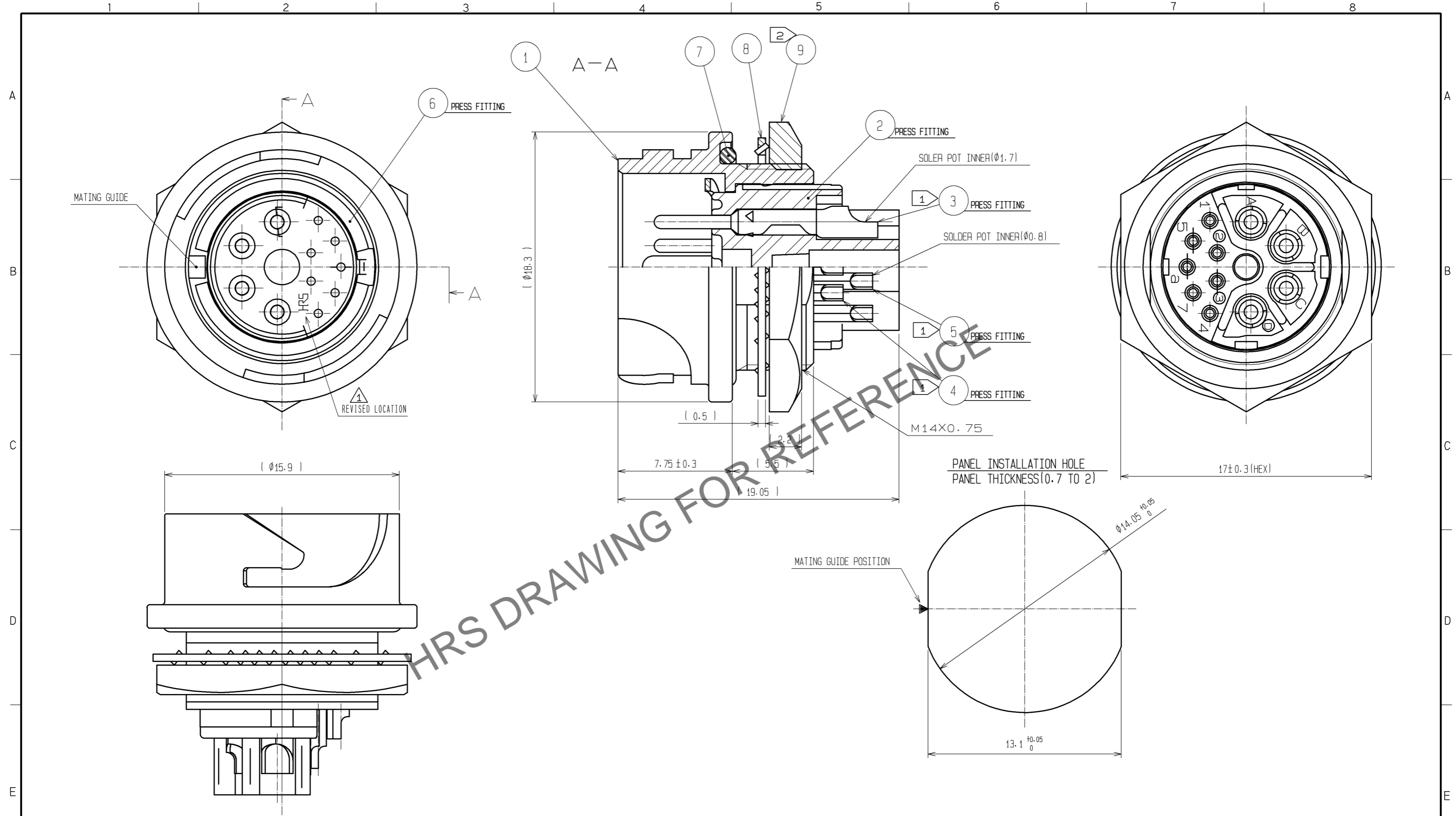


Apr.1.2025 Copyright 2025 HIROSE ELECTRIC CO., LTD. All Rights Reserved.
In case of consideration for using Automotive equipment / device which demand high reliability, kindly contact our sales window correspondents.



- NOTES
- ① PLATING (REF. NO. ①, ②, ③)
 - CONTACT AREA : GOLD 0.2 μ m min.
 - OTHERS : GOLD AND NICKEL
 - UNDER PLATING : NICKEL 2 μ m min.
 - ② THE RECOMMENDED CLAMP TORQUE OF REF. NO. ① TO BE 2 TO 2.5N·m.
THREAD LOCKER TO THE THREADED PORTION OF REF. NO. ① IS RECOMMENDED TO PREVENT REF. NO. ① FROM LOOSING.
RECOMMENDED THREAD LOCKER: LOCTITE 271, HENKEL JAPAN LTD.
 - ③ WHEN THIS CONNECTOR IS MOUNTED ON TO PANEL, BE CAREFUL REF. NO. ① IS ASSEMBLED SURELY INTO THE GROOVE OF REF. NO. ① AS SHOWN IN THIS FIGURE TO KEEP WATERPROOF EFFECTIVENESS.

5	COPPER ALLOY	①					
4	COPPER ALLOY	①			9	BRASS	NICKEL PLATING
3	COPPER ALLOY	①			8	PHOSPHOR BRONZE	NICKEL PLATING
2	PPS	(BLACK)	UL94V-0		7	CHLOROPRENE RUBBER	(BLACK)
1	ZINC ALLOY	NICKEL PLATING			6	PHOSPHOR BRONZE	NICKEL PLATING
部番	材質	処理	備考	部番	材質	処理	備考
UNITS mm		SCALE 4 : 1	Δ の数 1	訂正記事 DIS-C-000768	設計 DS. MATSUNE	検図 YH. YAMADA	年月日 08.01.08
HRS HIROSE ELECTRIC CO., LTD.		承認 : MR. YOSHIDA	05.01.05	図番 :	EDC3-114400-00		
		検図 : MO. SATOH	05.01.05	製品名 :	LF13WBR-11P		
		設計 : YH. YAMADA	05.01.05	製品コード :	CL136-1011-0-00		
		製図 : YH. YAMADA	05.01.05				