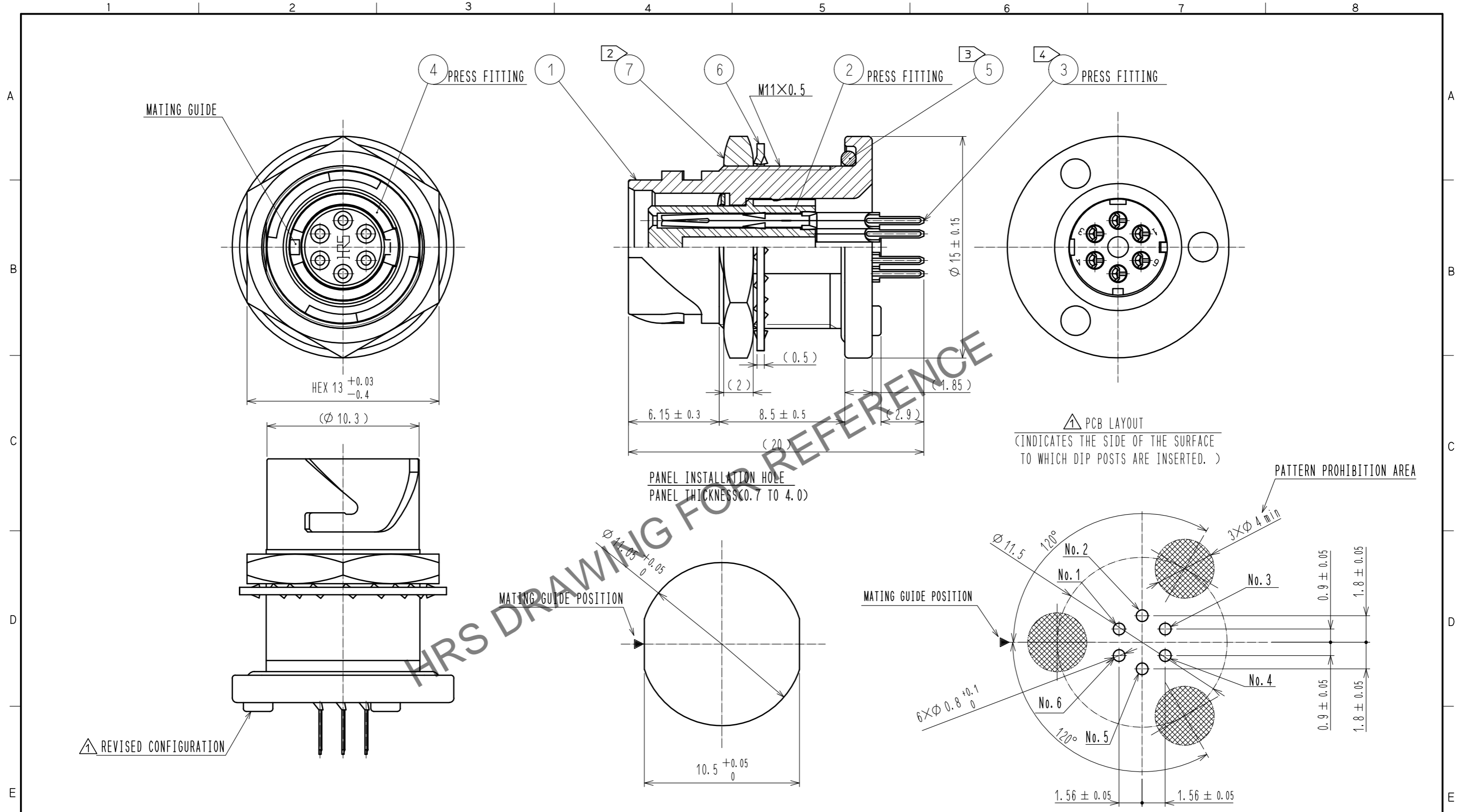


Oct.1.2024 Copyright 2024 HIROSE ELECTRIC CO., LTD. All Rights Reserved.
In case of consideration for using Automotive equipment / device which demand high reliability, kindly contact our sales window correspondents.



① REVISED CONFIGURATION

- NOTES**
- ① PLATING (REF. NO. ③)
CONTACT AREA : GOLD $0.2 \mu\text{m}$ min.
DIP AREA : GOLD $0.03 \mu\text{m}$ min.
UNDER PLATING : NICKEL PLATING $2 \mu\text{m}$ min.
 - ② THE RECOMMENDED CLAMP TORQUE OF REF. NO. ⑦ TO BE 1.5 TO 2 N · m.
THREAD LOCKER TO THREADED PORTION OF REF. NO. ① IS RECOMMENDED TO PREVENT REF. NO. ⑦ FROM LOOSING.
RECOMMENDED THREAD LOCKER : LOCTITE 263 , HENKEL JAPAN LTD.
 - ③ WHEN THIS CONNECTOR IS MOUNTED ON TO PANEL, BE CAREFUL REF. NO. ⑤ IS ASSEMBLED SURELY INTO THE GROOVE OF REF. NO. ⑤ AS SHOWN IN THIS FIGURE TO KEEP WATERPROOF EFFECTIVENESS.
 - ④ ROTATION EXAMPLE OF REF. NO. ③ ARE SHOWN.

| NO. | MATERIAL | FINISH . REMARKS | NO. | MATERIAL | FINISH . REMARKS |
|-----|-------------------------------|------------------|-----|----------------------------|------------------|
| 4 | PHOSPHOR BRONZE | NICKEL PLATING | 7 | BRASS | NICKEL PLATING |
| 3 | PHOSPHOR BRONZE | ① | 6 | PHOSPHOR BRONZE | NICKEL PLATING |
| 2 | POLYPHENYLENE SULFIDE (BLACK) | UL94V-0 | 5 | CHLOROPRENE RUBBER (BLACK) | |
| 1 | ZINC ALLOY | NICKEL PLATING | | | |

| UNITS | SCALE | COUNT | DESCRIPTION OF REVISIONS | DESIGNED | CHECKED | DATE |
|-------|-------|-------|--------------------------|-----------|-----------|----------|
| mm | 4 : 1 | 2 | DIS-C-00002307 | SY. KONDO | EJ. KUNII | 18.06.20 |

| APPROVED | CHECKED | DESIGNED | DRAWN | DRAWING NO. | PART NO. | CODE NO. |
|---------------|---------------|------------|-----------|------------------|------------------|-----------------|
| HY. KOBAYASHI | HY. KOBAYASHI | TY. SUZUKI | HM. SAITO | EDC-119580-31-00 | LF07WBRB-6SD(31) | CL136-1026-0-31 |