

Oct.1.2022 Copyright 2022 HIROSE ELECTRIC CO., LTD. All Rights Reserved.  
In case of consideration for using Automotive equipment / device which demand high reliability, kindly contact our sales window correspondents.

Fig.2(1:1)

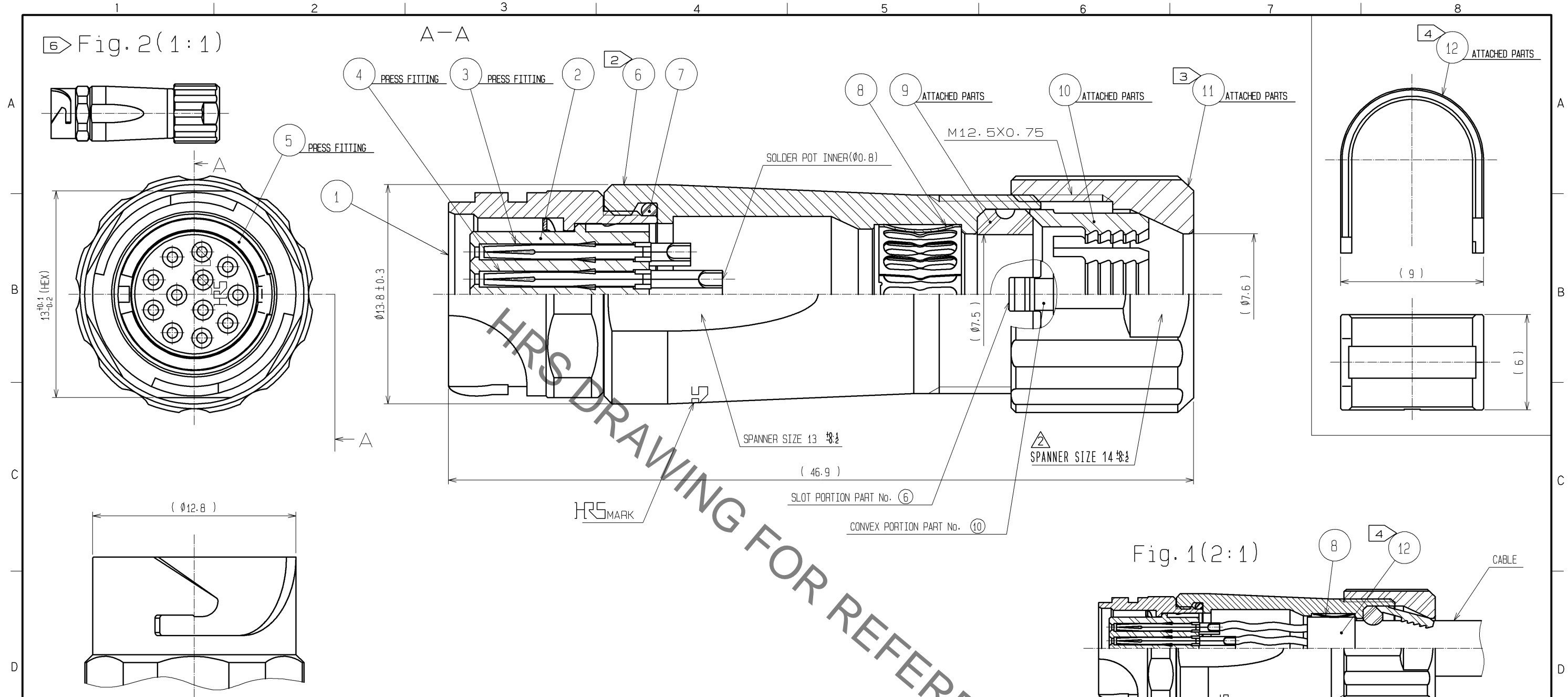
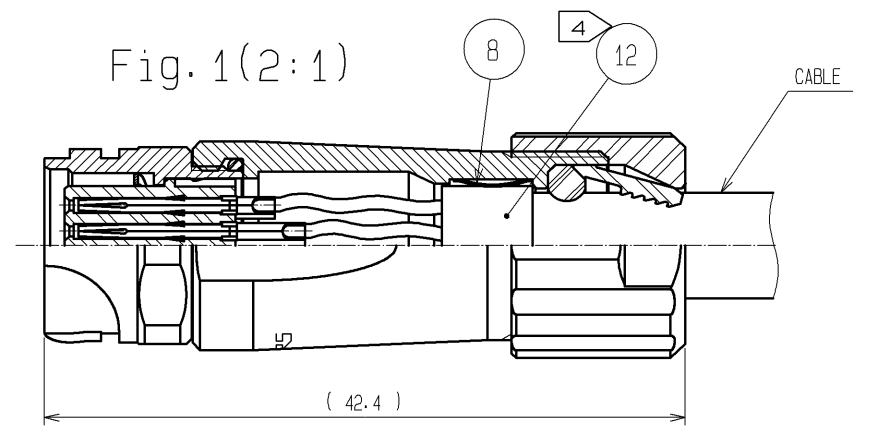


Fig.1(2:1)



- NOTES
- ① PLATING(REF.NO. ③, ④)  
CONTACT AREA : GOLD 0.2μm min  
OTHERS : GOLD AND NICKEL  
UNDER PLATING : NICKEL 2μm min
  - ② THE RECOMMENDED CLAMP TORQUE OF REF.NO. ⑥ TO BE 1 TO 1.5N·m.  
THREAD LOCKER TO THE THREADED PORTION OF REF.NO. ① IS RECOMMENDED TO PREVENT REF.NO. ⑥ FROM LOOSING.  
RECOMMENDED THREAD LOCKER : LOCTITE 263, HENKEL JAPAN LTD.
  - ③ THE RECOMMENDED CLAMP TORQUE OF REF.NO. ⑪ TO BE 0.8 TO 1N·m.  
THREAD LOCKER AND LOCK PRIMER TO THE THREADED PORTION M12.5X0.75 OF REF.NO. ⑥ IS RECOMMENDED TO PREVENT REF.NO. ⑪ FROM LOOSING.  
RECOMMENDED THREAD LOCKER AND LOCK PRIMER : LOCTITE 263, LOCK PRIMER 7649, HENKEL JAPAN LTD.
  - ④ FASTEN REF.NO. ⑫ TO THE CABLE WITH THE CABLE CRIMPING TOOL.  
AND MAKE REF.NO. ⑫ CONTACT WITH REF.NO. ⑧(REFER TO Fig.1).  
REFER TO THE TECHNICAL SPECIFICATION ATAD-C0099 FOR DETAILS.  
APPLICABLE CABLE CRIMPING TOOL : LF-TC-01 (CL150-0234-6)
  - ⑤ APPLICABLE CABLE ASSEMBLY FIXTURE : LF10BJ-T01 (CL150-0236-1)  
CABLE ASSEMBLY FIXTURE IS USED AS A RECEPTACLE STAND OF EXTRACT AND THE PART NUMBER ① OF AN ASSEMBLY.
  - ⑥ Fig.2 SHOWS THE APPEARANCE AFTER ASSEMBLY.
  - ⑦ ROTATION EXAMPLES OF REF. NOS. ⑥ AND ⑪ TO ① ARE SHOWN.
  - ⑧ CABLE PULL FORCE, TWISTING STRENGTH, WATER TIGHTNESS AND OTHER CHARACTERISTICS MAY DIFFER DEPENDING ON CABLE SPECIFICATIONS AND STRUCTURE.  
PLEASE EVALUATE UNDER THE ACTUAL CONDITIONS PRIOR TO USE.

NO.	MATERIAL	FINISH . REMARKS	NO.	MATERIAL	FINISH . REMARKS
6	ZINC ALLOY	NICKEL PLATING	12	BRASS	NICKEL PLATING
5	PHOSPHOR BRONZE	NICKEL PLATING	11	PPS	(NATURAL·BROWN) UL94V-0
4	PHOSPHOR BRONZE	①	10	POLYAMIDE	(NATURAL·MILKY WHITE) UL94V-0
3	PHOSPHOR BRONZE	①	9	CHLOROPRENE RUBBER	(BLACK)
2	PPS	(BLACK) UL94V-0	8	PHOSPHOR BRONZE	NICKEL PLATING
1	ZINC ALLOY	NICKEL PLATING	7	CHLOROPRENE RUBBER	(BLACK)

UNITS	SCALE	COUNT	DESCRIPTION OF REVISIONS	DESIGNED	CHECKED	DATE
mm	4 : 1	4	DIS-C-003545	KN. IKEHARA	EJ. KUNII	14.07.18

APPROVED : MR. YOSHIDA	05.01.05	DRAWING NO.	EDC3-114251-00
CHECKED : MO. SATOH	05.01.05	PART NO.	LF10WBJ-12S
DESIGNED : YH. YAMADA	05.01.05	CODE NO.	CL136-2008-1-00
DRAWN : YH. YAMADA	05.01.05		