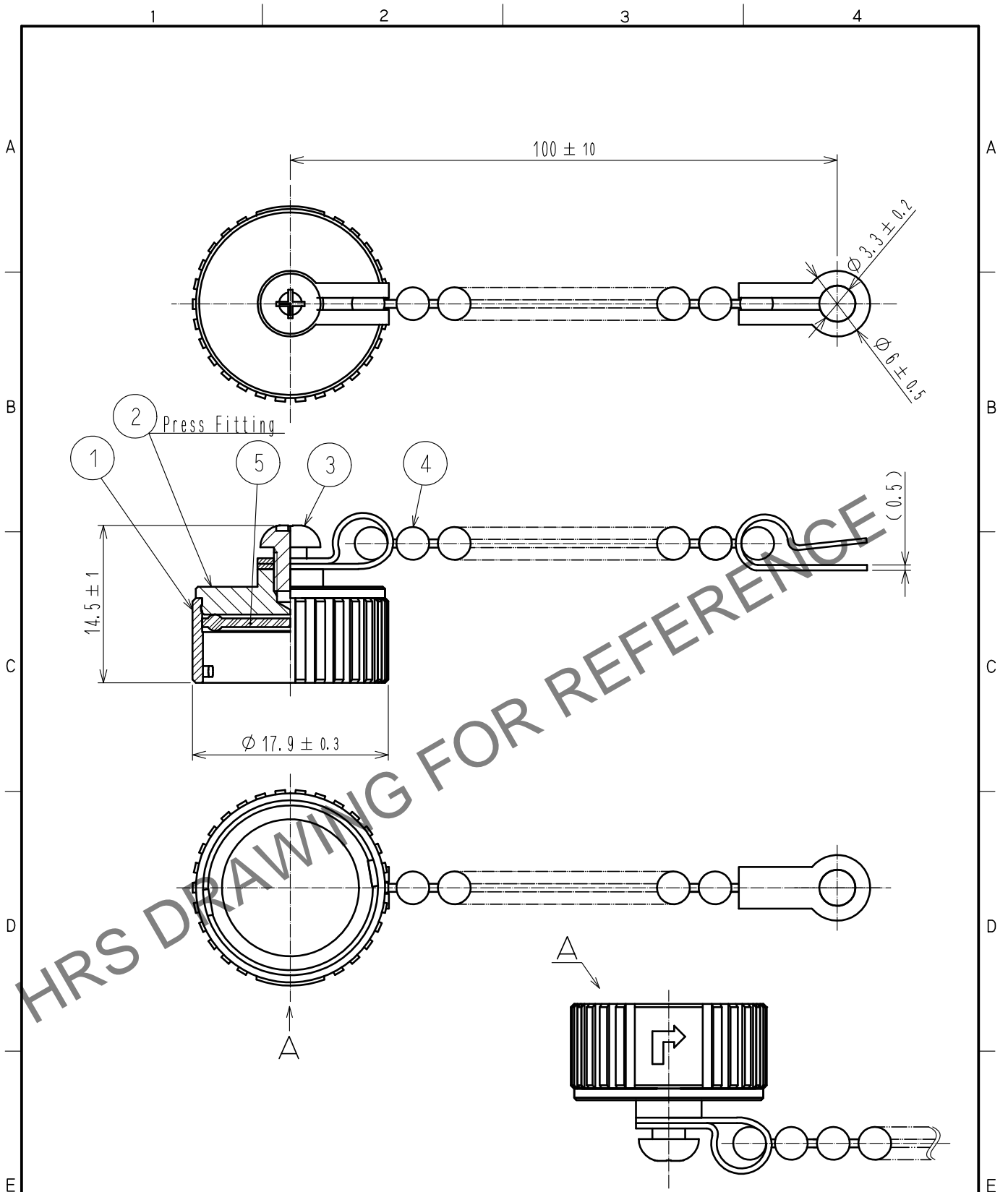


Oct.1.2024 Copyright 2024 HIROSE ELECTRIC CO., LTD. All Rights Reserved.
 In case of consideration for using Automotive equipment / device which demand high reliability, kindly contact our sales window correspondents.



NOTE 1 This product is a cap for LF13WBR※-※(※).
 It is applicable regardless of given alphabets or numbers shown at ※.

3	Copper	Zinc plating						
2	Brass	Nickel plating		5	Silicone rubber	(Black)		
1	Zinc alloy	Nickel plating		4	Stainless			
NO.	MATERIAL	FINISH	REMARKS	NO.	MATERIAL	FINISH	REMARKS	
UNITS mm		SCALE 2 : 1	COUNT 	DESCRIPTION OF REVISIONS		DESIGNED	CHECKED	DATE
HIROSE ELECTRIC CO., LTD.		APPROVED :EJ. KUNII	20220301	DRAWING NO.		EDC-117593-00-00		
		CHECKED :EJ. KUNII	20220301	PART NO.		LF13WBR-C1		
		DESIGNED :TR. YAMANOUE	20220228	CODE NO.		CL0136-3006-1-00		
		DRAWN :TR. YAMANOUE	20220228			1/1		