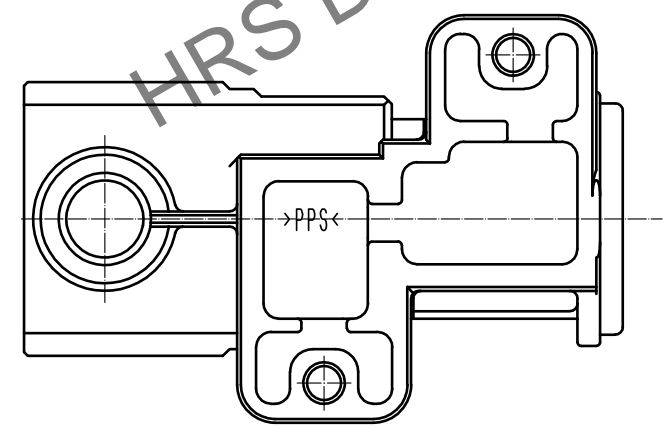
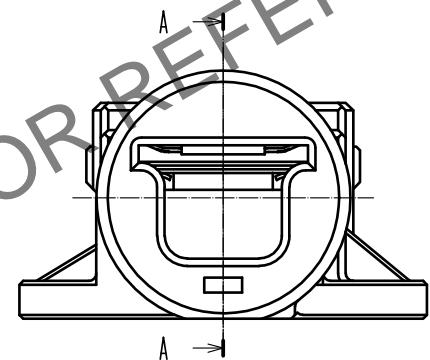
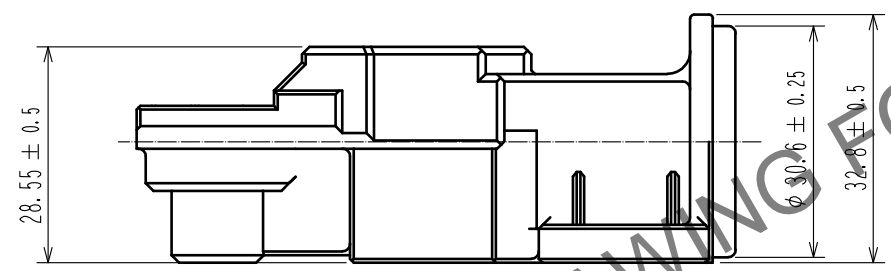
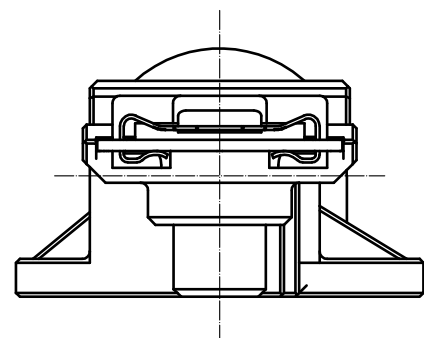
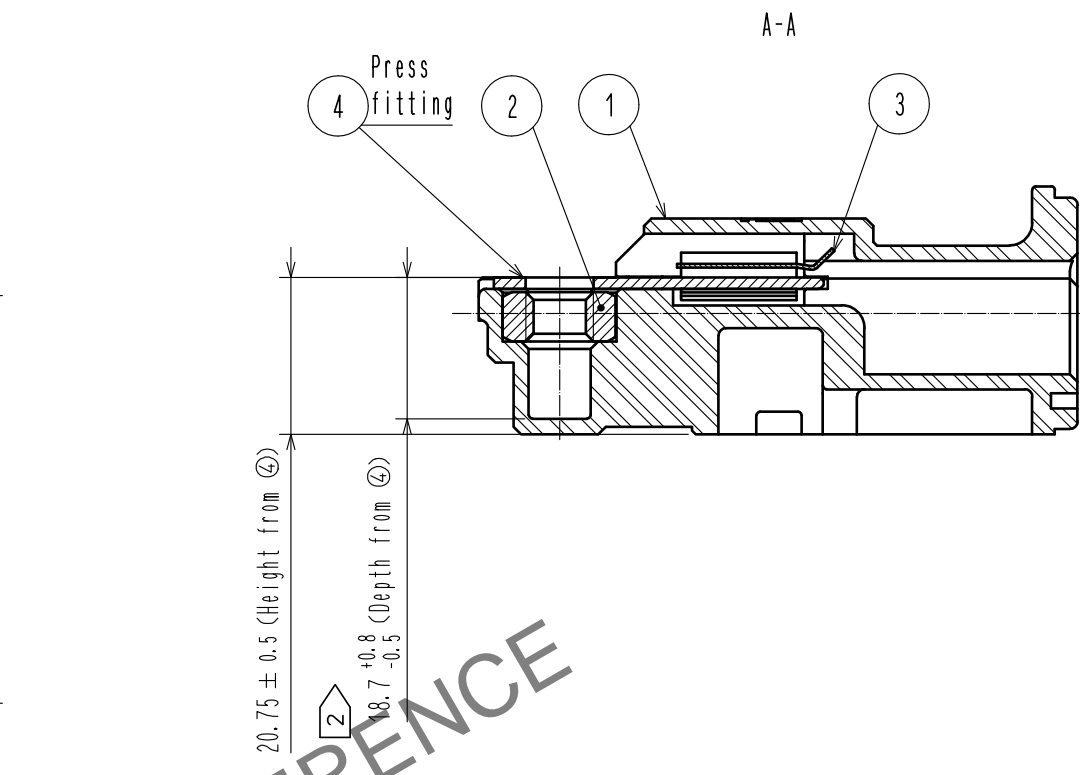
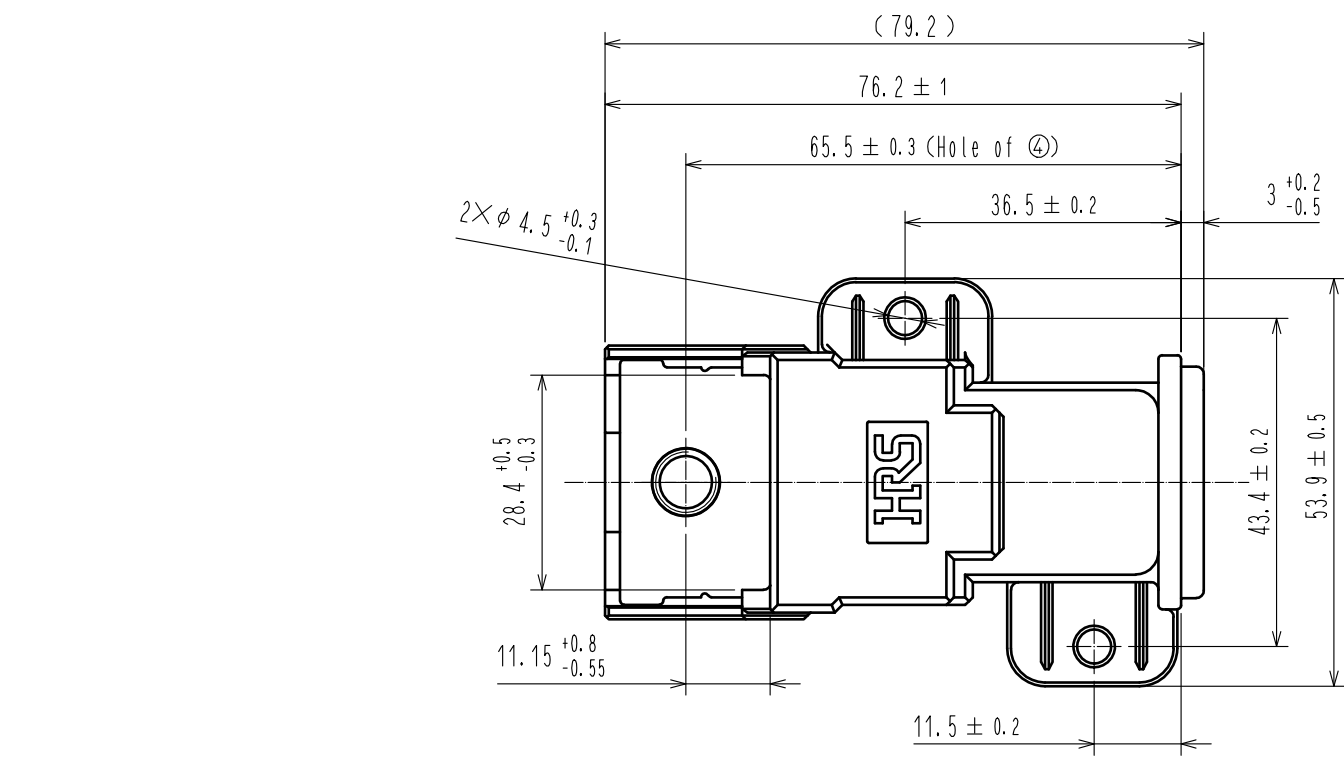


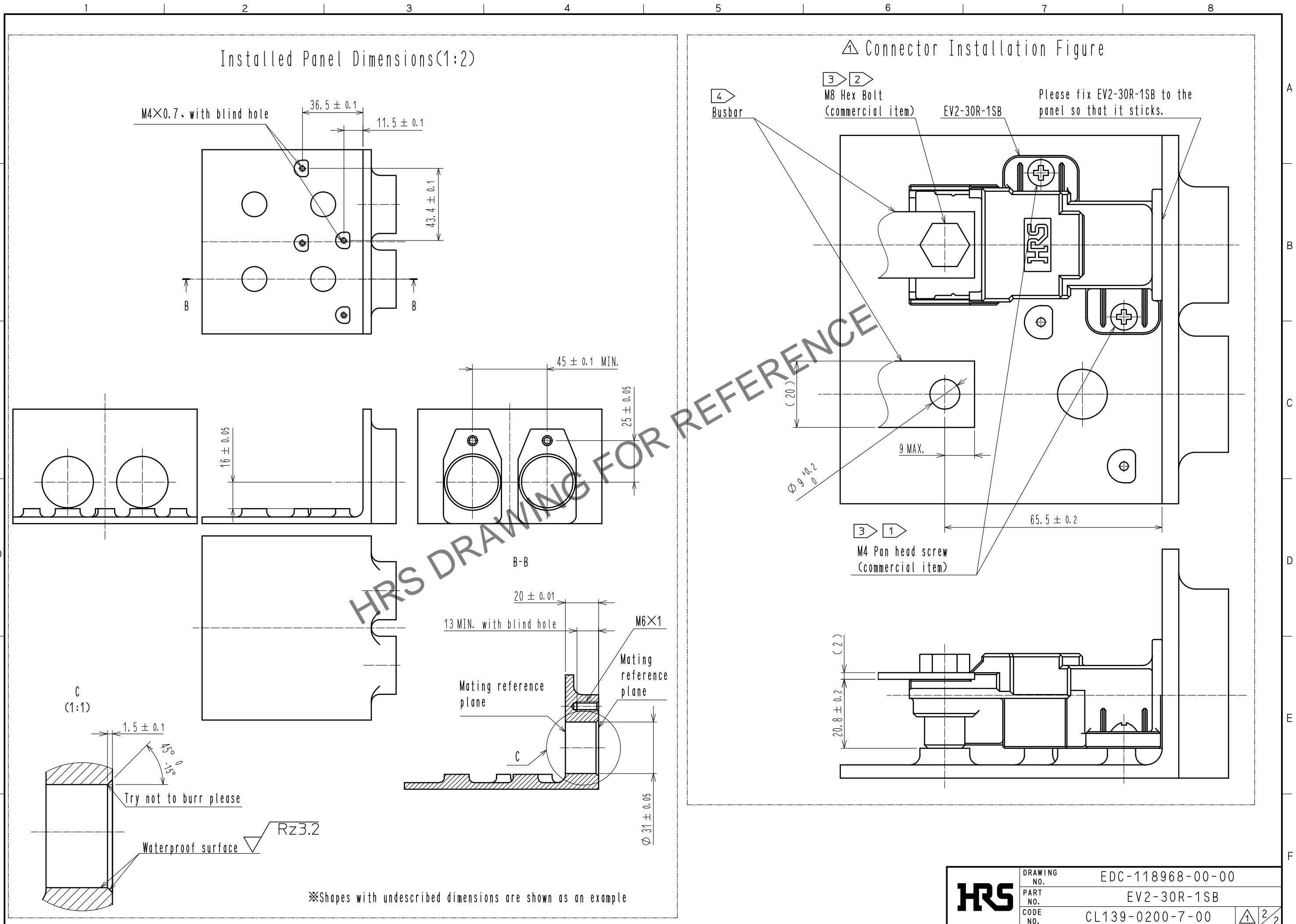
Sep.1.2023 Copyright 2023 HIROSE ELECTRIC CO., LTD. All Rights Reserved.  
In case of consideration for using Automotive equipment / device which demand high reliability, kindly contact our sales window correspondents.



- Notes
- ① The recommended tightening torque of the M4 Pan head screws is 1.5 to 1.6 N·m.
  - ② Applicable Hex bolt specifications:  
Material: Steel  
Plating: Nickel plating  
Nominal length: Thickness of the busbar + (10 to 15)mm  
The recommended tightening torque: 6.0 to 6.5 N·m
  - ③ To prevent the M4 Pan head screw and M8 Hex bolt from loosening, it is recommended that Henkel Japan's loctite 243, or equivalent, be applied to this product.
  - ④ Recommended busbar plating: Tin plating  
(If a tin plating is not used, be careful of galvanic corrosion)
  - ⚠ WARNING ⑤ This connector is not hot pluggable.
  - ⑥ This product shall be mated/unmated with the Hex bolt fixed as shown in Connector Installation Figure.  
If there are no bolts, part ④ will come off.

2	Steel	Nickel plating	4	Copper alloy	Tin plating 1μm min.
1	Polyphenylene sulfide	UL94V-0 (Black)	3	Stainless steel	
NO.	MATERIAL	FINISH . REMARKS	NO.	MATERIAL	FINISH . REMARKS
UNITS	mm	SCALE	1 : 1	COUNT	2
DESCRIPTION OF REVISIONS			DESIGNED	CHECKED	DATE
DIS-C-00002349			TP. KOMATSU	YH. YAMADA	18.06.07
APPROVED : SU. OBARA 15.11.13			DRAWING NO. EDC-118968-00-00		
CHECKED : YH. YAMADA 15.11.13			PART NO. EV2-30R-1SB		
DESIGNED : HS. KAWASHIMA 15.11.13			CODE NO. CL139-0200-7-00		
DRAWN : HS. KAWASHIMA 15.11.13			1/2		

Sep.1.2023 Copyright 2023 HIROSE ELECTRIC CO., LTD. All Rights Reserved.  
In case of consideration for using Automotive equipment / device which demand high reliability, kindly contact our sales window correspondents.



※Shapes with undescribed dimensions are shown as an example

<b>HRS</b>	DRAWING NO.	EDC-118968-00-00	△ 2/2
	PART NO.	EV2-30R-1SB	
	CODE NO.	CL139-0200-7-00	