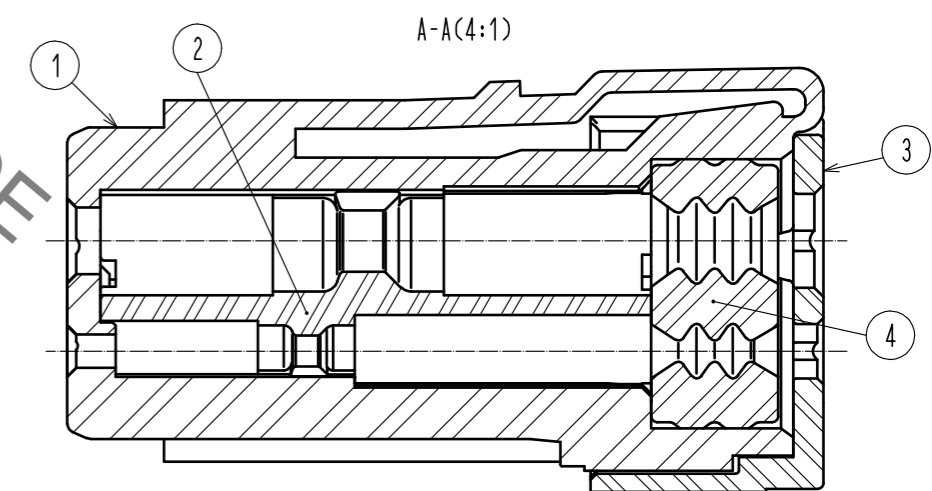
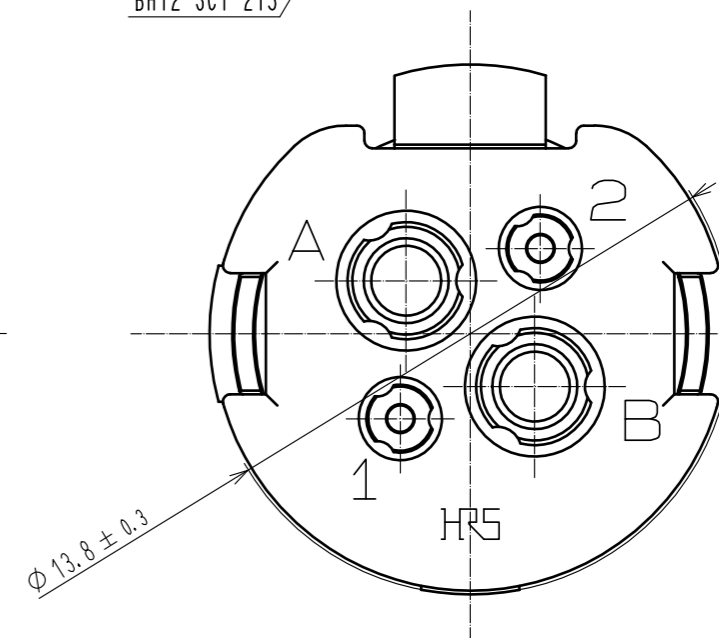
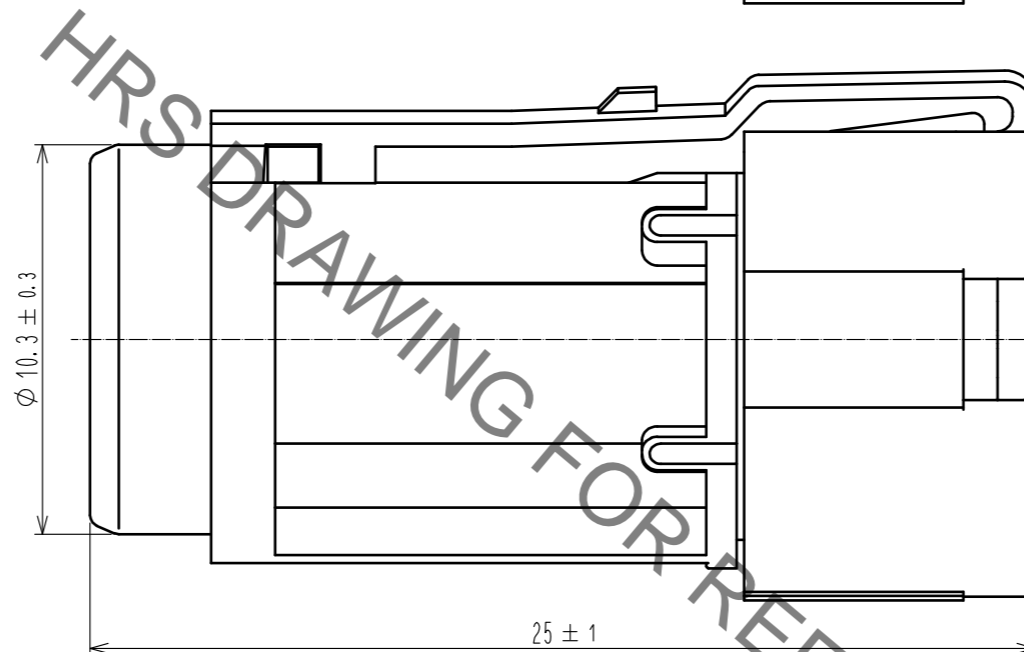
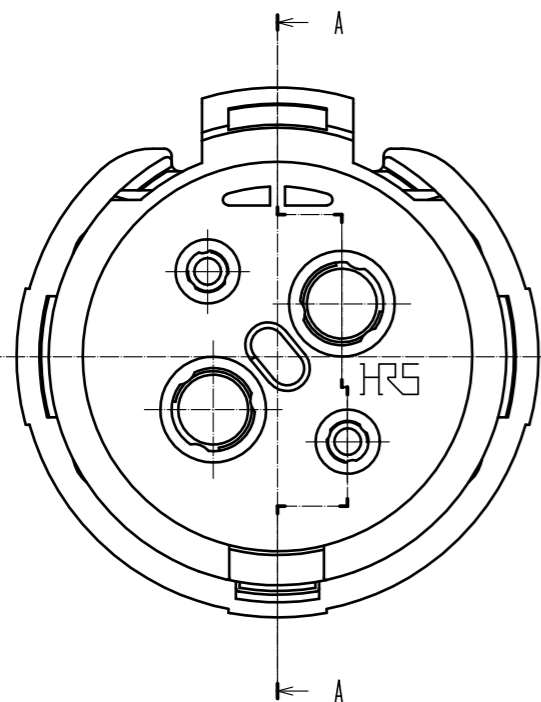
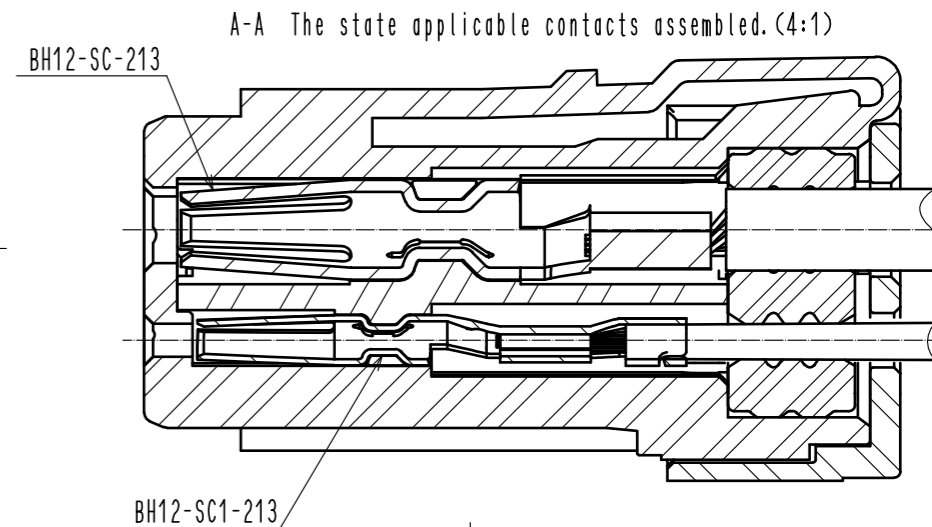
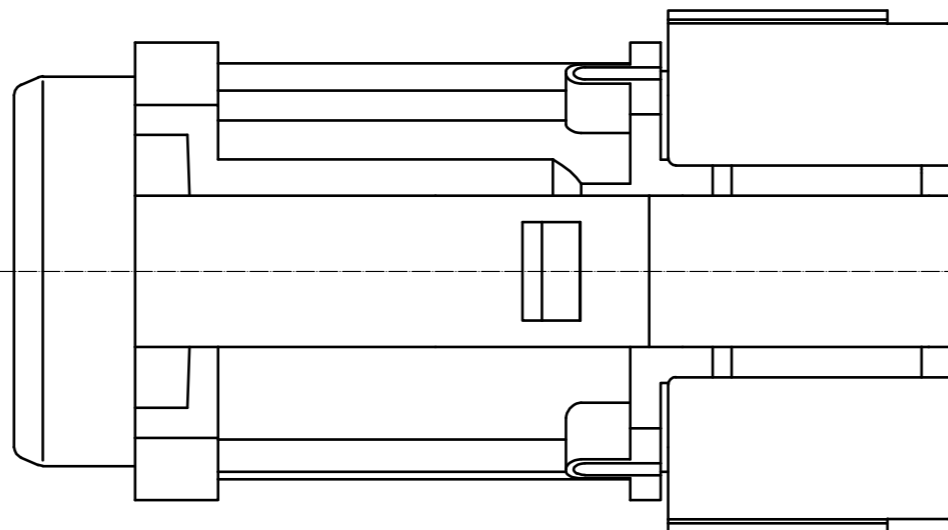
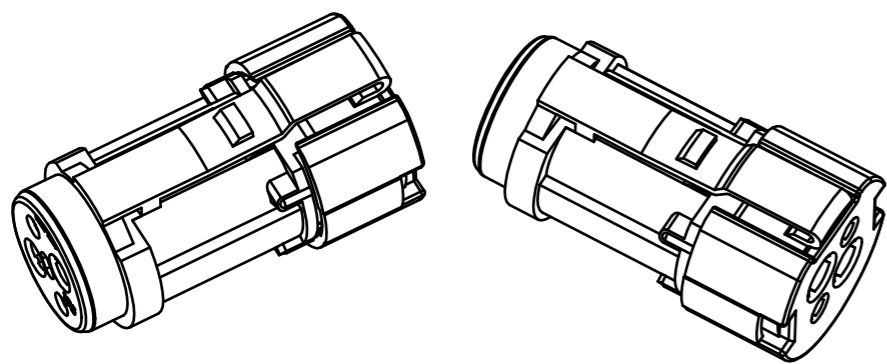


Oct.1.2021 Copyright 2021 HIROSE ELECTRIC CO., LTD. All Rights Reserved.
In case of consideration for using Automotive equipment / device which demand high reliability, kindly contact our sales window correspondents.

△ Shape change

Isometric drawing(2:1)



- Notes
1. This product is delivered disassembled.
 2. Applicable crimp contact
Power : BH12-SC-213(CL140-0014-0-00) (Applicable wire:AWG#14 to 16 Wire jacket diameter: $\phi 2.6$ to 3.0)
Signal : BH12-SC1-213(CL140-0015-0-00) (Applicable wire:AWG#22 to 24 Wire jacket diameter: $\phi 1.4$ to 1.6)
 3. The assembly of this product applies to the manual ETAD-C0454-00.
 4. The cable pull and twisting strength, waterproof tightness and other characteristics may differ, depending on the cable structure, please confirm before the use.
 - △ 5. Please do not use this connector in the condition of incomplete mating. Otherwise, the electrical performance, waterproofness, and lock strength cannot meet the defined specifications.
 - △ 6. Remove the plug while pressing with a finger the lock spring on the plug to unlock. To prevent the lock hanger from being damaged or the cables from being disconnected, do not remove the plug when it is locked. Please avoid force is applied to particular cable.

| | | | | | | | |
|--------------------------------------|----------|-----------------------|------------|--|------------------------|--------------------------|------------------|
| 2 | PBT | (Black) UL94V-0 | 4 | シリコンゴム | (Red) | | |
| 1 | PBT | (Black) UL94V-0 | 3 | PBT | (Black) UL94V-0 | | |
| NO. | MATERIAL | FINISH . REMARKS | NO. | MATERIAL | FINISH . REMARKS | | |
| UNITS mm | | SCALE 5 : 1 | COUNT 1 | DESCRIPTION OF REVISIONS DIS-C-00004209 | DESIGNED HN. TANAKA | CHECKED HY. KOBAYASHI | DATE 20200825 |
| HRS HIROSE ELECTRIC CO., LTD. | | APPROVED . YH. YAMADA | 20200128 | DRAWING NO. EDC-390397-00-00 | | | |
| | | CHECKED . HN. TANAKA | 20200128 | PART NO. BH12WP-4SC | | | |
| | | DESIGNED . SH. KOYAMA | 20200128 | CODE NO. CL140-0010-0-00 | | | |
| | | DRAWN . SH. KOYAMA | 20200128 | | | 1/1 | |