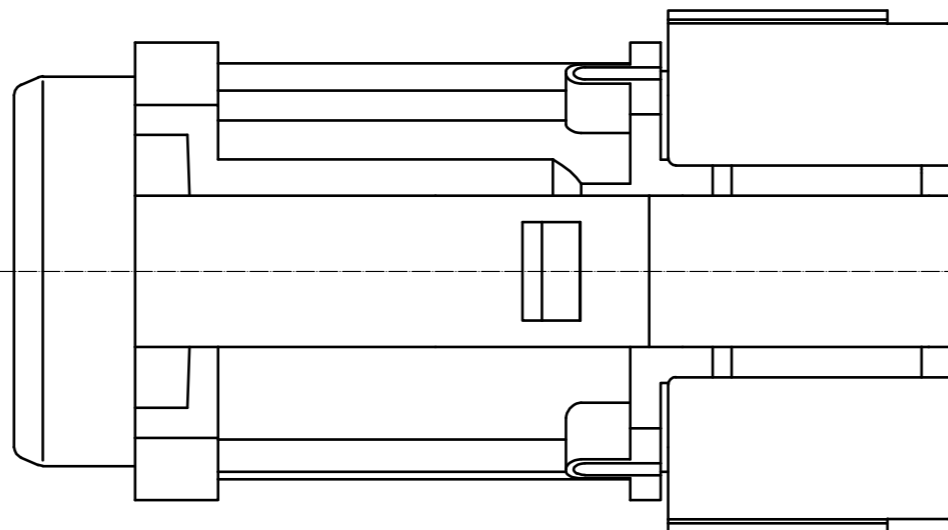
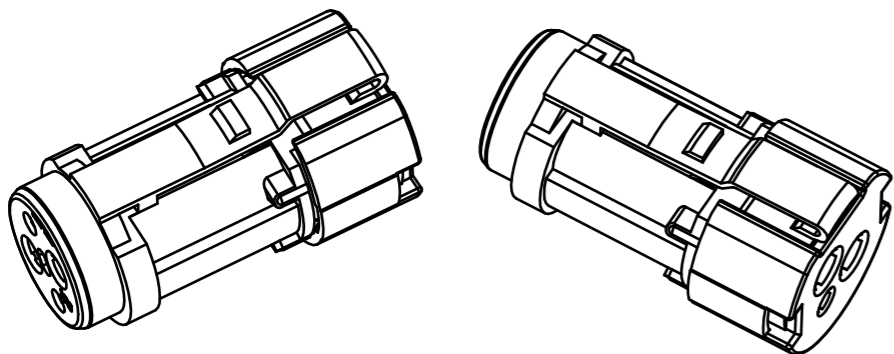


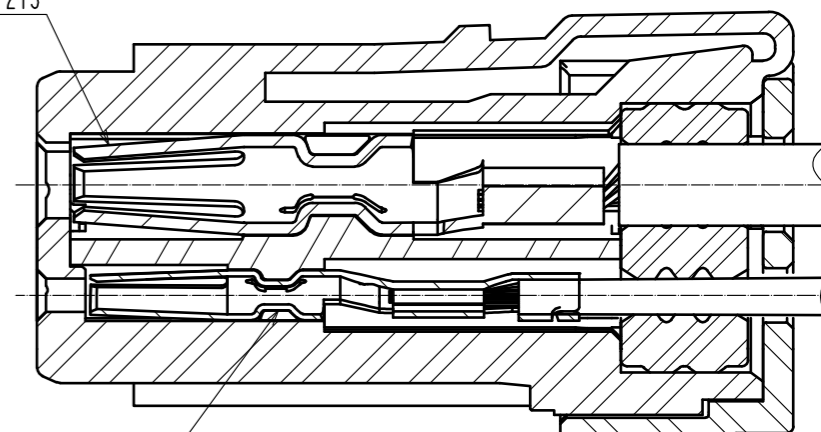
Jan.1.2022 Copyright 2022 HIROSE ELECTRIC CO., LTD. All Rights Reserved.
In case of consideration for using Automotive equipment / device which demand high reliability, kindly contact our sales window correspondents.

△ Shape change

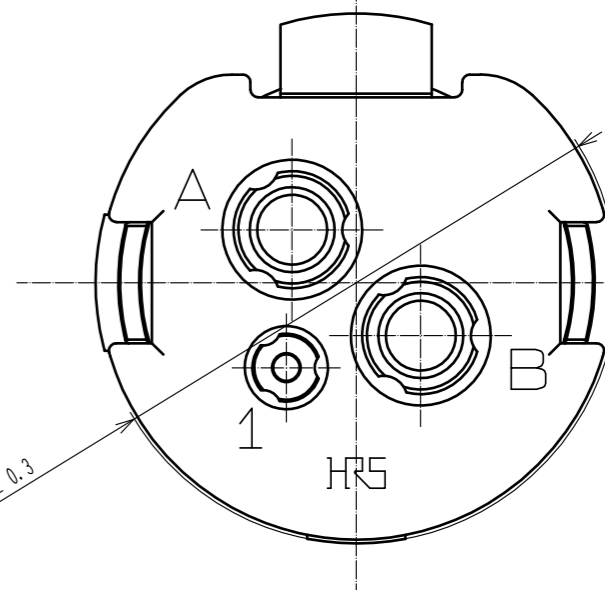
Isometric drawing(2:1)



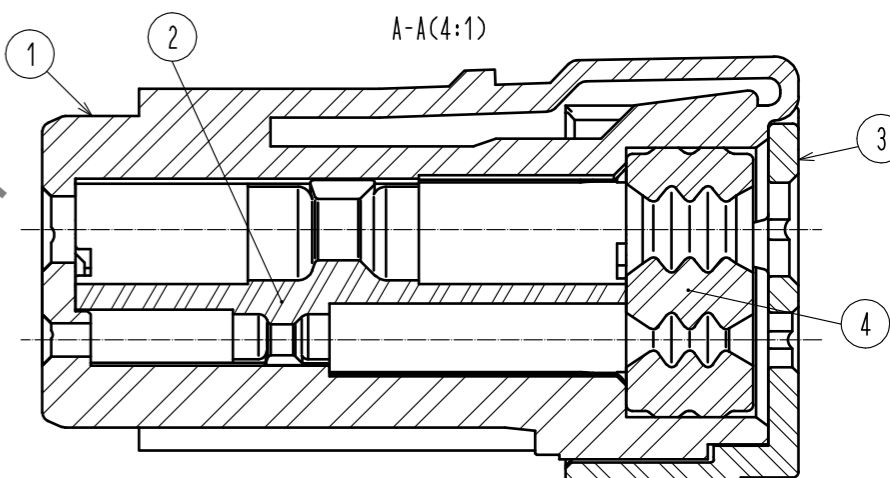
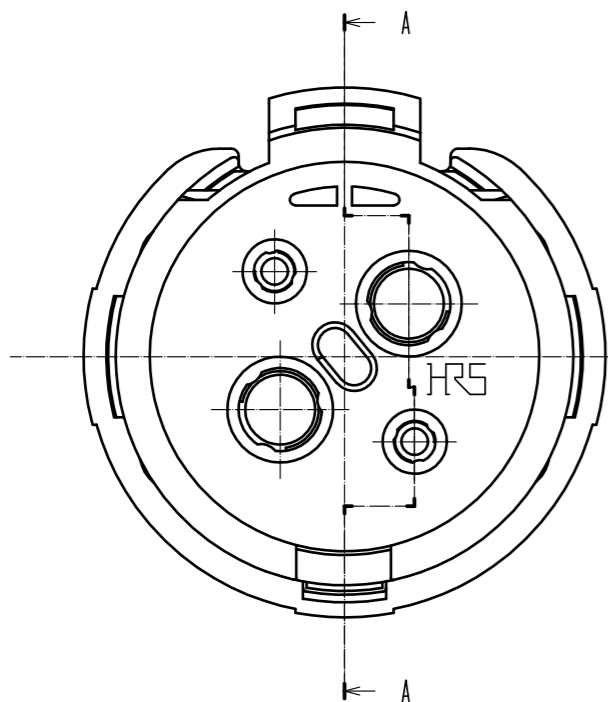
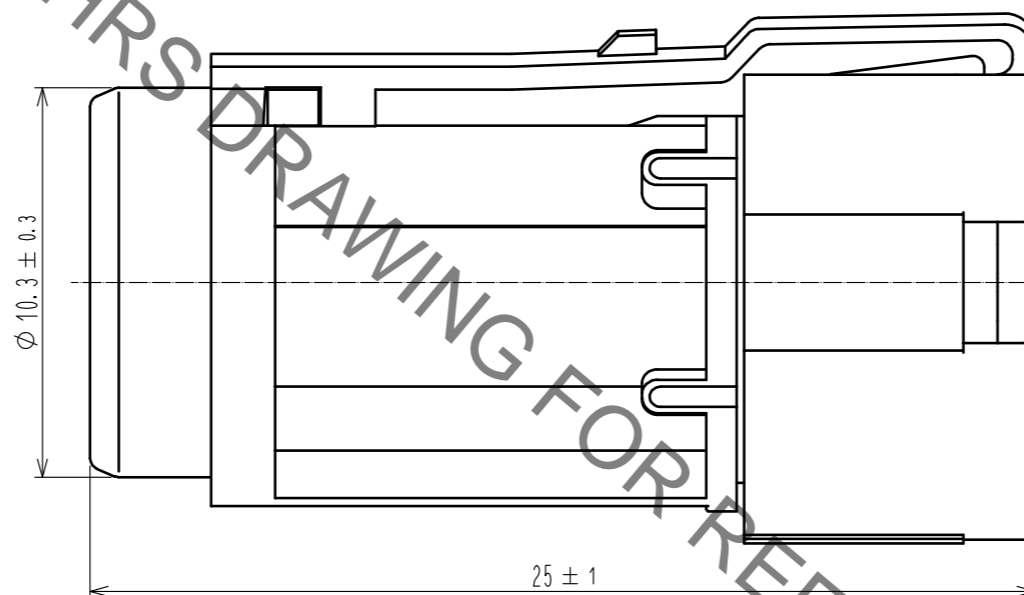
BH12-SC-213 A-A The state applicable contacts assembled. (4:1)



BH12-SC1-213



HRS DRAWING FOR REFERENCE



- Notes
1. This product is delivered disassembled.
 2. Applicable crimp contact
Power : BH12-SC-213(CL140-0014-0-00) (Applicable wire:AWG#14 to 16 Wire jacket diameter: $\phi 2.6$ to 3.0)
Signal : BH12-SC1-213(CCL140-0015-0-00) (Applicable wire:AWG#22 to 24 Wire jacket diameter: $\phi 1.4$ to 1.6)
 3. The assembly of this product applies to the manual ETAD-C0454-00.
 4. The cable pull and twisting strength, waterproof tightness and other characteristics may differ, depending on the cable structure, please confirm before the use.
 - △ 5. Please do not use this connector in the condition of incomplete mating. Otherwise, the electrical performance, waterproofness, and lock strength cannot meet the defined specifications.
 - △ 6. Remove the plug while pressing with a finger the lock spring on the plug to unlock. To prevent the lock hanger from being damaged or the cables from being disconnected, do not remove the plug when it is locked. Please avoid force is applied to particular cable.

2	PBT	(Black) UL94V-0	4	シリコンゴム	(Red)		
1	PBT	(Black) UL94V-0	3	PBT	(Black) UL94V-0		
NO.	MATERIAL	FINISH . REMARKS	NO.	MATERIAL	FINISH . REMARKS		
UNITS		SCALE	COUNT	DESCRIPTION OF REVISIONS	DESIGNED	CHECKED	DATE
mm		5 : 1	△ 1	DIS-C-00004209	HN. TANAKA	HY. KOBAYASHI	20200825
HRS HIROSE ELECTRIC CO., LTD.		APPROVED	· YH. YAMADA	20200128	DRAWING NO. EDC-390398-00-00		
		CHECKED	· HN. TANAKA	20200128	PART NO. BH12WP-3SC		
		DESIGNED	· SH. KOYAMA	20200128	CODE NO. CL140-0011-0-00		
		DRAWN	· SH. KOYAMA	20200128	△ 1/1		