

Oct.1.2021 Copyright 2021 HIROSE ELECTRIC CO., LTD. All Rights Reserved.  
In case of consideration for using Automotive equipment / device which demand high reliability, kindly contact our sales window correspondents.

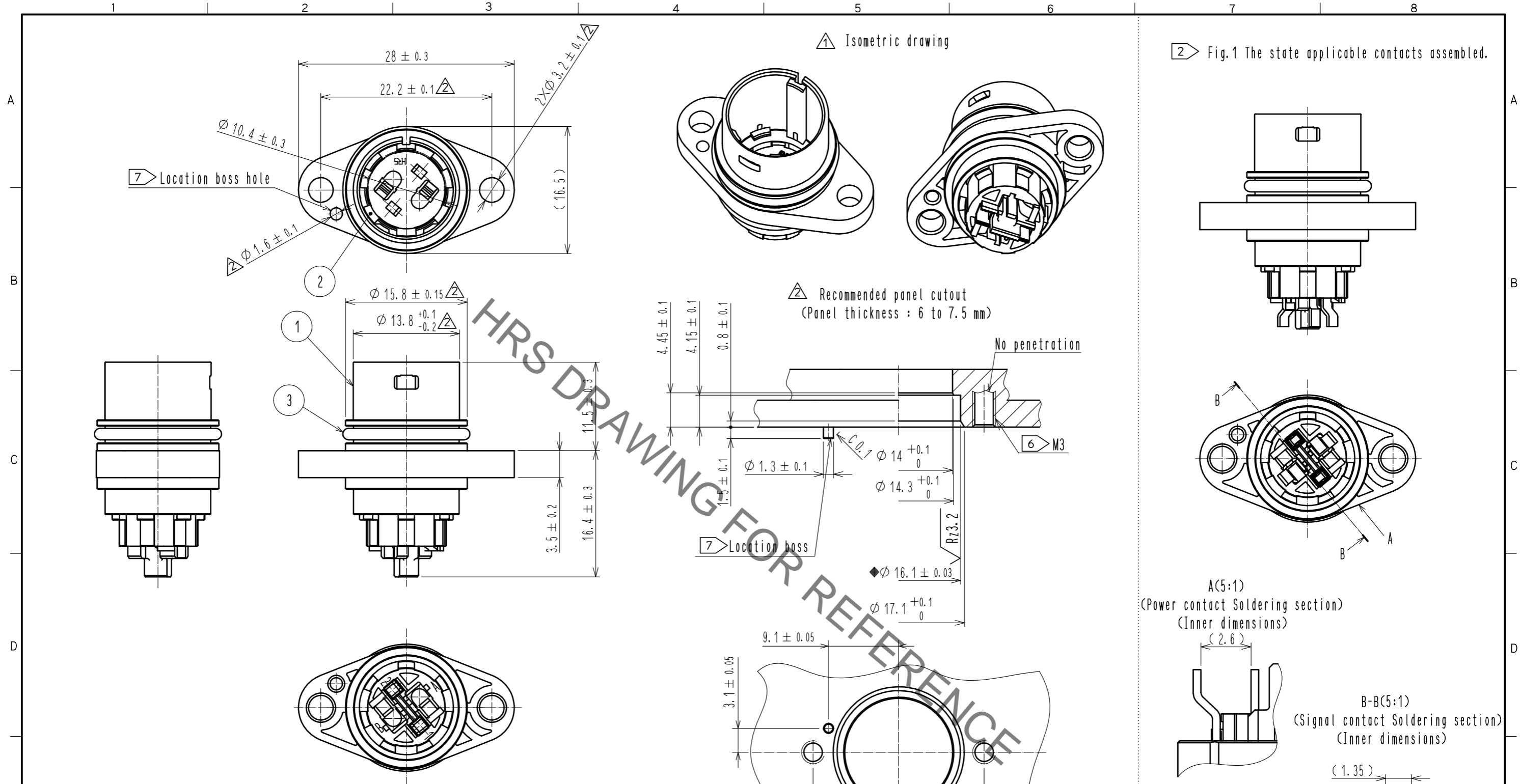


Fig.1 The state applicable contacts assembled.

- Notes
- Applicable contact  
Power : BH12-P-213(CL140-0016-0-00) (Applicable wire:AWG#14 to 16 Wire jacket diameter:φ2.6 to 3.0)  
Signal : BH12-P1-213(CL140-0017-0-00) (Applicable wire:AWG#22 to 24 Wire jacket diameter:φ1.4 to 1.6)
  - Fig.1 shows the state applicable contact assembled.
  - The assembly of this product applies to the manual ETAD-C0454-00.
  - Check Ref No. ③ is properly set at the groove of Ref No. ① while mounting the connector, make sure that Ref NO. ③ is not caught.
  - The cable pull and twisting strength, waterproof tightness and other characteristics may differ, depending on the cable structure, please confirm before the use.
  - The recommended tightening torque for the screw is 0.3 to 0.5 N·m. it is recommended to apply Adhesive LOCTITE 263 manufactured by Henkel Japan LTD (or Equivalent) to the screw to refrain from loosening.
  - When attaching to the panel, confirm the position of the location boss hole before tightening.
  - Please do not use this connector in the condition of incomplete mating. Otherwise, the electrical performance, waterproofness, and lock strength cannot meet the defined specifications.

|                               |                 |          |         |             |                 |                          |            |
|-------------------------------|-----------------|----------|---------|-------------|-----------------|--------------------------|------------|
| 2                             | silicone rubber | (Yellow) |         |             |                 |                          |            |
| 1                             | PBT             | (Black)  | UL94V-0 | 3           | silicone rubber | (Red)                    |            |
| NO.                           | MATERIAL        | FINISH   | REMARKS | NO.         | MATERIAL        | FINISH                   | REMARKS    |
| UNITS                         | mm              | SCALE    | 2 : 1   | COUNT       | 6               | DESCRIPTION OF REVISIONS | DESIGNED   |
|                               |                 |          |         |             |                 | DIS-C-00004289           | SH. KOYAMA |
|                               |                 |          |         |             |                 | DATE                     | 20201009   |
|                               |                 |          |         |             |                 | APPROVED : YH. YAMADA    | 20200128   |
|                               |                 |          |         |             |                 | CHECKED : HN. TANAKA     | 20200128   |
|                               |                 |          |         |             |                 | DESIGNED : SH. KOYAMA    | 20200128   |
|                               |                 |          |         |             |                 | DRAWN : SH. KOYAMA       | 20200128   |
| HRS HIROSE ELECTRIC CO., LTD. |                 |          |         | DRAWING NO. |                 | EDC-390463-00-00         |            |
|                               |                 |          |         | PART NO.    |                 | BH12WRA-4P               |            |
|                               |                 |          |         | CODE NO.    |                 | CL140-0013-0-00          |            |
|                               |                 |          |         |             |                 | 1/1                      |            |