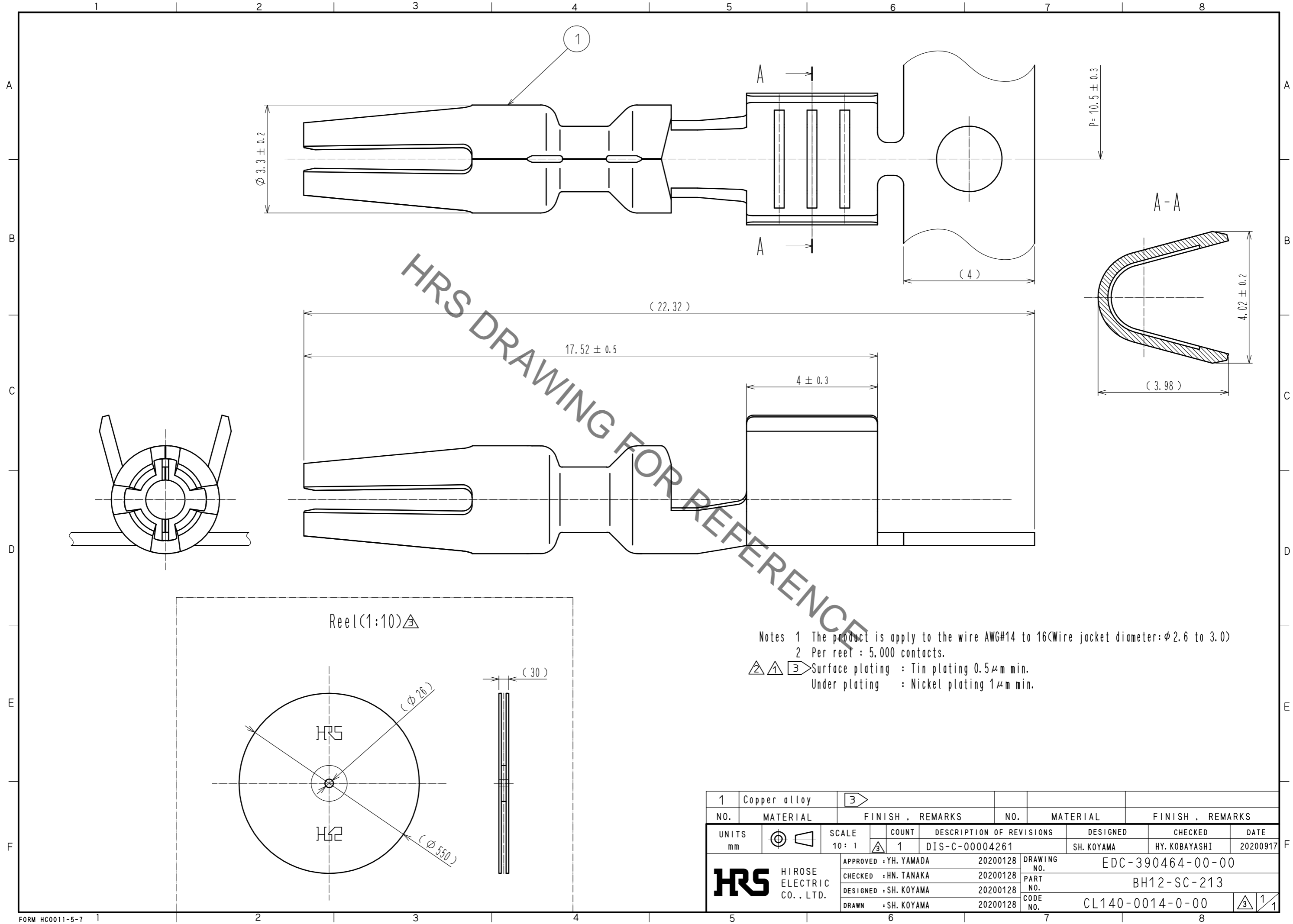


Oct.1.2021 Copyright 2021 HIROSE ELECTRIC CO., LTD. All Rights Reserved.
 In case of consideration for using Automotive equipment / device which demand high reliability, kindly contact our sales window correspondents.



HRS DRAWING FOR REFERENCE

Notes 1 The product is apply to the wire AWG#14 to 16 (Wire jacket diameter: $\phi 2.6$ to 3.0)
 2 Per reel : 5,000 contacts.
 ② ① ③ Surface plating : Tin plating $0.5 \mu\text{m}$ min.
 Under plating : Nickel plating $1 \mu\text{m}$ min.

1	Copper alloy	③					
NO.	MATERIAL	FINISH . REMARKS	NO.	MATERIAL	FINISH . REMARKS		
UNITS	①	SCALE	COUNT	DESCRIPTION OF REVISIONS		DESIGNED	CHECKED
mm	②	10:1	④ 1	DIS-C-00004261		SH. KOYAMA	HY. KOBAYASHI
APPROVED : YH. YAMADA		20200128	DRAWING NO.		EDC-390464-00-00		
CHECKED : HN. TANAKA		20200128	PART NO.		BH12-SC-213		
DESIGNED : SH. KOYAMA		20200128	CODE NO.		CL140-0014-0-00		
DRAWN : SH. KOYAMA		20200128			③ 1/1		