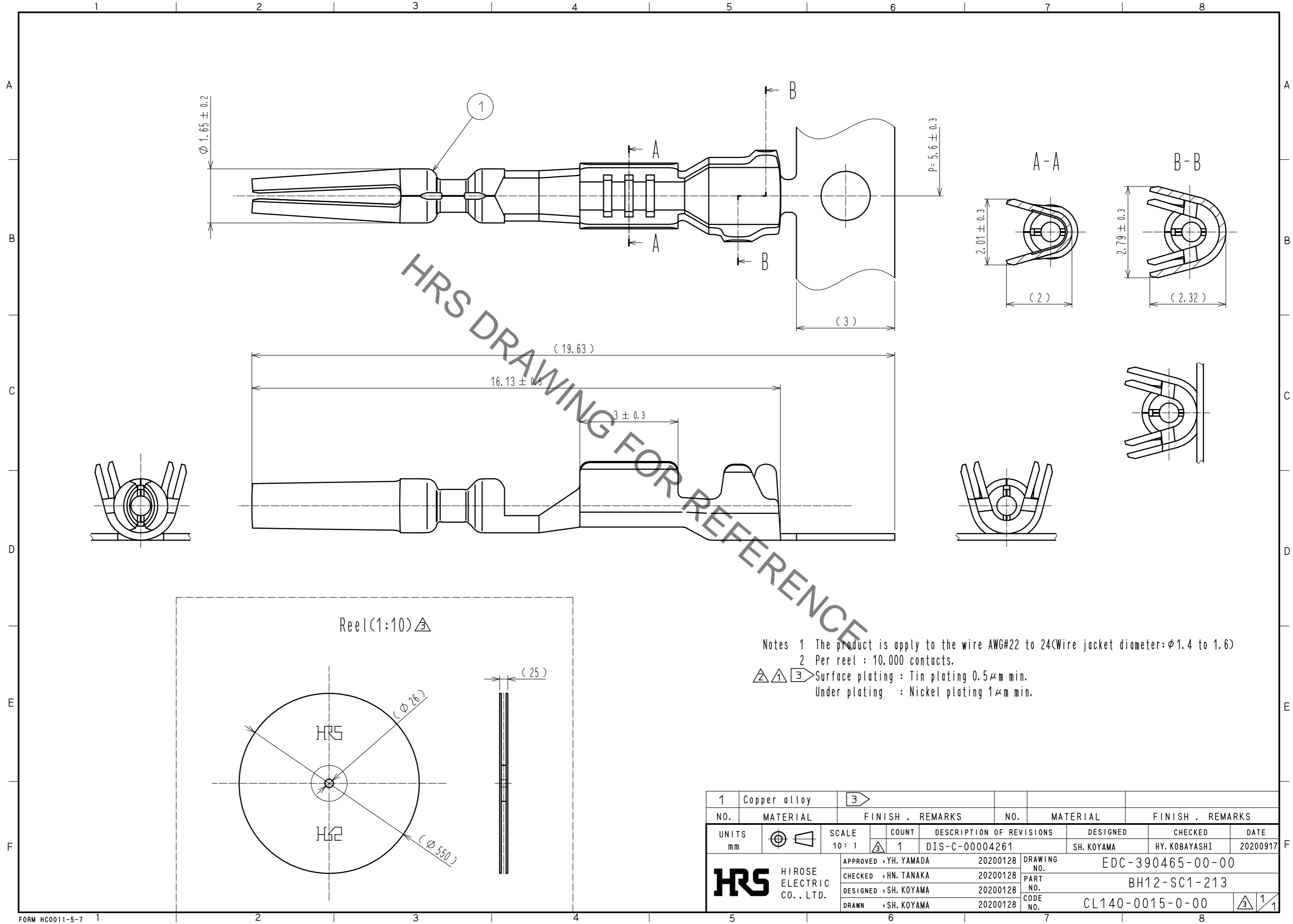


Oct.1.2021 Copyright 2021 HIROSE ELECTRIC CO., LTD. All Rights Reserved.
 In case of consideration for using Automotive equipment / device which demand high reliability, kindly contact our sales window correspondents.



Notes 1 The product is apply to the wire AWG#22 to 24(Wire jacket diameter: $\phi 1.4$ to 1.6)
 2 Per reel : 10,000 contacts.
 △ △ ③ Surface plating : Tin plating $0.5\mu\text{m}$ min.
 Under plating : Nickel plating $1\mu\text{m}$ min.

1	Copper alloy	③					
NO.	MATERIAL	FINISH .	REMARKS	NO.	MATERIAL	FINISH .	REMARKS
UNITS	mm	SCALE	10 : 1	COUNT	1	DESCRIPTION OF REVISIONS	DIS-C-00004261
						DESIGNED	SH. KOYAMA
						CHECKED	HY. KOBAYASHI
						DATE	20200917
HRS HIROSE ELECTRIC CO., LTD.		APPROVED	YH. YAMADA	20200128	DRAWING NO.	EDC-390465-00-00	
		CHECKED	HN. TANAKA	20200128	PART NO.	BH12-SC1-213	
		DESIGNED	SH. KOYAMA	20200128	CODE NO.	CL140-0015-0-00	
		DRAWN	SH. KOYAMA	20200128			