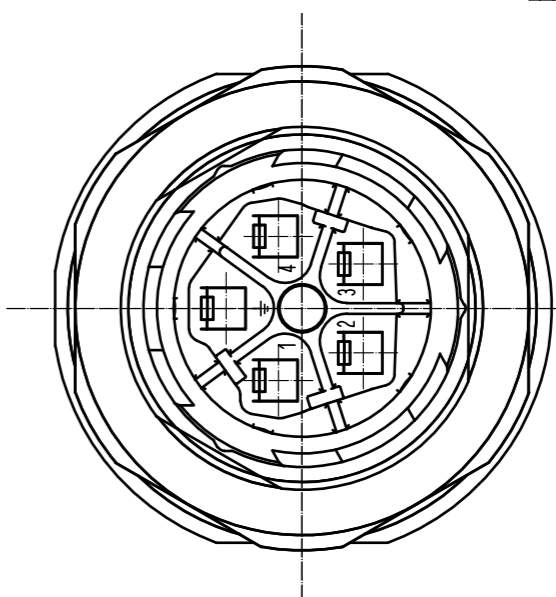
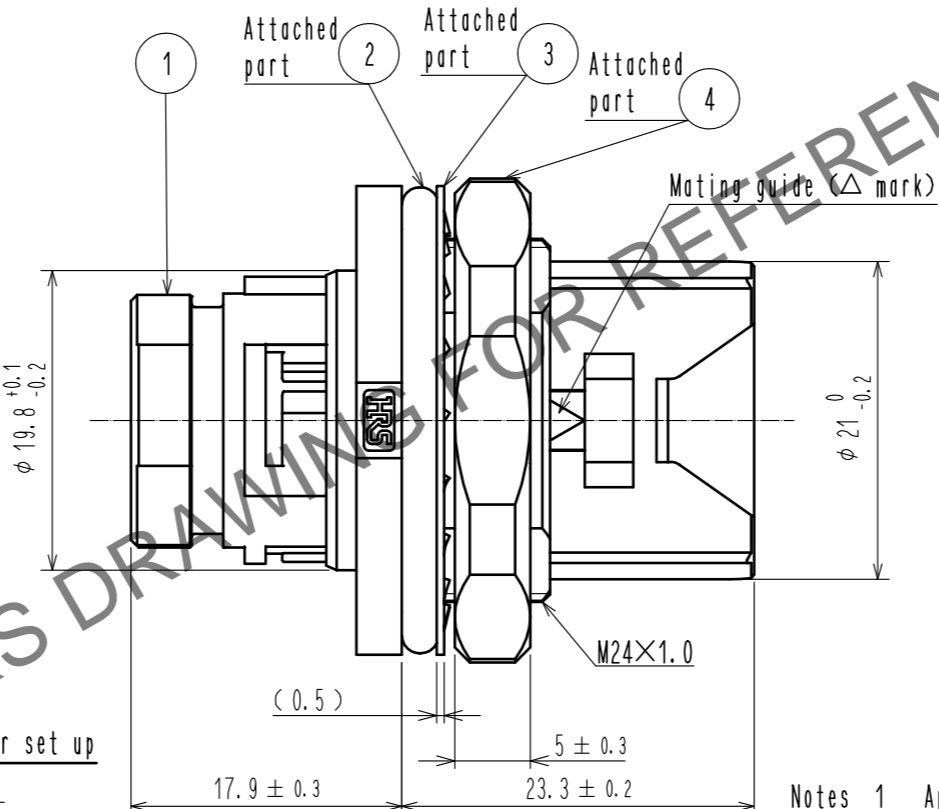
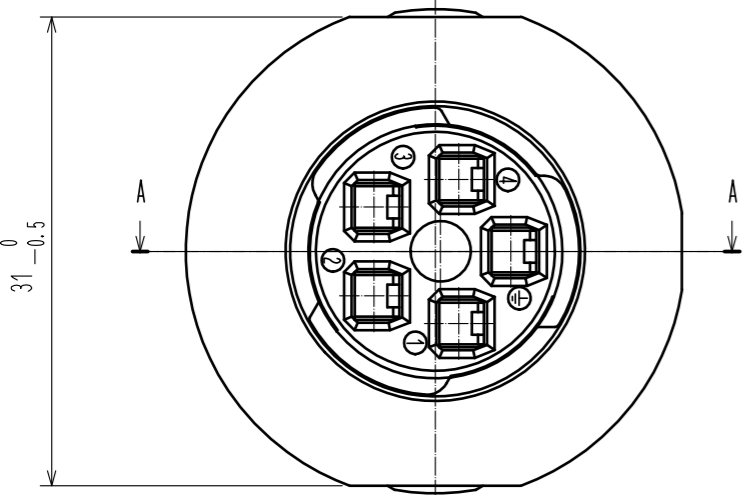
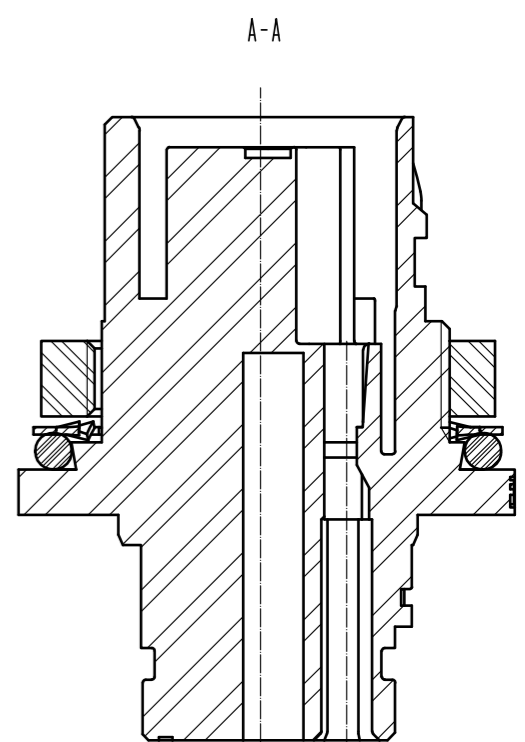
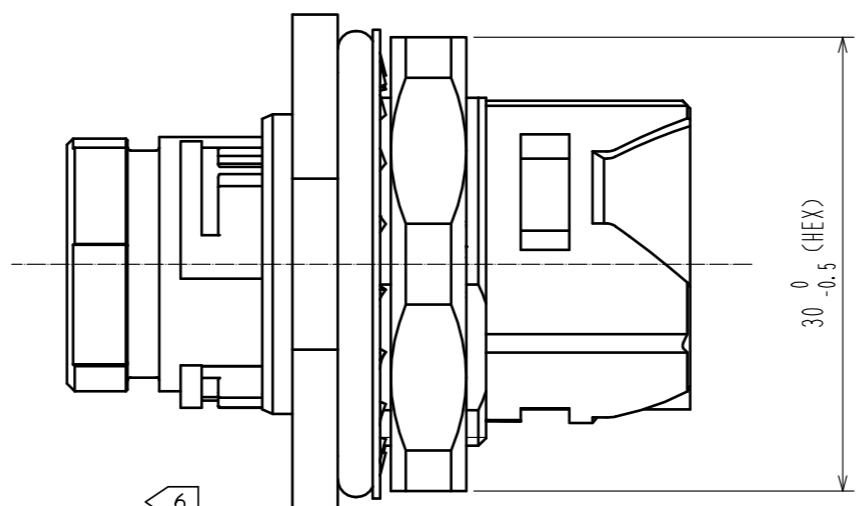
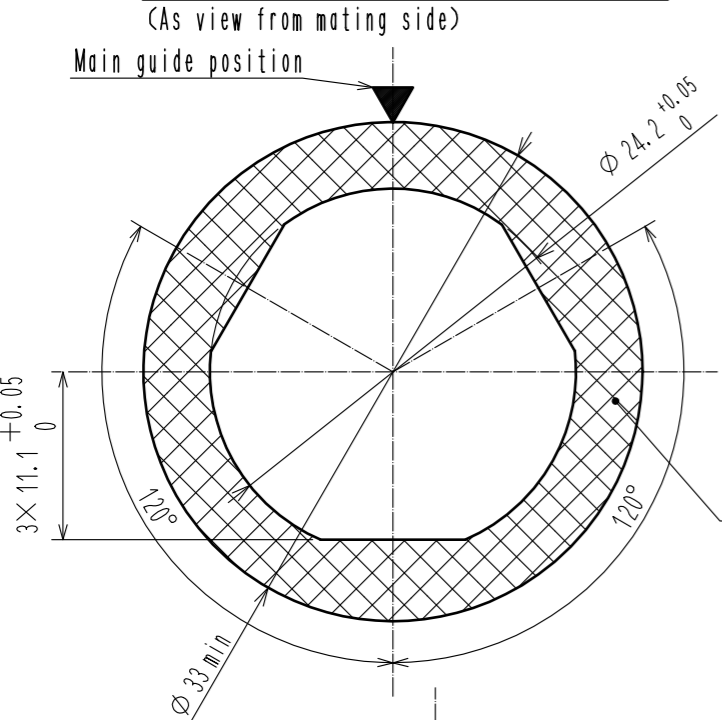
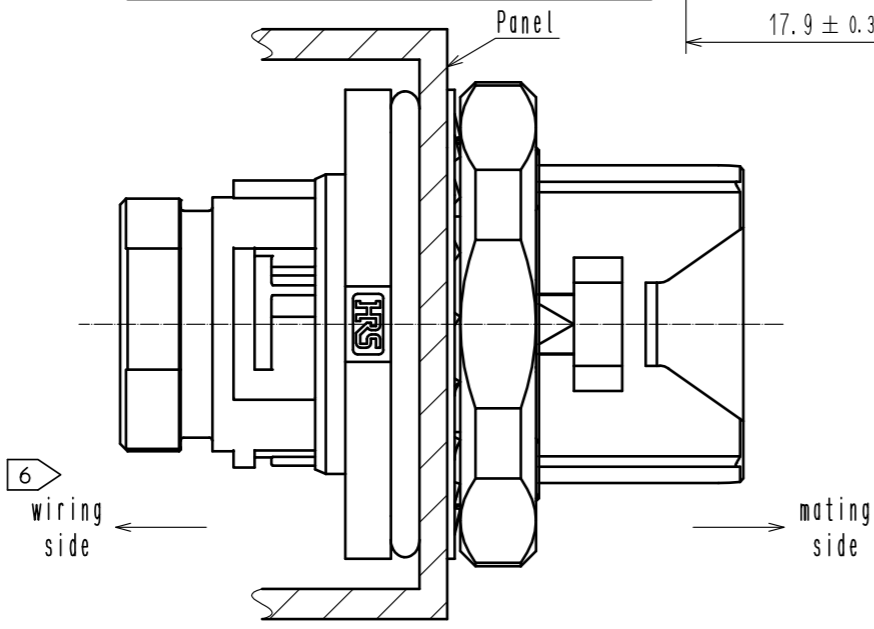


Jan.1.2025 Copyright 2025 HIROSE ELECTRIC CO., LTD. All Rights Reserved.
In case of consideration for using Automotive equipment / device which demand high reliability, kindly contact our sales window correspondents.

4 Fig.1 The recommended panel dimension(t=2.0(MAX))
(As view from mating side)



5 Fig.2 The state applicable connector set up



- Notes
- 1 Applicable crimping contact: JRC-PC-112 (CL114-0239-6)
 - 2 Applicable crimp contact extraction tool: HR41A-TP (CL150-0405-7)
 - 3 The recommended tightening torque of Ref.No. ④ to be 3 N·m.
 - 4 Fig.1 shows the recommended panel dimension.
 - 5 Fig.2 shows the state applicable connector set up.
When connector set up, it in order of Ref.No. ②, panel, Ref.No. ③, Ref.No. ④.
Please check Ref.No. ② is properly set at the groove of Ref.No. ①.
While mounting the connector, make sure that Ref.No. ② is not caught.
 - 6 The surface roughness of the cross-hatched part should be applied to the wiring side.

2	Silicone rubber	(Red)	4	PBT	(Black)
1	PBT	(Black)	3	Stainless steel	
NO.	MATERIAL	FINISH . REMARKS	NO.	MATERIAL	FINISH . REMARKS
UNITS	mm	SCALE	2 : 1	COUNT	1
DESCRIPTION OF REVISIONS			DESIGNED	CHECKED	DATE
DIS-C-00011650			SH. KOYAMA	EJ. KUNII	20220621
APPROVED : TP. KOMATSU			20220301	DRAWING NO. EDC-118141-81-00	
CHECKED : EJ. KUNII			20220301	PART NO. HR41A-17WBRA-5PC(81)	
DESIGNED : SH. KOYAMA			20220228	CODE NO. CL0141-0201-6-81	
DRAWN : SH. KOYAMA			20220228	1/1	