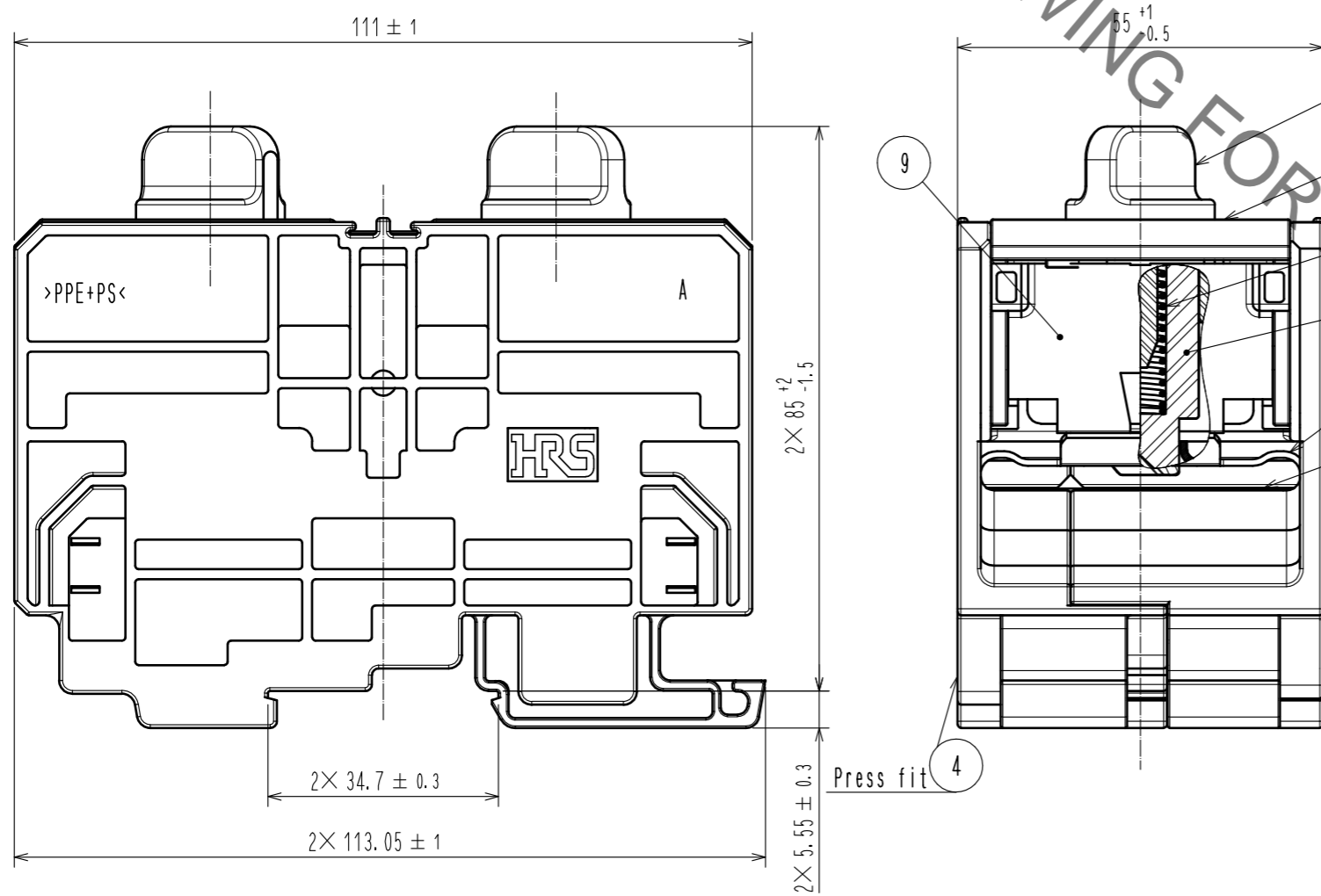
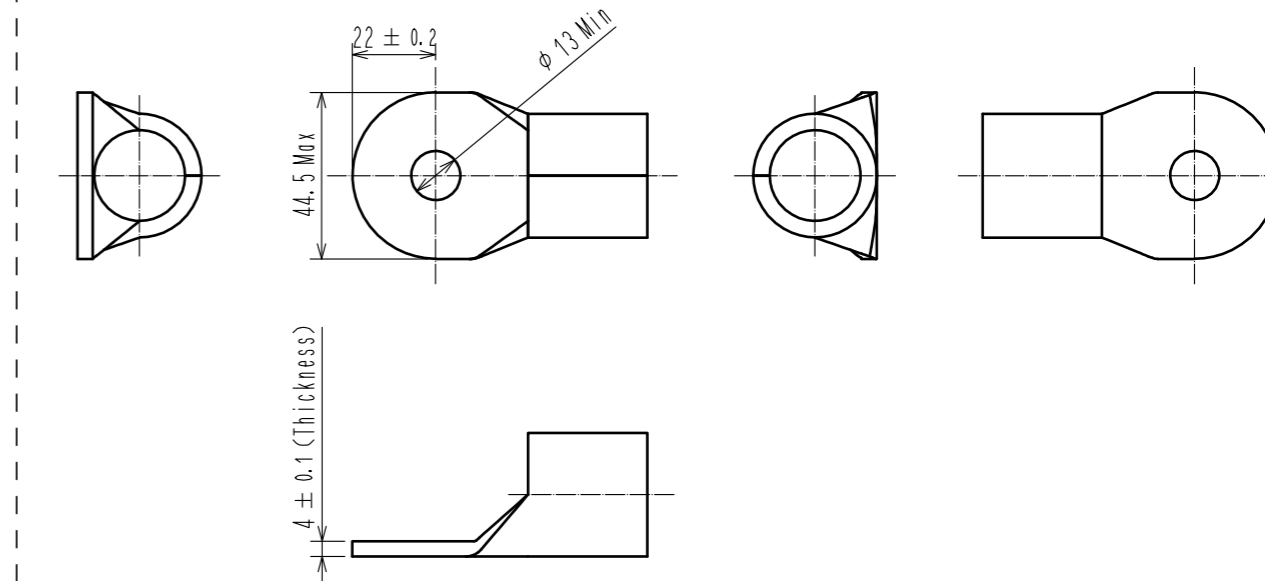
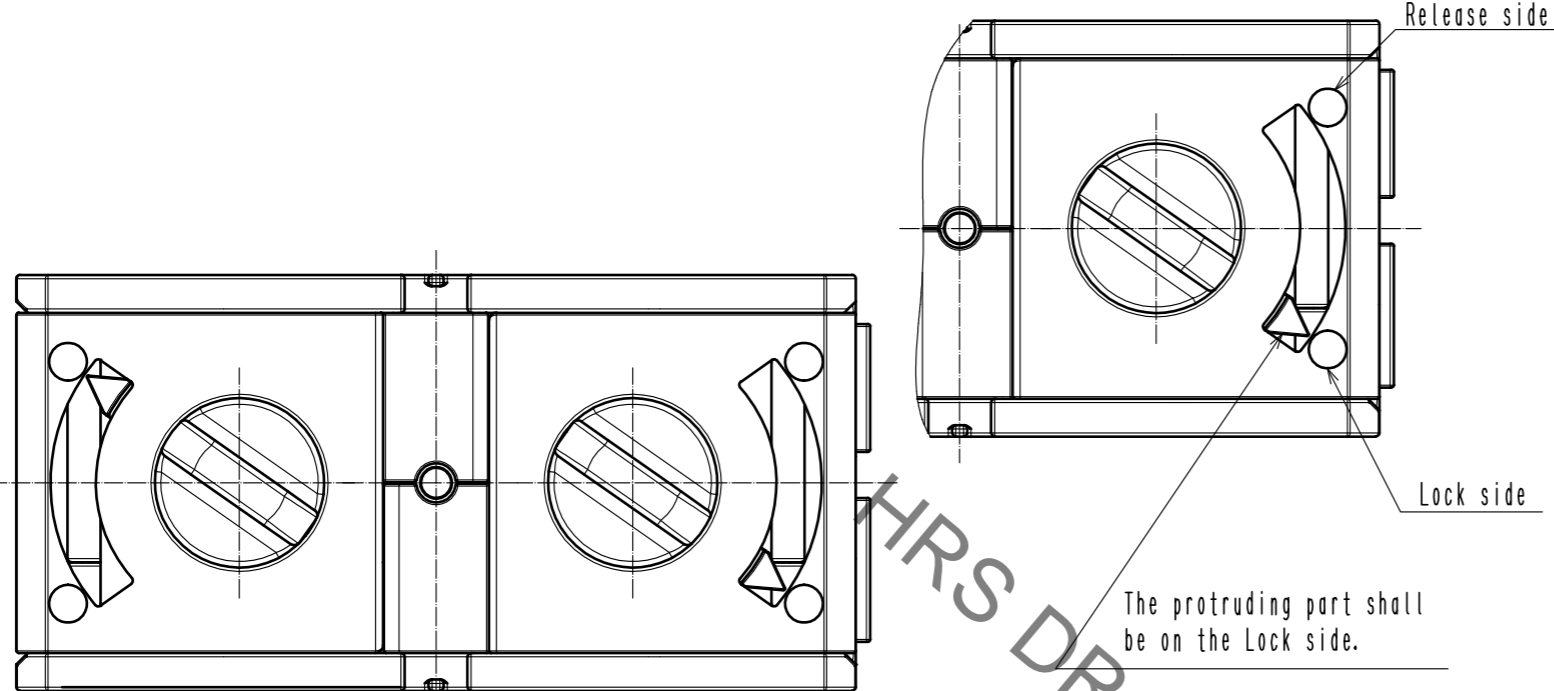


May.1.2021 Copyright 2021 HIROSE ELECTRIC CO., LTD. All Rights Reserved.
In case of consideration for using Automotive equipment / device which demand high reliability, kindly contact our sales window correspondents.

Figure.1 Locked State External View

Figure.2 Applicable Contact (Commercial item)(Free)



- Notes
- This product should be handled in accordance with the EF2 series guideline ATAD-C0387-00.
 - Applicable crimp contacts:
NICHIFU CO.,LTD R200-12S J. S.T.MFG.CO.,LTD R200-12 or equivalent.
 - Applicable crimping tool: JIS-C-9711 MAXELL IZUMI CO.,LTD REC-Li325.
 - When inserting the contact, please do so until Ref. No. ⑥ rotates back to its original position (shown in Figure.1 Locked State External View).
Furthermore, lightly pull the cable to confirm that the contact is locked and mated.
 - Points to note before use:
 - Use only tin coated material.
 - Please check that dimensions satisfy those of Figure.2 and that there is no deformation, dirt etc., or abnormal contact resistance value.
 - Insertion and withdrawal forces, as well as contact resistance values could change due to the quality of the coating. Therefore, please evaluate beforehand.
- Warning 6. This product is not hot pluggable.
- Warning 7. Keep your fingers and other conductors from coming into contact with the electrically charged parts in order to avoid electrical shock or a short circuit.

5	PBT	(Black) UL94V-0			
4	m-PPE	(Black) UL94V-0	9	m-PPE	(Black) UL94V-0
3	m-PPE	(Black) UL94V-0	8	m-PPE	(Black) UL94V-0
2	Copper	Tin plating 1μm min	7	Stainless steel	
1	Stainless steel		6	PBT	(Red) UL94V-0
NO.	MATERIAL	FINISH . REMARKS	NO.	MATERIAL	FINISH . REMARKS

UNITS mm		SCALE 1 : 1	COUNT 	DESCRIPTION OF REVISIONS	DESIGNED	CHECKED	DATE
HIROSE ELECTRIC CO., LTD.				APPROVED : TP. KOMATSU 20200304 CHECKED : TP. KOMATSU 20200227 DESIGNED : EK. KIDO 20200226 DRAWN : EK. KIDO 20200226	DRAWING NO. EDC-385257-00-00 PART NO. EF2A-D400B-1 CODE NO. CL142-0225-0-00		