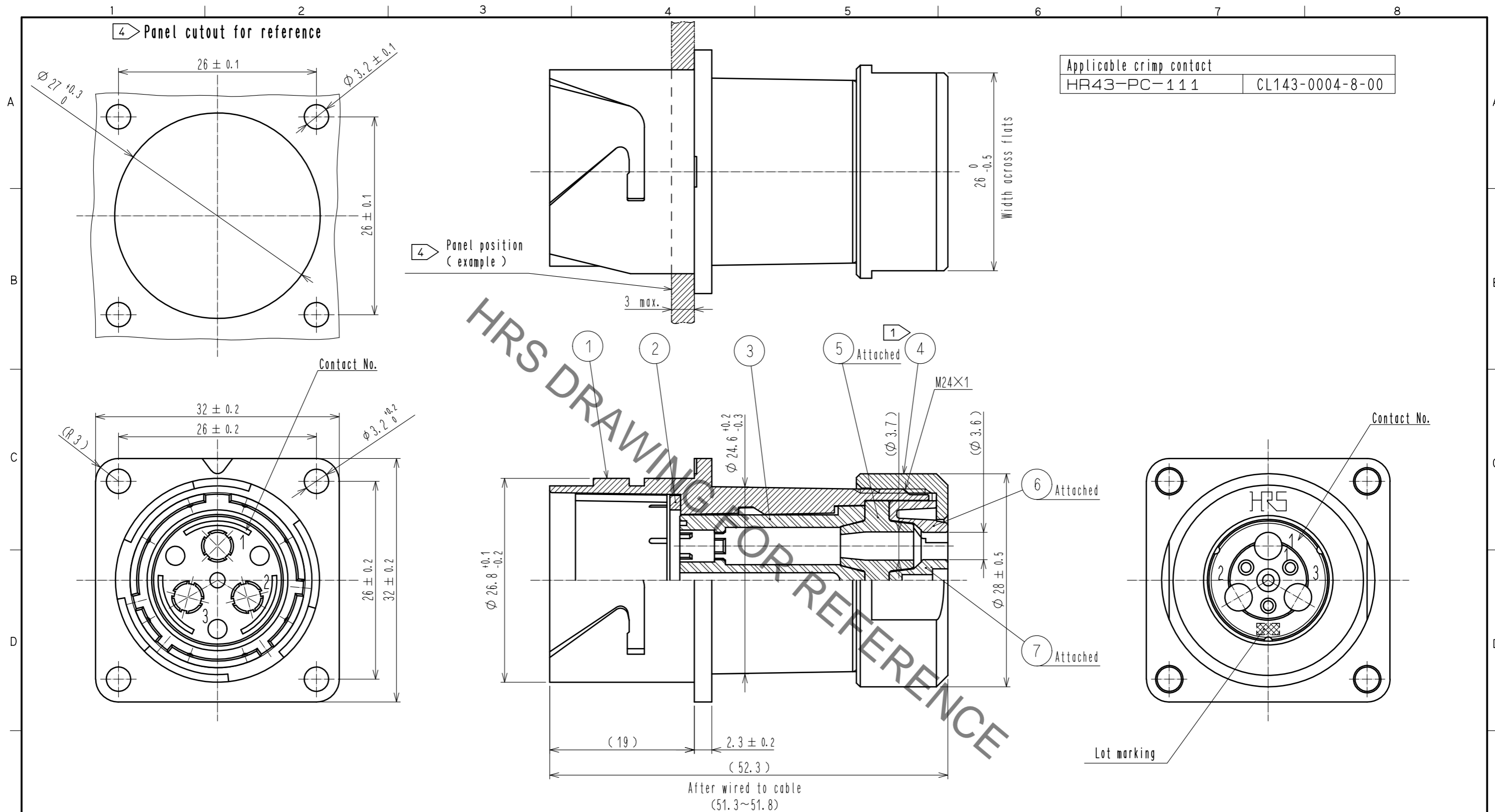


Feb.1.2021 Copyright 2021 HIROSE ELECTRIC CO., LTD. All Rights Reserved.
In case of consideration for using Automotive equipment / device which demand high reliability, kindly contact our sales window correspondents.



Applicable crimp contact	
HR43-PC-111	CL143-0004-8-00

- Notes
- 1 The recommended tightening torque of REF. No. ④ : 7 to 7.5 N·m.
Thread locker to the threaded portion of REF. No. ④ is recommended to prevent loosening.
The recommended thread locker : LOCTITE 243, HENKEL JAPAN CO. LTD.
 2. Rotation examples are shown for REF. No. ① and ④.
 3. The cable pull and twisting strength, waterproof tightness, and other characteristics may differ, depending on the cable structure, please confirm before the use.
 - ④ Panel cutout is an example to case of fixing mating side.
 5. Applicable mating connector : HR43-21WBP-3SC (CL143-0001-0).

NO.	MATERIAL	FINISH .	REMARKS	NO.	MATERIAL	FINISH .	REMARKS
4	Aluminum alloy	Chrome plating		7	PBT	Black	
3	PBT	Black		6	PBT	Black	
2	Silicone rubber	Black		5	Silicone rubber	Black	
1	Aluminum alloy	Chrome plating					

UNITS	SCALE	COUNT	DESCRIPTION OF REVISIONS	DESIGNED	CHECKED	DATE
mm	2 : 1	△				
APPROVED : HY. KOBAYASHI			16.04.01	DRAWING NO. EDC-117730-00-00		
CHECKED : HY. KOBAYASHI			16.04.01	PART NO. HR43-21WBJ-3PC		
DESIGNED : TH. KAMEYA			16.03.31	CODE NO. CL143-0002-2-00		
DRAWN : TH. KAMEYA			16.03.31			