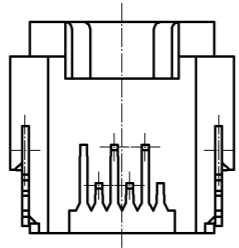
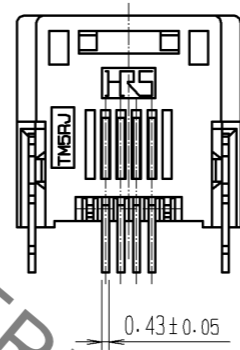
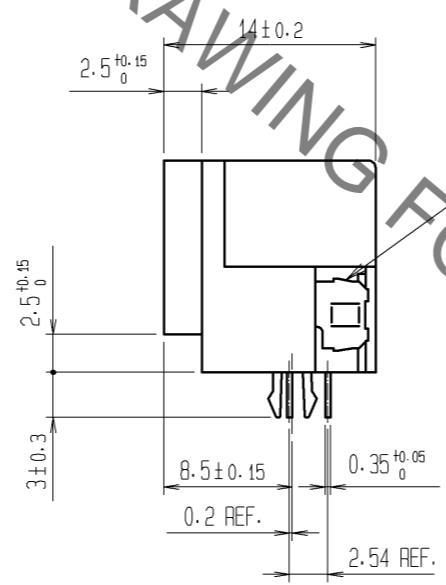
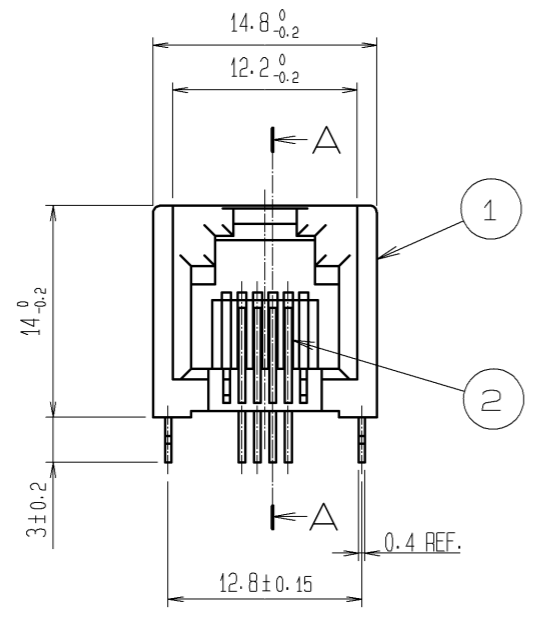
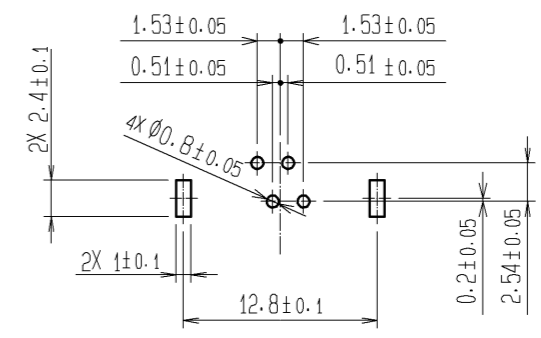
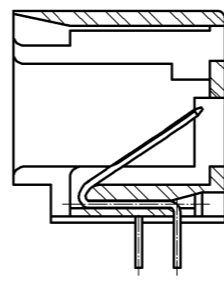
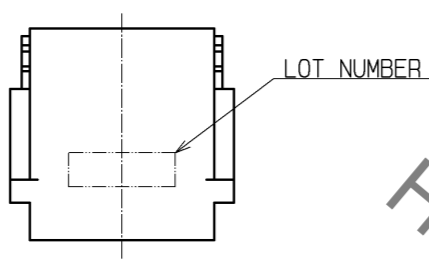


Oct.1.2021 Copyright 2021 HIROSE ELECTRIC CO., LTD. All Rights Reserved.  
 In case of consideration for using Automotive equipment / device which demand high reliability, kindly contact our sales window correspondents.

A  
B  
C  
D  
E  
F

A-A

RECOMMENDED PC BOARD HOLE PATTERN  
 t1.6mm(MOUNTING SIDE)



HRS DRAWING FOR REFERENCE

1	PBT	UL94V-0. (GRAY)	3	PHOSPHOR BRONZE	SURFACE PLATING : TIN PLATING 1µm MIN. REFLOW FINISH			
2	PHOSPHOR BRONZE	CONTACT AREA : GOLD PLATING 1.27µm MIN. LEAD AREA : GOLD PLATING 0.03µm MIN. UNDER PLATING : NICKEL PLATING 1.27µm MIN.						
NO.	MATERIAL	FINISH . REMARKS	NO.	MATERIAL	FINISH . REMARKS			
UNITS mm		SCALE 2 : 1	COUNT 	DESCRIPTION OF REVISIONS		DESIGNED	CHECKED	DATE
<b>HRS</b> HIROSE ELECTRIC CO., LTD.		APPROVED : YH. ENAMI	10.02.24	DRAWING NO. EDC3-023897-02				
		CHECKED : HO. MIWA	10.02.24	PART NO. TM5RJ1-64(50)				
		DESIGNED : HN. ANDO	10.02.23	CODE NO. CL222-1244-4-50				
		DRAWN : HN. ANDO	10.02.23					