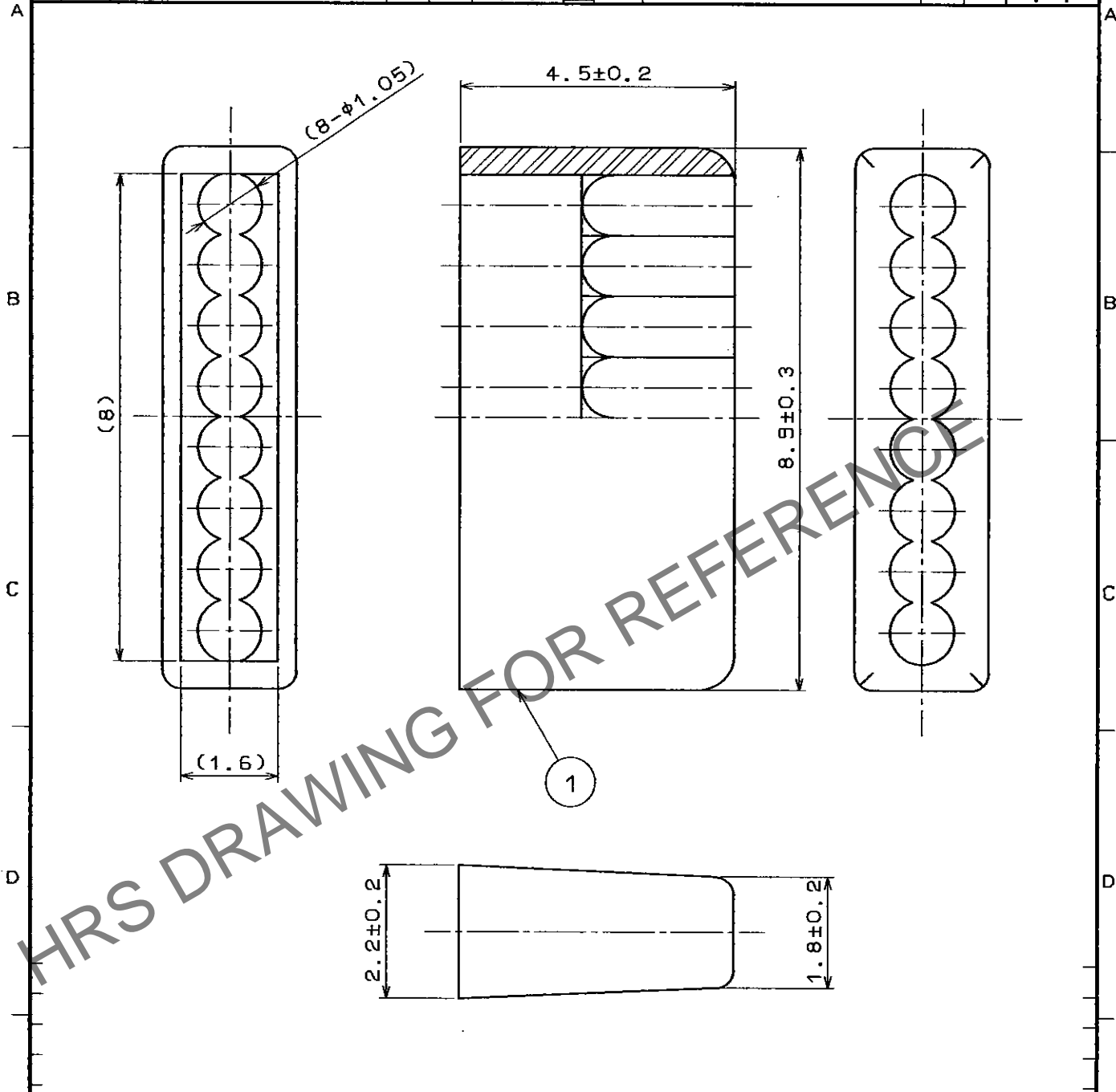


Feb. 1. 2025 Copyright 2025 HIROSE ELECTRIC CO., LTD. All Rights Reserved.
 In case of consideration for using Automotive equipment / device which demand high reliability, kindly contact our sales window correspondents.

1					2					3					4				
COUNT	DESCRIPTION OF REVISIONS				BY	CHKD	DATE	COUNT	DESCRIPTION OF REVISIONS				BY	CHKD	DATE				
△							..	△							..				
△							..	△							..				
△							..	△							..				



NOTE 1. () INDICATES THE REFERENCE DIMENSIONS.

NO.		MATERIAL		FINISH, REMARKS		1		POLYCARBONATE		TRANSPARENCY	
CODE NO. (OLD)		DRAWN		DESIGNED		CHECKED		APPROVED		RELEASED	
		<i>S. Sato</i>		<i>S. Sato</i>		<i>J. Watanabe</i>		<i>S. Sato</i>			
		'96.05.15		'96.05.15		'96.05.15		96.5.17			
DRAWING NO.		PART NO.		CODE NO.						1/1	
EDC4-025515		TM11P-88P(22)		CL222-1328-2-22							
UNITS mm		HIROSE ELECTRIC CO., LTD.									

TO
Q2