

# MODULAR CONNECTORS

CL 222 TM

## Six-conductor plug with straight cover

### Material · Finish

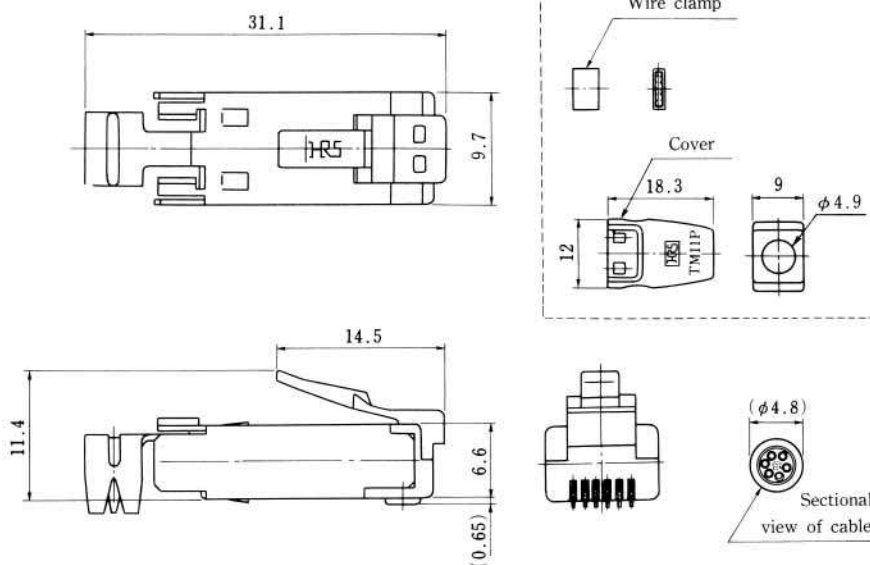
Part name	Material	Finish
Plug case	Polycarbonate	Clear
Terminal	Phosphor Bronze	Gold plated
Cover	Polycarbonate	Beige

Applicable Cable	
Conductor diameter	Copper foil or AWG#26
Insulator diameter	0.9 ~ 1.0

### Electrical Performance

Item	Condition	Specification
Current rating	Per pin	0.5A
Voltage rating	Per pin	125V AC
Insulation Resistance	100V DC	100 M Min.
Withstanding Voltage	1 minute	500V r.m.s AC

TM11P-66P( \* \* )



CL No.	Part No.	Cover Color	RoHS
222-2149-9-50	TM11P-66P( 50 )	Beige	YES
222-2149-9-53	TM11P-66P( 53 )	Black	

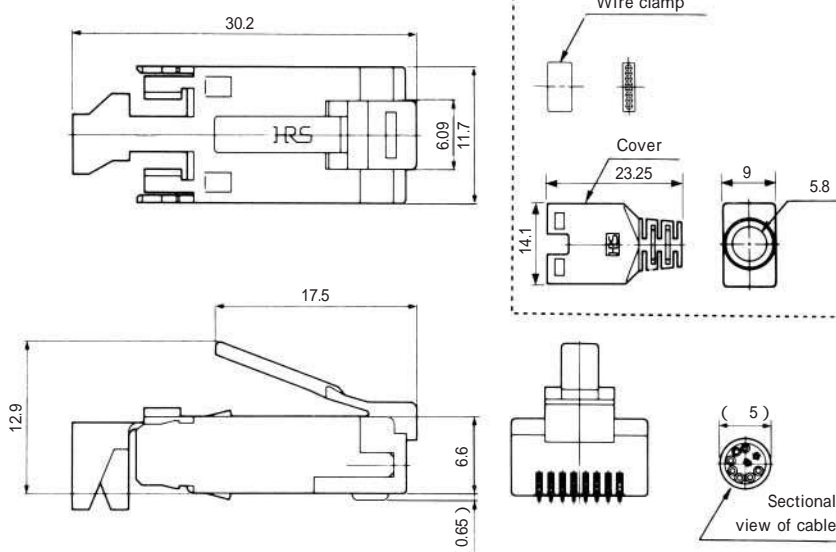
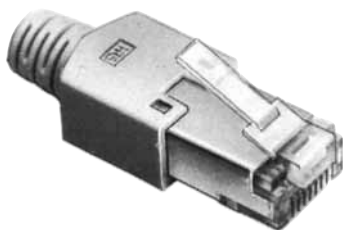
( Number of plugs in package : 100 )

# MODULAR CONNECTORS

CL 222 TM

## Eight-conductor plug with straight cover

TM11AP-88P( \*\* )



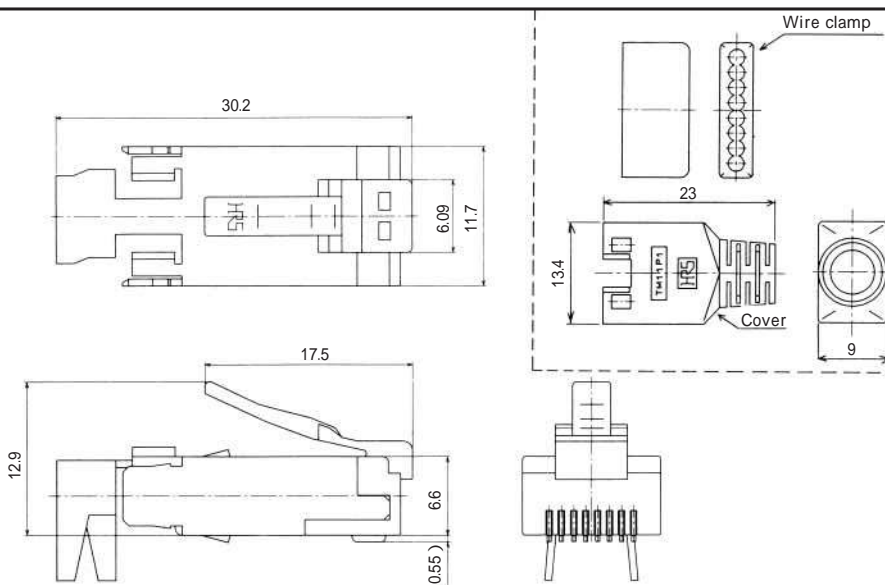
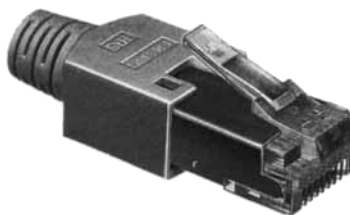
CL No.	Part No.	Cover color	RoHS
222-2780-6	TM11AP-88	Beige	YES
222-2780-6-02	TM11AP-88P( 02 )	Medium gray	
222-2780-6-03	TM11AP-88P( 03 )	Black	
222-2780-6-04	TM11AP-88P( 04 )	Natural light gray	

Note: This plug is NOT intended to be used for gang-jack.

( Number of plugs in package:100 )

## Eight-conductor thin straight plug with cover (For gang-jack)

TM11AP1-88P( \* \* )



CL No.	Part No.	Cover color	RoHS
222-2782-1	TM11AP1-88P	Light beige	YES
222-2782-1-02	TM11AP1-88P( 02 )	Medium gray	
222-2782-1-03	TM11AP1-88P( 03 )	Black	
222-2782-1-04	TM11AP1-88P( 04 )	Natural light gray	
222-2782-1-05	TM11AP1-88P( 05 )	Red	
222-2782-1-06	TM11AP1-88P( 06 )	Green	
222-2782-1-07	TM11AP1-88P( 07 )	Blue	
222-2782-1-08	TM11AP1-88P( 08 )	Yellow	
222-2782-1-09	TM11AP1-88P( 09 )	Orange	

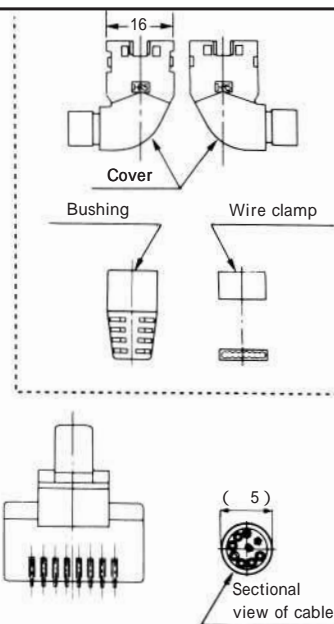
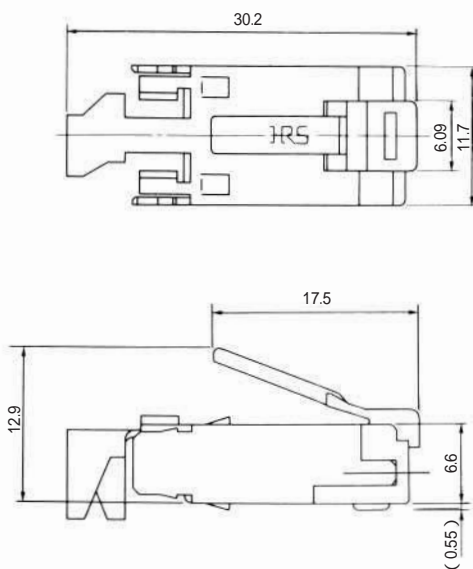
( Number of plugs in package:100 )

# MODULAR CONNECTORS

CL 222 TM

## L-shaped 8-conductor plug with cover

TM11APA-88P( \*\* )



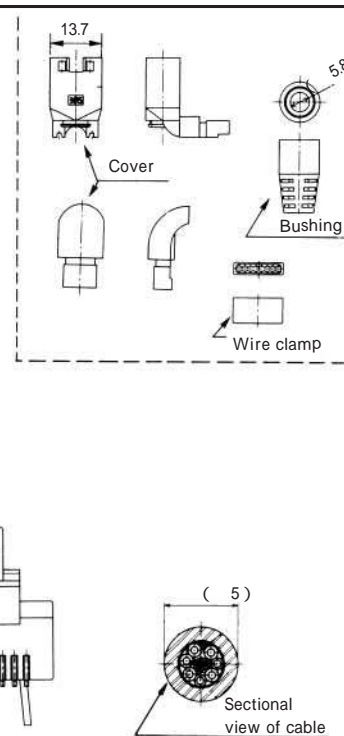
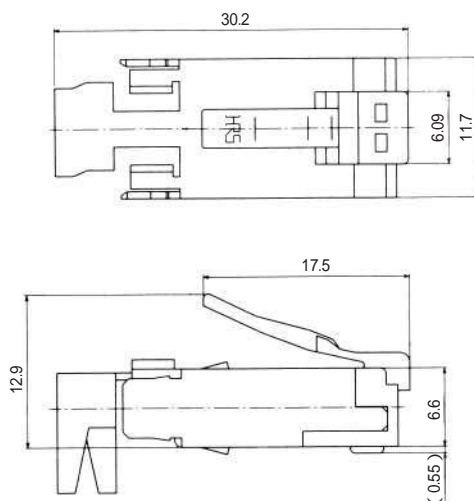
CL No.	Part No.	Cover Color	RoHS
222-2781-9	TM11APA-88P	Light beige	YES
222-2781-9-03	TM11APA-88P(03)	Black	

(Number of plugs in package:100)

## T-shaped 8-conductor plug with cover

TM11APA1-88P( \*\* )

CL No.	Part No.	RoHS
222-2783-4	TM11APA1-88P	YES



Note:Cover standard color is light beige

(Number of plugs in package:100)

# MODULAR CONNECTORS

CL 222 TM

## PLUG WIRING TOOL

Plug \ Jig	For contact/conductor termination		For cable and shield crimping	
	HRS No.	Part No.	HRS No.	Part No.
TM11「J」-66P	CL901-0938-4	Applicator 105-TM11P-66P	CL902-2020-5	TM11P-66P/CCT
	CL901-0001-0	CM-105C	CL902-0132-8	HOS-7
TM11AP「J」-88P	CL902-2532-0	HT603/TM21P-88P	CL902-2532-0	HT603/TM21P-88P

## PLUG ASSEMBLY DRAWING

