

Mar.1.2025 Copyright 2025 HIROSE ELECTRIC CO., LTD. All Rights Reserved.  
In case of consideration for using Automotive equipment / device which demand high reliability, kindly contact our sales window correspondents.

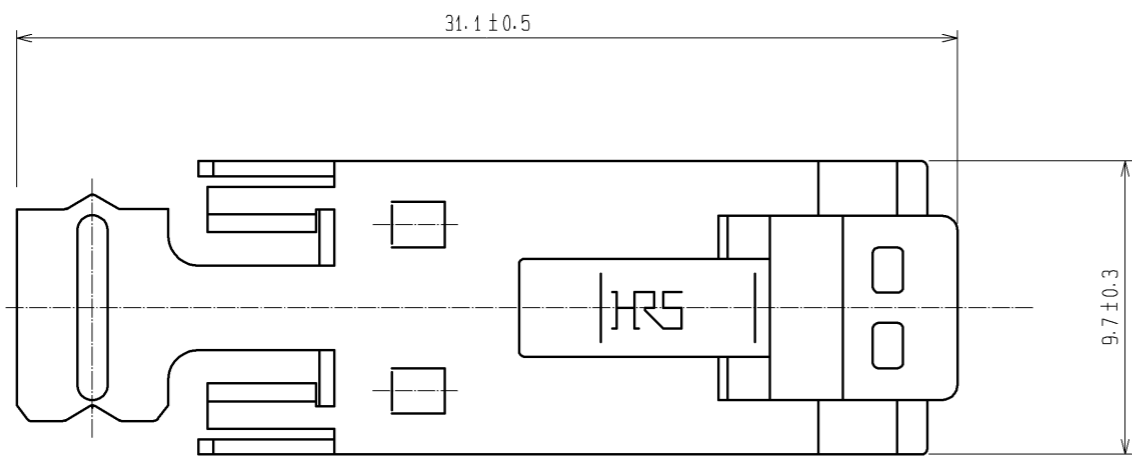
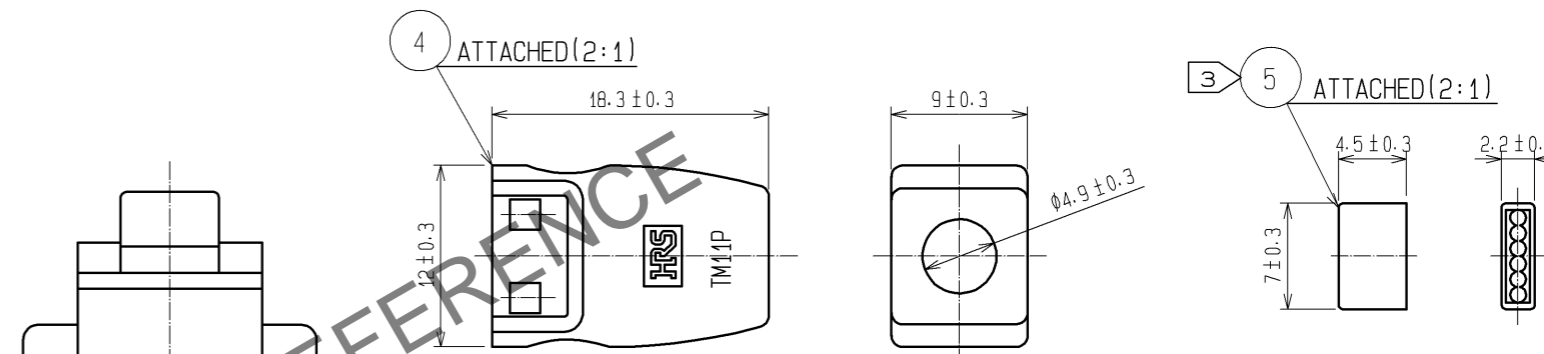
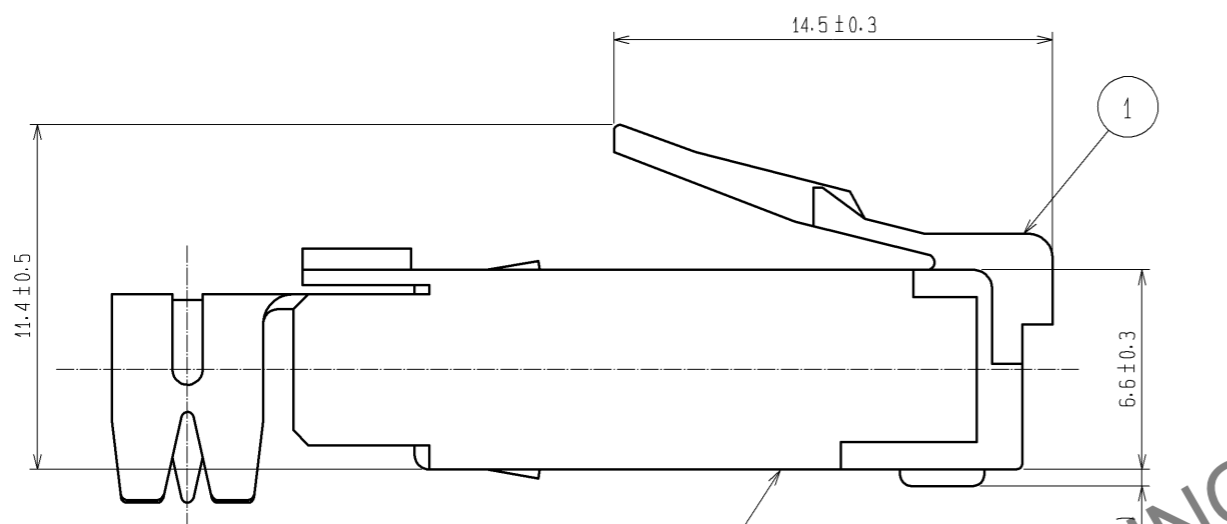
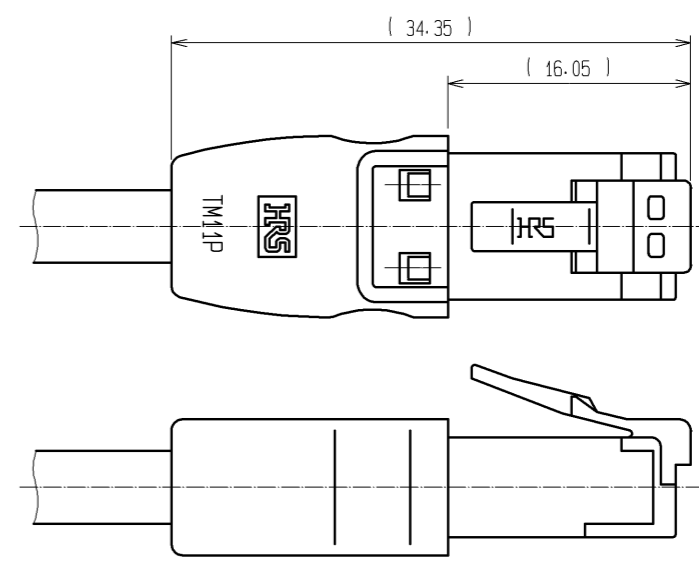


TABLE-1

APPLICABLE CABLE		
	INSULATION (Ømm)	0.90~1.00
	VINYL SHEATH (Ømm)	(4.8) *(1)
	CONDUCTOR	AWG26
	SHIELD	BRAIDED SHIELD



ASSEMBLED (2:1)



NOTES: 1. ( ) INDICATES THE REFERENCE DIMENSIONS.  
 2. APPLICABLE CABLE DIMENSIONS AS SHOWN IN TABLE-1.  
 \*(1) THIS IS FOR REFERENCE.  
 (DIMENSION VARIES ACCORDING TO JACKET HARDNESS.)  
 3. PLEASE USE ACCESSORY AS A GUIDE PLATE AND ASSEMBLE CONNECTOR WITH CABLES INSERTING ACCESSORY INTO CONNECTOR.

3	BRASS	TIN PLATING 1µm min	5	POLYCARBONATE	TRANSPARENCY			
2	PHOSPHOR BRONZE	CONTACT PLATING GOLD 1.27µm min UNDER PLATING NICKEL 2µm min	4	POLYCARBONATE	BLACK			
1	POLYCARBONATE	TRANSPARENCY						
NO.	MATERIAL	FINISH, REMARKS	NO.	MATERIAL	FINISH, REMARKS			
UNITS	mm	SCALE	4 : 1	COUNT	DESCRIPTION OF REVISIONS	DESIGNED	CHECKED	DATE
		APPROVED : HO. MIWA 07.09.29 CHECKED : HO. MIWA 07.09.29 DESIGNED : TS. ITO 07.09.29 DRAWN : TS. ITO 07.09.29		DRAWING NO. EDC3-041197-06 PART NO. TM11P-66P(53) CODE NO. CL222-2149-9-53				