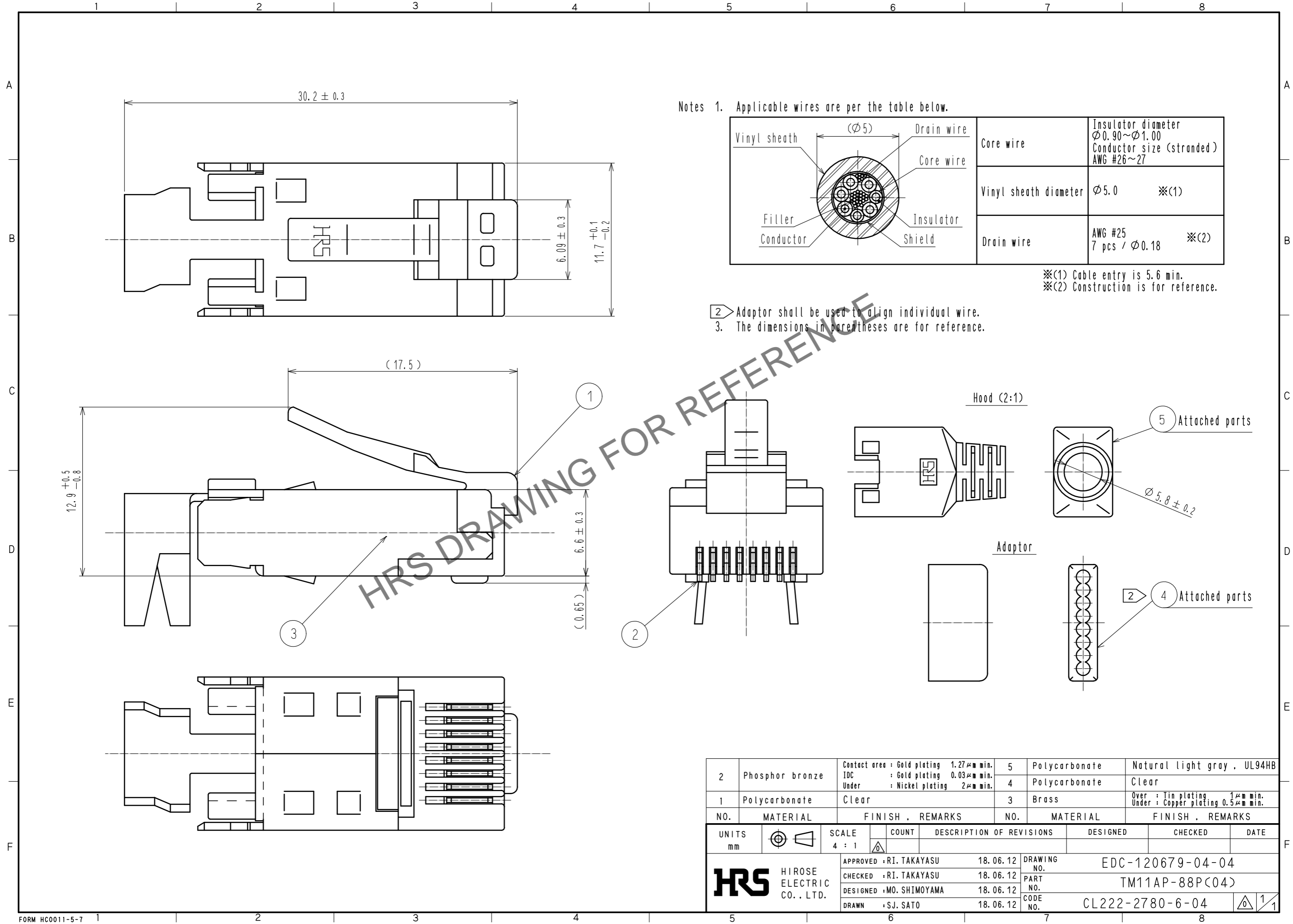


Feb.1.2025 Copyright 2025 HIROSE ELECTRIC CO., LTD. All Rights Reserved.
In case of consideration for using Automotive equipment / device which demand high reliability, kindly contact our sales window correspondents.

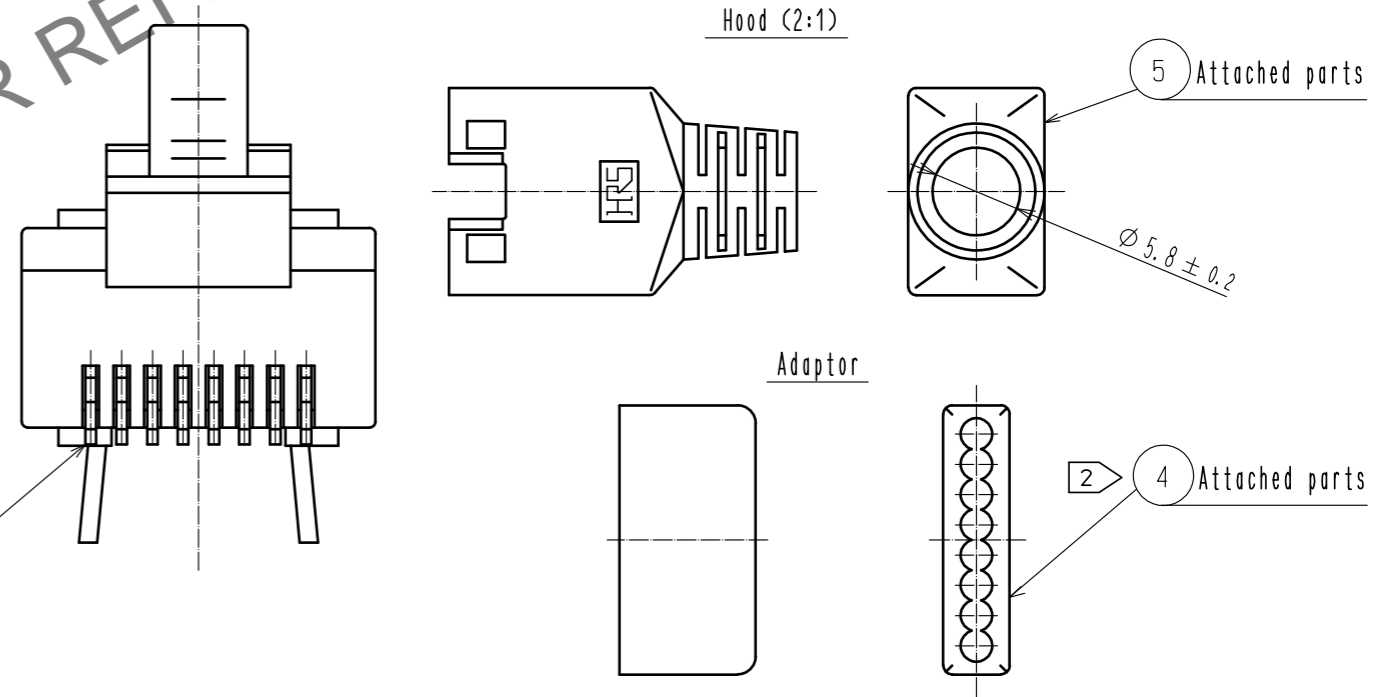


Notes 1. Applicable wires are per the table below.

	Core wire	Insulator diameter $\phi 0.90 \sim \phi 1.00$ Conductor size (stranded) AWG #26~27
	Vinyl sheath diameter	$\phi 5.0$ ※(1)
	Drain wire	AWG #25 7 pcs / $\phi 0.18$ ※(2)

※(1) Cable entry is 5.6 min.
※(2) Construction is for reference.

2 Adaptor shall be used to align individual wire.
3. The dimensions in parentheses are for reference.



2	Phosphor bronze	Contact area : Gold plating 1.27 μ m min. IDC : Gold plating 0.03 μ m min. Under : Nickel plating 2 μ m min.	5	Polycarbonate	Natural light gray . UL94HB
1	Polycarbonate	Clear	4	Polycarbonate	Clear
NO.	MATERIAL	FINISH . REMARKS	NO.	MATERIAL	FINISH . REMARKS
UNITS mm		SCALE 4 : 1	COUNT 	DESCRIPTION OF REVISIONS	DESIGNED
HRS HIROSE ELECTRIC CO., LTD.	APPROVED : RI. TAKAYASU	18.06.12	DRAWING NO.	EDC-120679-04-04	
	CHECKED : RI. TAKAYASU	18.06.12	PART NO.	TM11AP-88P(04)	
	DESIGNED : MO. SHIMOYAMA	18.06.12	CODE NO.	CL222-2780-6-04	
	DRAWN : SJ. SATO	18.06.12			