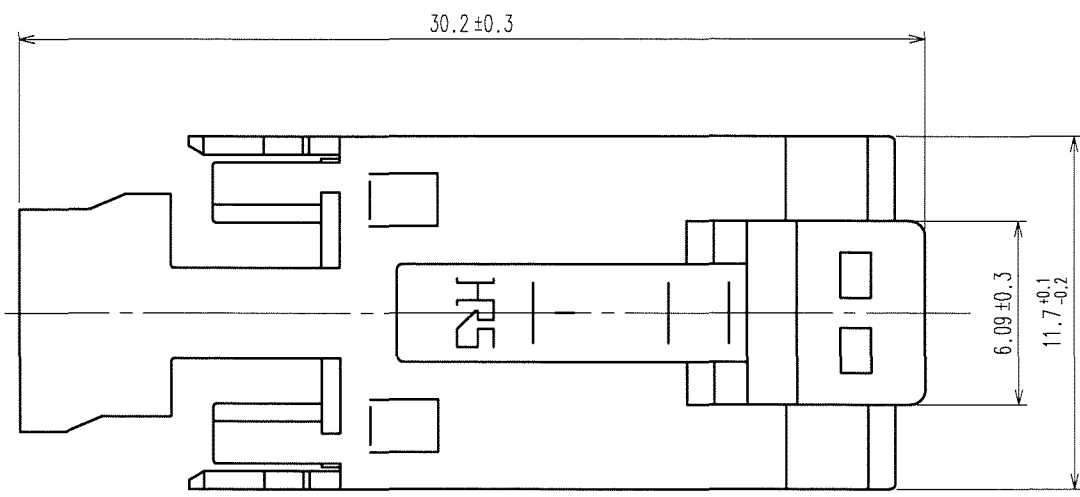
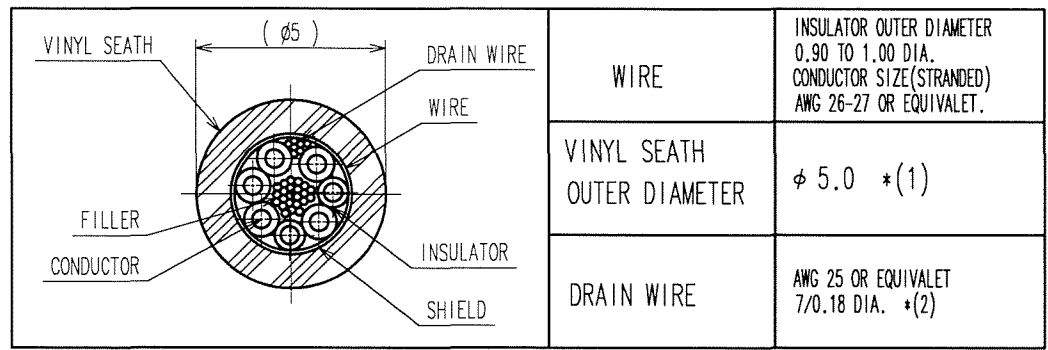


Feb.1.2025 Copyright 2025 HIROSE ELECTRIC CO., LTD. All Rights Reserved.
In case of consideration for using Automotive equipment / device which demand high reliability, kindly contact our sales window correspondents.

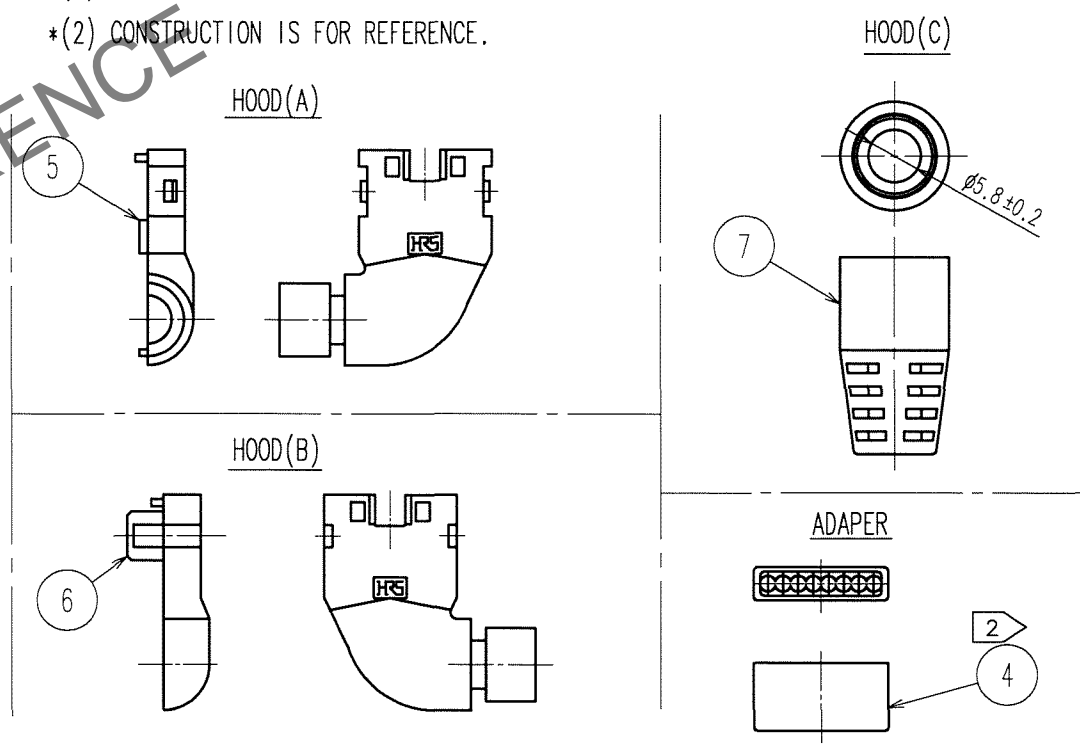
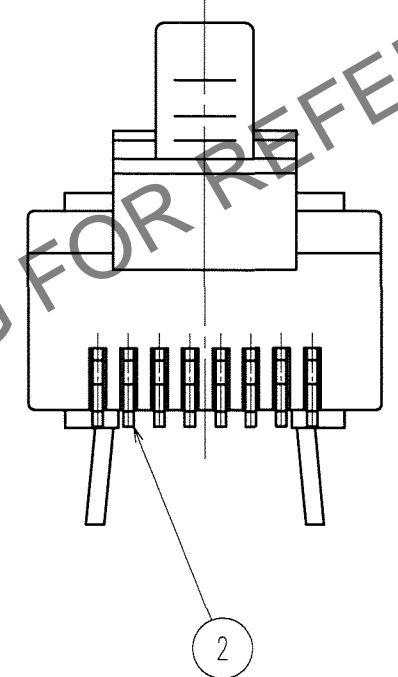
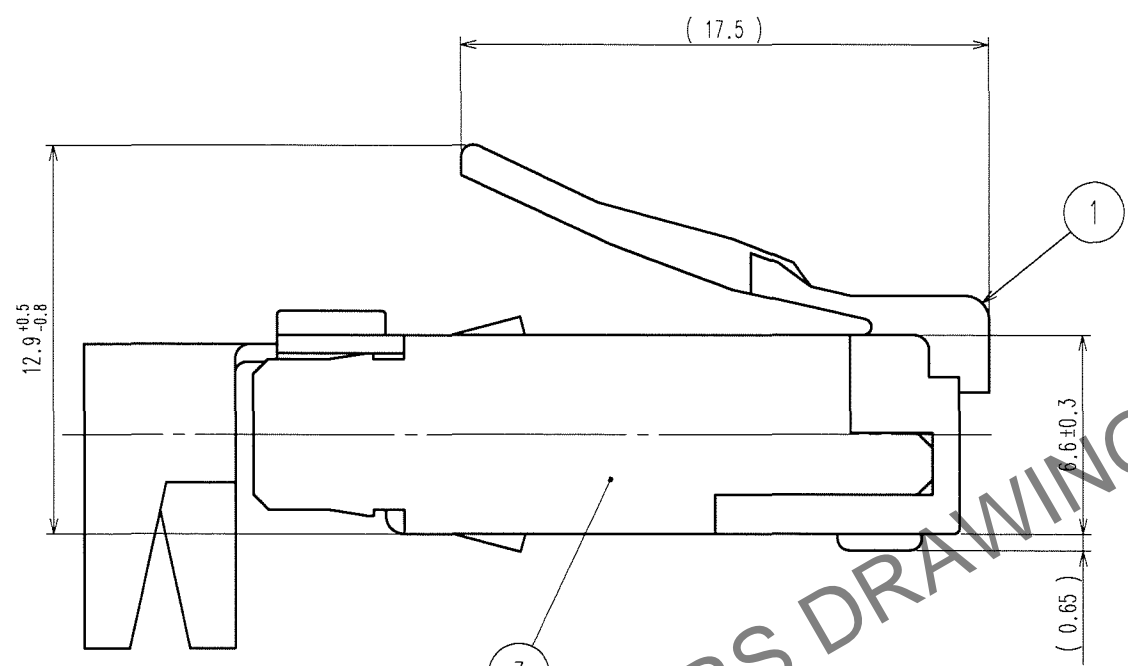
COUNT	DESCRIPTION OF REVISIONS	BY	CHKD	DATE	COUNT	DESCRIPTION OF REVISIONS	BY	CHKD	DATE
2	DIS-E-001346	Y.S	Y.E	07.03.16					



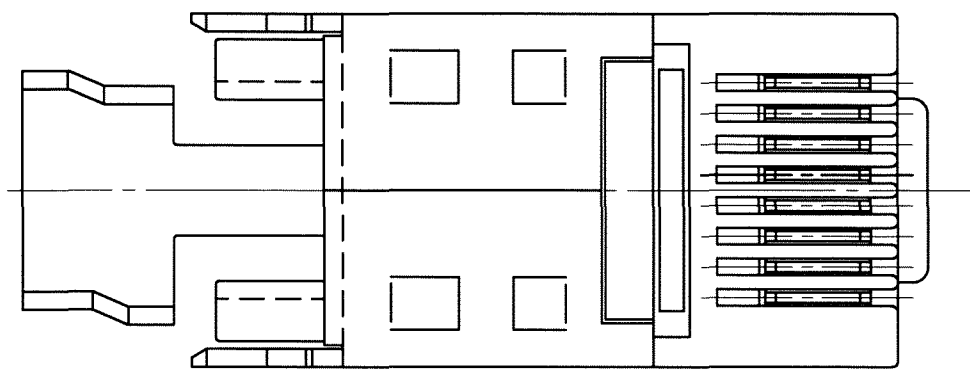
NOTES. 1. APPLICABLE CABLE.



- *(1) CABLE ENTRY IS 5.6 MIN.
- *(2) CONSTRUCTION IS FOR REFERENCE.



- 2 ADAPTER SHALL BE USED TO ALIGN INDIVIDUAL WIRE.
- 3. THE DIMENSION IN PARENTHESIS IS FOR REFERENCE.



TO
Q2

3	BRASS	1	OVER: TIN REFLOW PLATING 1μ m min UNDER: COPPER PLATING 0.5μ m min	7	PVC	BLACK
2	PHOSPHOR BRONZE	1	CONTACT: GOLD PLATING 1.27μ m min TERMINAL: GOLD PLATING 0.03μ m min UNDER: NICKEL PLATING 2μ m min	6	POLYCARBONATE	BLACK
1	POLYCARBONATE		TRANSPARENCY	5	POLYCARBONATE	BLACK
				4	POLYCARBONATE	TRANSPARENCY
NO.	MATERIAL		FINISH, REMARKS	NO.	MATERIAL	FINISH, REMARKS

CODE NO. (OLD)	DRAWN	DESIGNED	CHECKED	APPROVED	RELEASED
	Y.SATO	T.TANIGUCHI	Y.ENAMI	H.MIWA	
	05.09.21	05.10.03	05.10.07	05.10.13	

SCALE	DRAWING NO.	PART NO.
4 : 1	EDC3-120680-01	TM11APA-88P(03)
UNITS	HIROSE ELECTRIC CO., LTD	CODE NO.
mm		CL222-2781-9-03