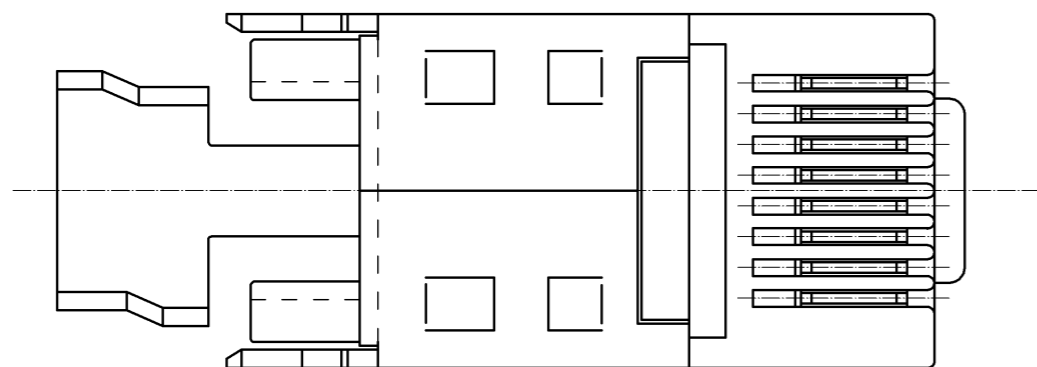
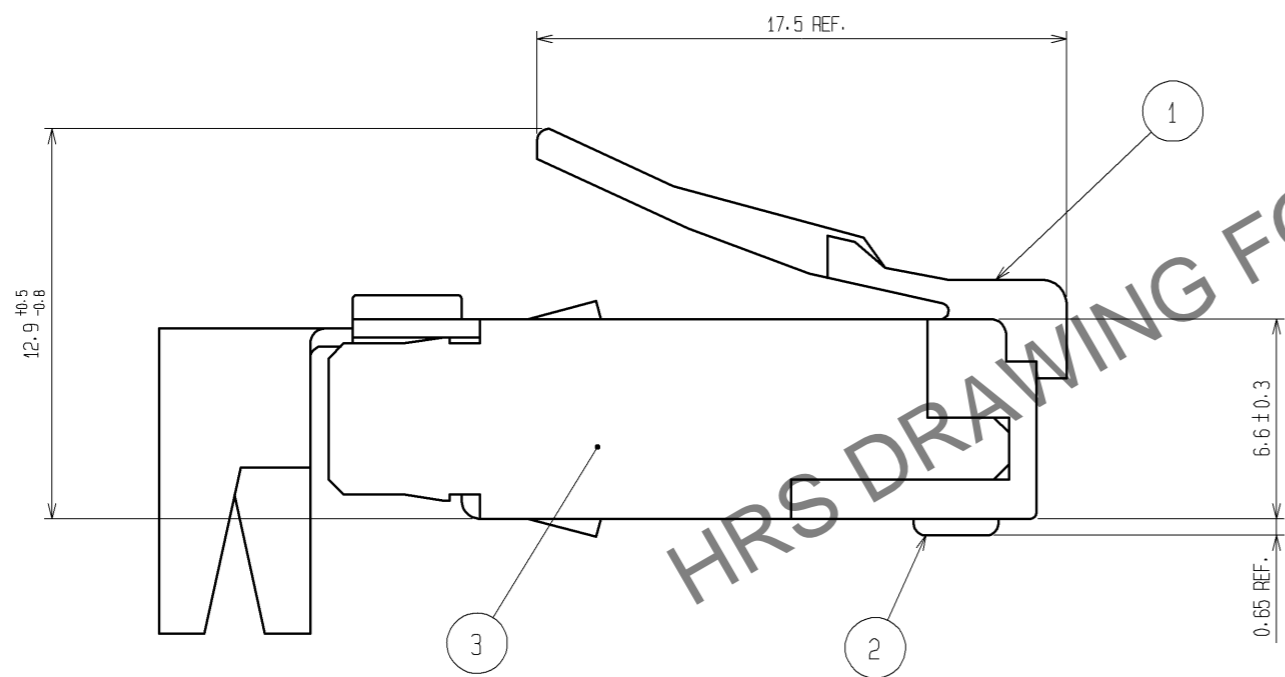
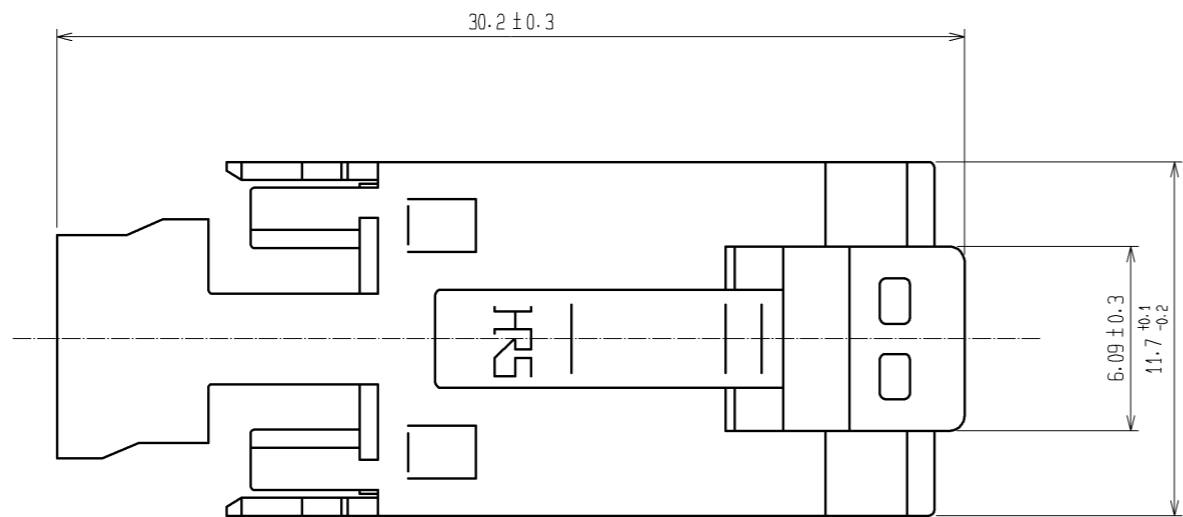


Mar.1.2025 Copyright 2025 HIROSE ELECTRIC CO., LTD. All Rights Reserved.
In case of consideration for using Automotive equipment / device which demand high reliability, kindly contact our sales window correspondents.



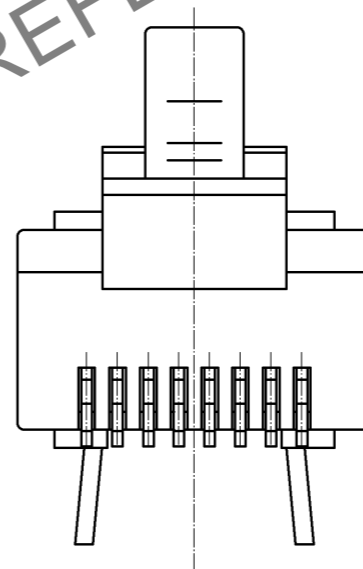
NOTES: 1

APPLICABLE CABLE

| | | |
|--|-------------------------------|------------------------------------------------------------------------------------------------------|
| | WIRE | INSULATOR OUTER DIAMETER 0.90 TO 1.00 DIA. CONDUCTOR SIZE (STRANDED) AWG26~27 OR EQUIVALENT |
| | VINYL SEATH OUTER DIAMETER | ∅5.0 *(1) |
| | DRAIN WIRE | AWG 25 OR EQUIVALENT 7/0.18 DIA. *(2) |

*(1) CABLE ENTRY IS 5.6 MIN.
*(2) CONSTRUCTION IS FOR REFERENCE.

2 THE DIMENSION IN PARENTHESIS IS FOR REFERENCE.



HRS DRAWING FOR REFERENCE

| 1 | POLYCARBONATE | TRANSPARENCY | 3 | BRASS | UNDER :COPPER PLATING 0.5µm min OVER :TIN REFLOW PLATING 1µm min |
|--------------------------------------|-----------------|-------------------------|----------|----------------------------|---------------------------------------------------------------------|
| 2 | PHOSPHOR BRONZE | | 2 | PHOSPHOR BRONZE | UNDER :NICKEL PLATING 2µm min OVER :GOLD PLATING 1.27µm min |
| NO. | MATERIAL | FINISH . REMARKS | NO. | MATERIAL | FINISH . REMARKS |
| UNITS | | SCALE | COUNT | DESCRIPTION OF REVISIONS | |
| mm | | 2 : 1 | △ | DESIGNED | CHECKED |
| HRS HIROSE ELECTRIC CO., LTD. | | APPROVED : RI. TAKAYASU | 11.07.27 | DRAWING NO. EDC3-127727-01 | |
| | | CHECKED : YH. ENAMI | 11.07.27 | PART NO. TM11DP-88P(61) | |
| | | DESIGNED : SG. CHAMURA | 11.07.21 | CODE NO. CL222-2975-5-61 | |
| | | DRAWN : SG. CHAMURA | 11.07.21 | △ 1/1 | |