

Feb.1.2025 Copyright 2025 HIROSE ELECTRIC CO., LTD. All Rights Reserved.
In case of consideration for using Automotive equipment / device which demand high reliability, kindly contact our sales window correspondents.

APPLICABLE STANDARD		RECOGNIZED COMPONENT OF UL1863		
RATING	OPERATING TEMPERATURE RANGE	-25°C TO 60°C \triangle	STORAGE TEMPERATURE RANGE	-25°C TO 60°C \triangle
	VOLTAGE	56.5 V DC, MAXIMUM OPERATING VOLTAGE 150V	CURRENT	100 mA

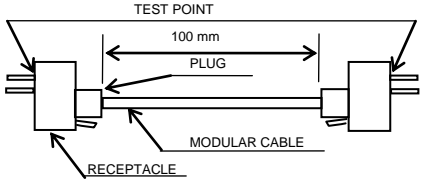
SPECIFICATIONS

ITEM	TEST METHOD	REQUIREMENTS	QT	AT
------	-------------	--------------	----	----

CONSTRUCTION

GENERAL EXAMINATION	VISUALLY AND BY MEASURING INSTRUMENT.	ACCORDING TO DRAWING.	X	X
MARKING	CONFIRMED VISUALLY.		X	X

ELECTRIC CHARACTERISTICS

CONTACT RESISTANCE	100 mA DC (DC OR 1000 Hz AC). MEASUREMENT POINTS SHALL BE AS FOLLOWS.  (ONE EXAMPLE OF CONNECTOR CONFIGURATION IS SHOWN.)	230 mΩ MAX.	X	X
INSULATION RESISTANCE	100 V DC.	100 MΩ MIN.	X	X
VOLTAGE PROOF	500 V AC FOR 1 min.	NO FLASHOVER OR BREAKDOWN.	X	X

MECHANICAL CHARACTERISTICS

MECHANICAL OPERATION	200 TIMES INSERTIONS AND EXTRACTIONS.	① CONTACT RESISTANCE: 250 mΩ MAX. ② NO DAMAGE, CRACK AND LOOSENESS OF PARTS.	X	-
VIBRATION	FREQUENCY 10 TO 55 Hz, SINGLE AMPLITUDE 0.75 mm, m/s^2 AT 2 h, FOR 3 DIRECTIONS.	① NO ELECTRICAL DISCONTINUITY OF 5μs. ② CONTACT RESISTANCE: 250 mΩ MAX.	X	-
SHOCK	490 m/s ² DURATION OF PULSE 11 ms AT 3 TIMES FOR 3 DIRECTIONS.	③ NO DAMAGE, CRACK AND LOOSENESS OF PARTS.	X	-
RUBBER PROBE	RUBBER PROBE 6.9±0.5mm DIAMETER SHALL BE INSERTED AND WITHDRAW. (TEST STANDARD : UL1863)	NO DEFECT AT WITHDRAWING.	X	X

ENVIRONMENTAL CHARACTERISTICS

DAMP HEAT (STEADY STATE)	EXPOSED AT 40°C, 90 TO 95 %, 500 h	① CONTACT RESISTANCE: 250 mΩ MAX. ② INSULATION RESISTANCE: 1 MΩ MIN. (AT HIGH HUMIDITY) 10 MΩ MIN. (AT DRY) ③ NO DAMAGE, CRACK AND LOOSENESS OF PARTS.	X	-
RAPID CHANGE OF TEMPERATURE	TEMPERATURE -55±3→5 TO 35→85±2→5 TO 35°C TIME 30 TO 35→5MAX→30 TO 35→5MAX min UNDER 5 CYCLES.	① CONTACT RESISTANCE: 250 mΩ MAX. ② INSULATION RESISTANCE: 100 MΩ MIN. ③ NO DAMAGE, CRACK AND LOOSENESS OF PARTS.	X	-
CORROSION SALT MIST	EXPOSED IN 5 % SALT WATER SPRAY FOR 48 h.	① CONTACT RESISTANCE: 250 mΩ MAX. ② NO HEAVY CORROSION.	X	-

COUNT	DESCRIPTION OF REVISIONS	DESIGNED	CHECKED	DATE
\triangle 4	DIS-E-00002932	KIM JAEHYEON	TU. TANIGUCHI	20200403

REMARK	APPROVED	HO. MIWA	20050105
	CHECKED	TH. KAMEYA	20050105
	DESIGNED	SS. SATOH	20050105
	DRAWN	SS. SATOH	20050105

Unless otherwise specified, refer to IEC 60512. \triangle

Note QT:Qualification Test AT:Assurance Test X:Applicable Test	DRAWING NO.	ELC-120683-00-00
--	-------------	------------------

HRS	SPECIFICATION SHEET	PART NO.	TM11APX-88P
	HIROSE ELECTRIC CO., LTD.	CODE NO.	CL222-8008-0-00 \triangle 1/1