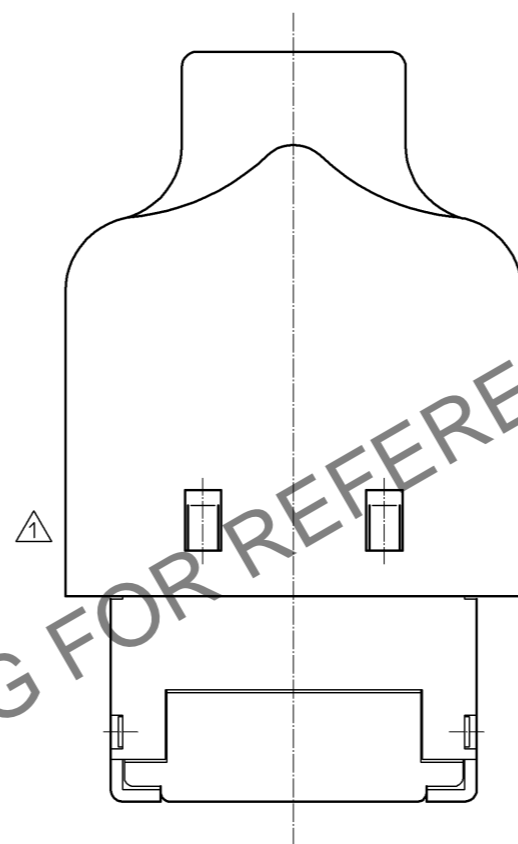
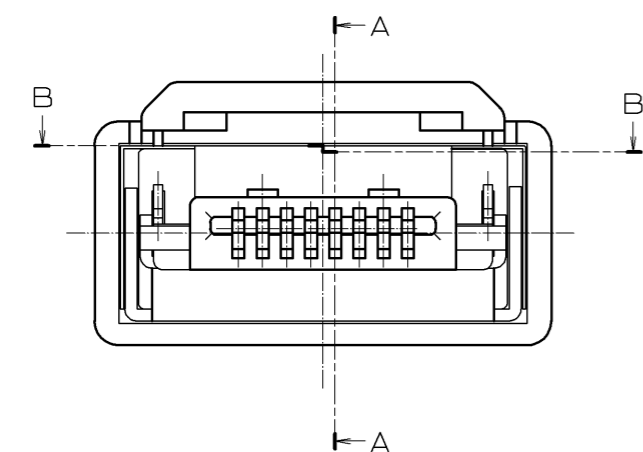
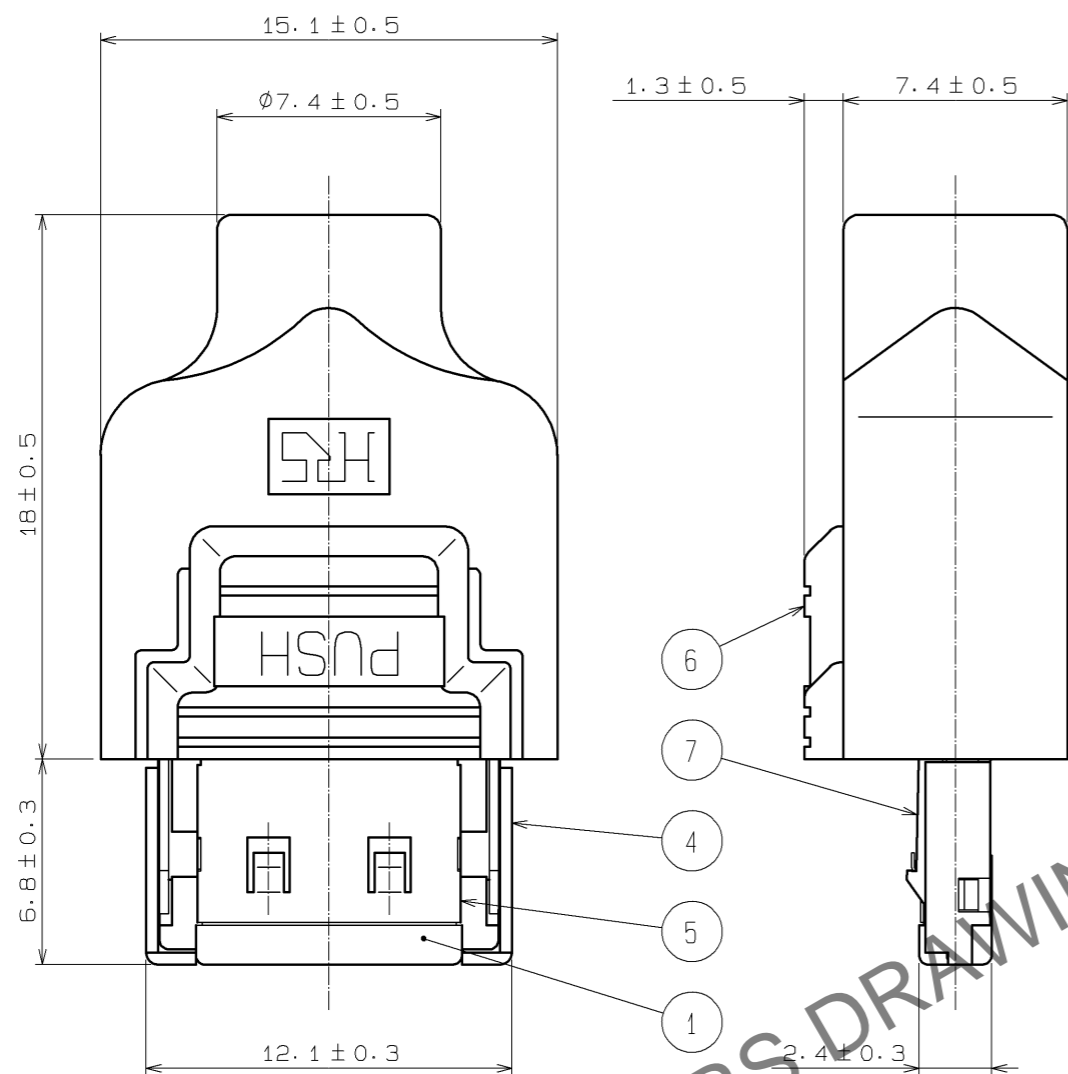
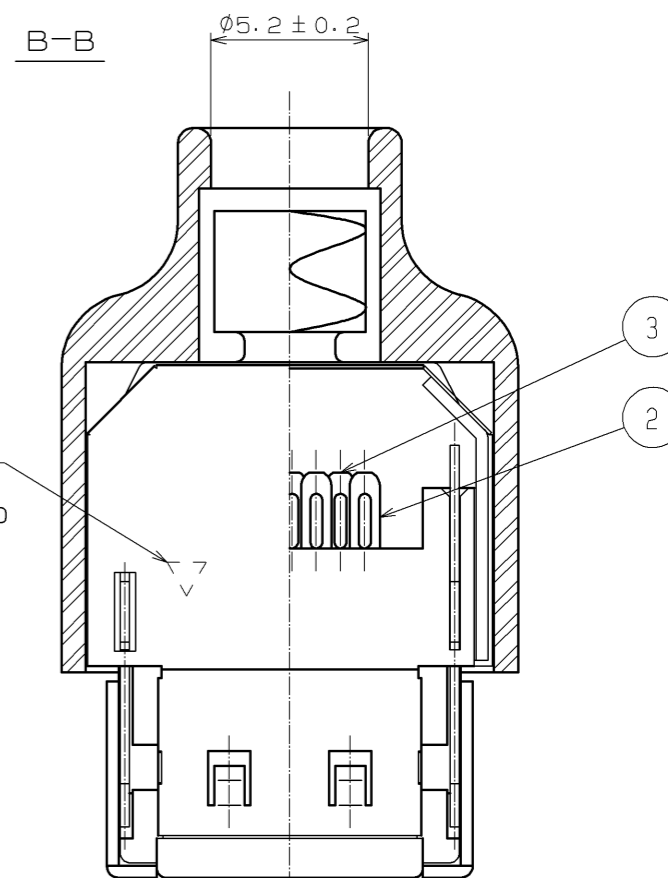


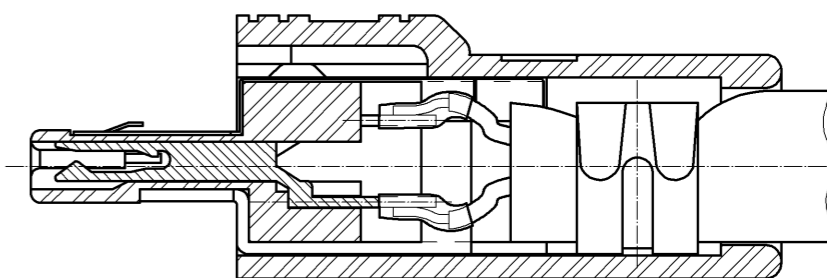
Feb.1.2025 Copyright 2025 HIROSE ELECTRIC CO., LTD. All Rights Reserved.
In case of consideration for using Automotive equipment / device which demand high reliability, kindly contact our sales window correspondents.



POLARIZATION MARK
(POLARIZATION MARK SHALL BE PROCESSED BY CHAMFERING.)



A-A
CABLE ASSEMBLY DRAWING



NOTE 1. THE REFERENCE NO. ④, ⑤ AND ⑥ SHALL BE ATTACHED.

NO.	MATERIAL	FINISH . REMARKS	NO.	MATERIAL	FINISH . REMARKS
3	COPPER ALLOY	CONTACT AREA:GOLD PLATING 0.2μm min. LEAD AREA:GOLD PLATING 0.03μm min. [△]	7	STAINLESS STEEL	
2	COPPER ALLOY	UNDER PLATING:NICKEL PLATING 2μm min.	6	POLYCARBONATE	BLACK·UL94HB
1	PPS	BLACK·UL94V-0	5	PHOSPHOR BRONZE	NICKEL PLATING 1μm min. [△]
			4	BRASS	NICKEL PLATING 1μm min. [△]

UNITS	SCALE	COUNT	DESCRIPTION OF REVISIONS	DESIGNED	CHECKED	DATE
mm	4 : 1	4	DIS-E-003308	TS. ITO	TA. ASO	10.06.14
APPROVED : A0. SUZUKI			06.05.22	DRAWING NO. EDC3-045931-03		
CHECKED : NF. MIYAZAKI			06.05.22	PART NO. 3240-8P-C(50)		
DESIGNED : HS. KIKUCHI			06.05.22	CODE NO. CL232-0001-4-50		
DRAWN : HS. KIKUCHI			06.05.22			