

Feb.1.2025 Copyright 2025 HIROSE ELECTRIC CO., LTD. All Rights Reserved.
In case of consideration for using Automotive equipment / device which demand high reliability, kindly contact our sales window correspondents.

COUNT	DESCRIPTION OF REVISIONS	BY	CHKD	DATE	COUNT	DESCRIPTION OF REVISIONS	BY	CHKD	DATE
△					△				
△					△				
△					△				

1 RECOMMENDED PC BOARD PATTERN
(MOUNTING SIDE)

* TH: THROUGH-HOLE

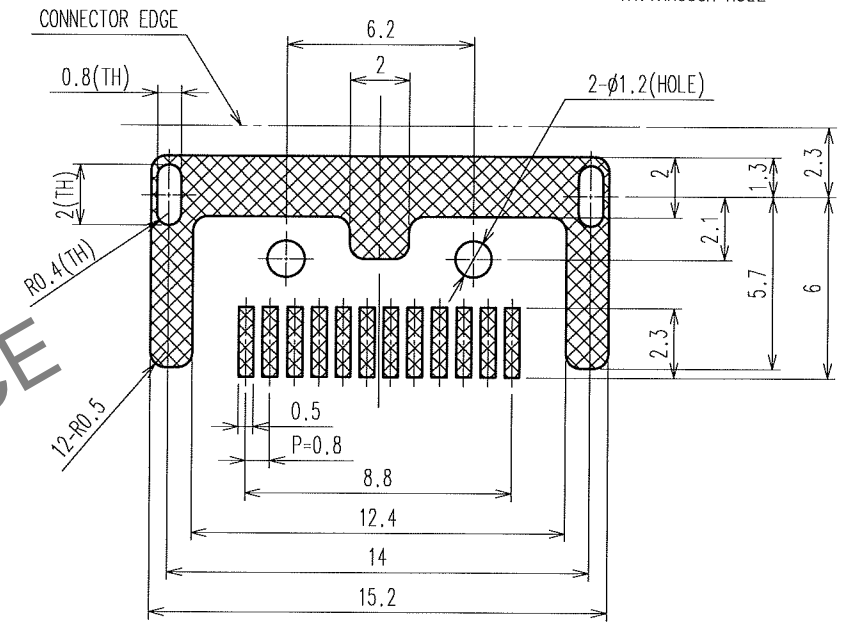
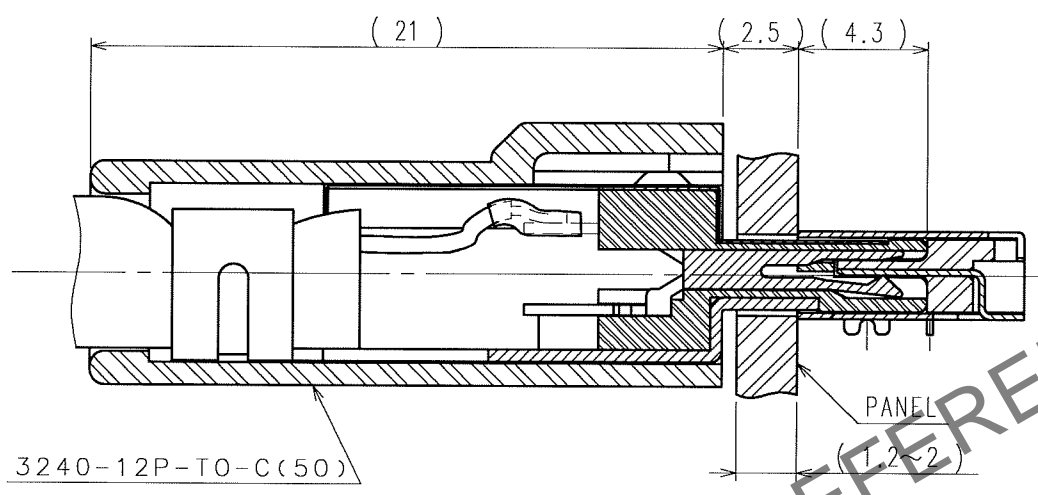
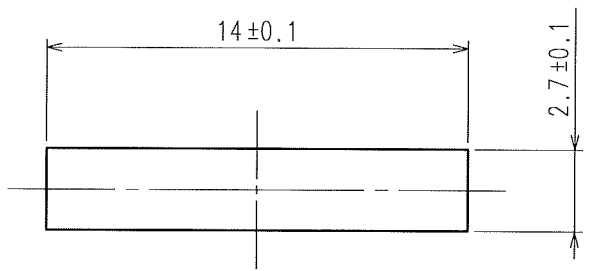


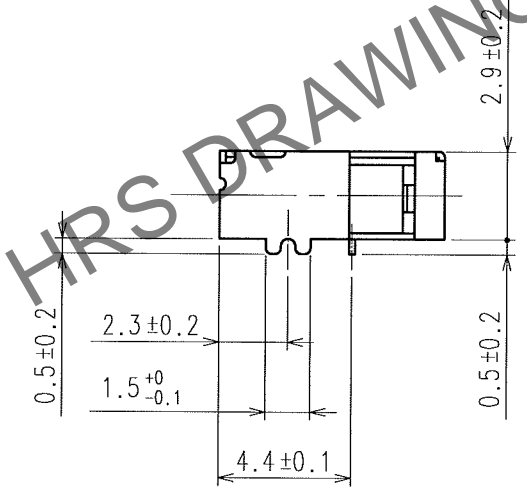
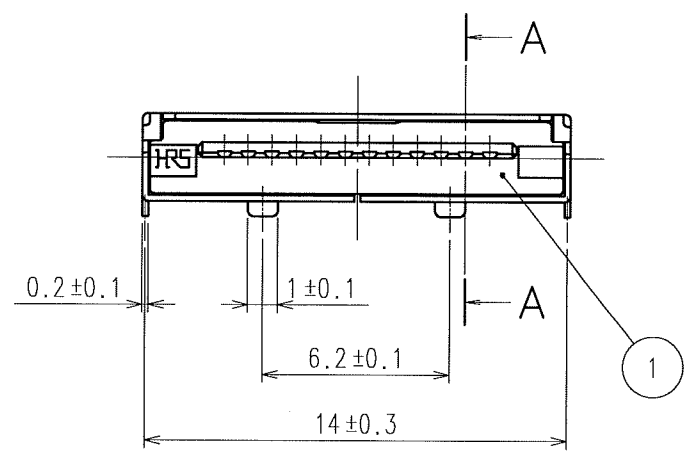
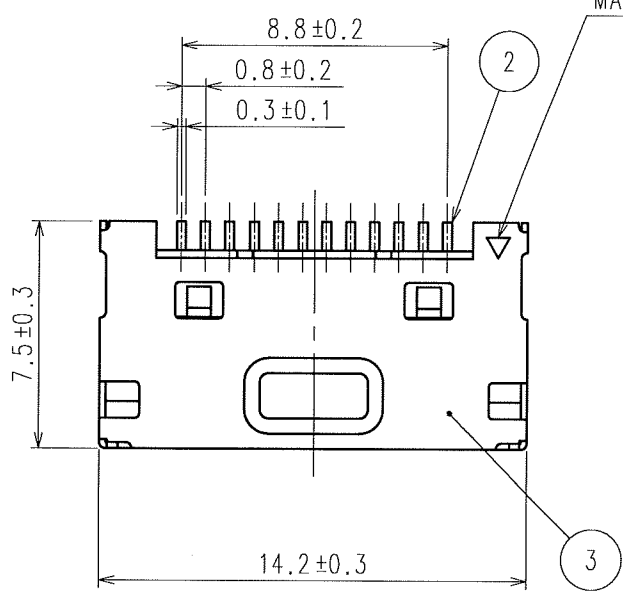
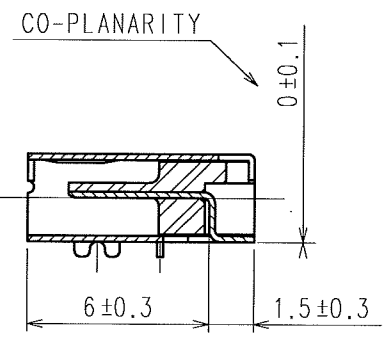
FIGURE OF MATING



PANEL CUTOUT



A-A



NOTE 1 ALL DIMENSIONS WITHOUT TOLERANCE ARE DIMENSIONS FOR REFERENCE.

2 PLATING
CONTACT AREA GOLD 0.2μ m min.
LEAD AREA GOLD 0.03μ m min.
UNDER PLATING NICKEL 2μ m min.

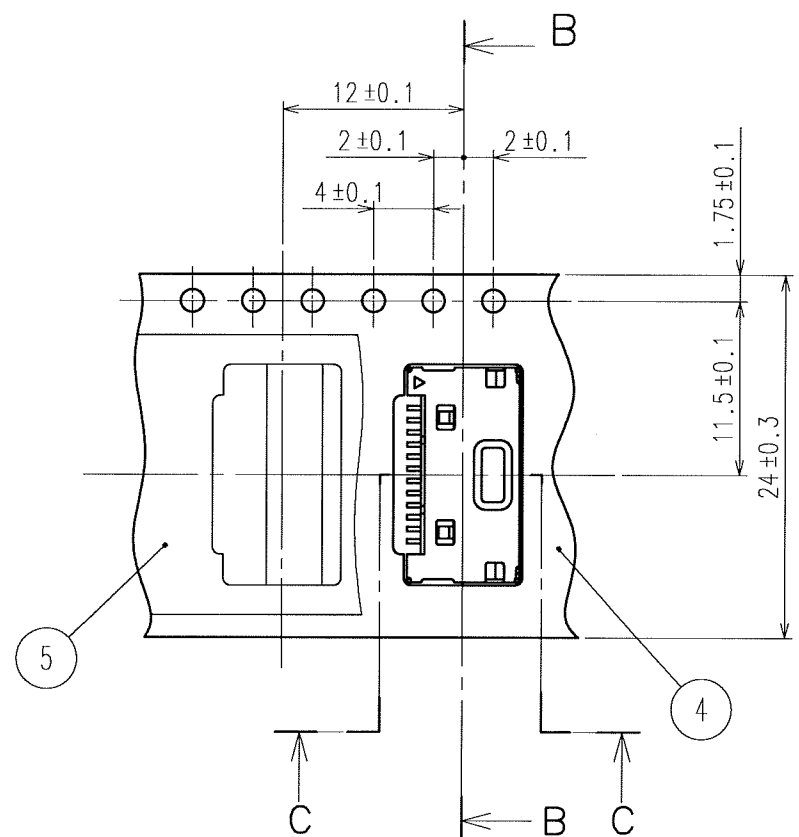
3 PLATING
TOP AREA (OUT-SIDE ONLY) GOLD 0.03μ m min.
UNDER PLATING NICKEL 0.2μ m min.

2	PHOSPHOR BRONZE	2	5	PET
1	PPS	(BLACK) UL94V-0	4	PS
			3	STAINLESS STEEL
NO.	MATERIAL	FINISH, REMARKS	NO.	MATERIAL
CODE NO. (OLD)		DRAWN	DESIGNED	CHECKED
		SCALE	APPROVED	RELEASED
		4 : 1	E. Wakiyama	T. Kikuchi
		UNITS	'06.12.13	'06.12.13
		mm		
DRAWING NO.		PART NO.		
EDC3-120857-02		3260B-12S1(55)		
CODE NO.		CODE NO.		
CL232-0089-5-55		CL232-0089-5-55		1/2

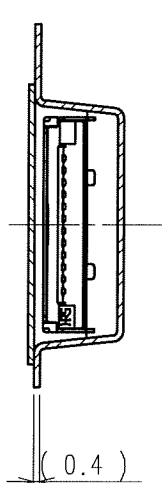
TO

Feb.1.2025 Copyright 2025 HIROSE ELECTRIC CO., LTD. All Rights Reserved.
 In case of consideration for using Automotive equipment / device which demand high reliability, kindly contact our sales window correspondents.

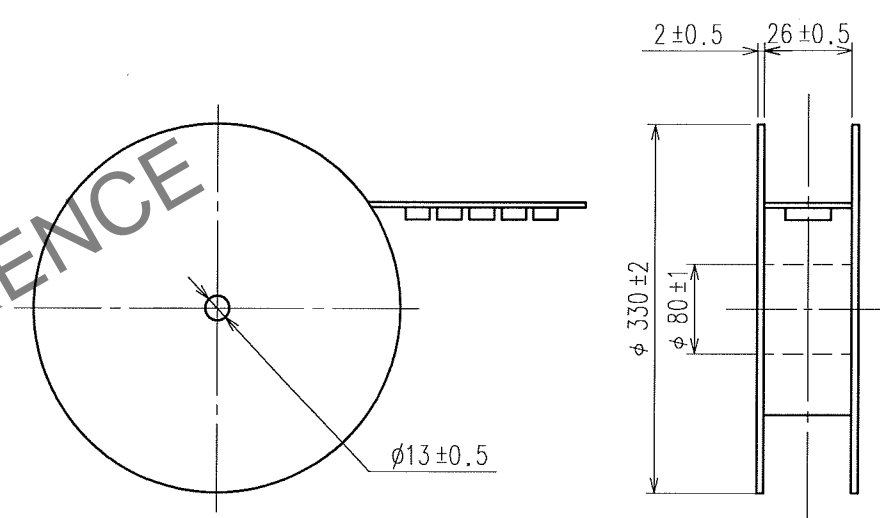
COUNT	DESCRIPTION OF REVISIONS	BY	CHKD	DATE	COUNT	DESCRIPTION OF REVISIONS	BY	CHKD	DATE
△					△				
△					△				
△					△				



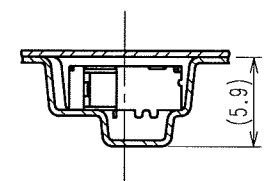
B-B



STYLE AND DIMENTION OF REEL (FREE)



C-C



DIRECTION OF UNREELING
 →

HRS DRAWING FOR REFERENCE

NOTE 4. 1000 PIECES PER REEL.

TO

NO.	MATERIAL	FINISH, REMARKS	NO.	MATERIAL	FINISH, REMARKS
CODE NO. (OLD)			DRAWN	DESIGNED	CHECKED
			<i>E. Wakikawa</i>	<i>H. Kikuchi</i>	<i>N. Miyajima</i>
			06.12.13	06.12.13	06.12.13
			APPROVED	RELEASED	
			<i>[Signature]</i>		
			06.12.13		
DRAWING NO.			PART NO.		
EDC3-120857-02			3260B-12S1(55)		
UNITS			CODE NO.		
mm			CL232-0089-5-55		
HRS HIROSE ELECTRIC CO., LTD			2/2		