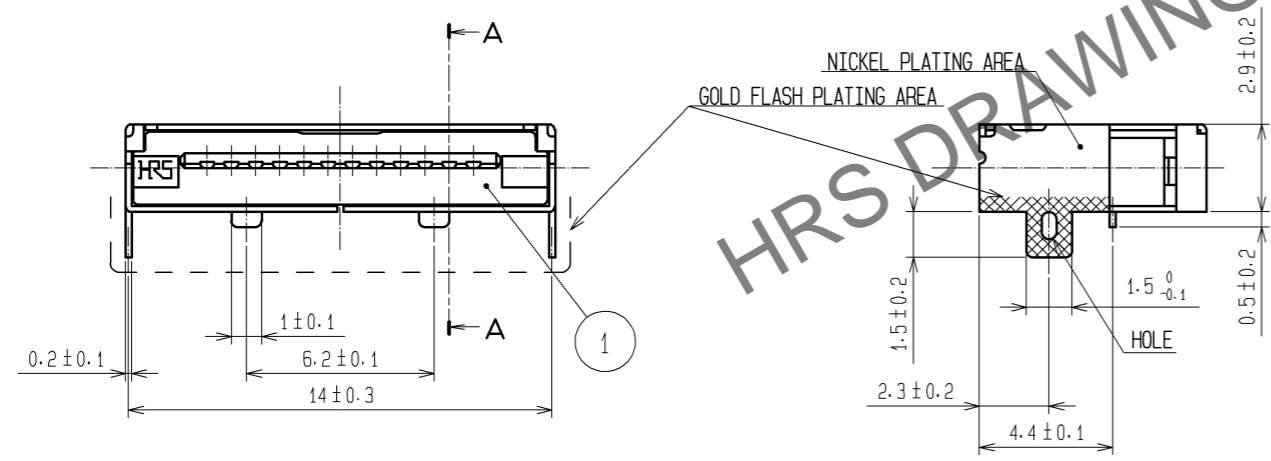
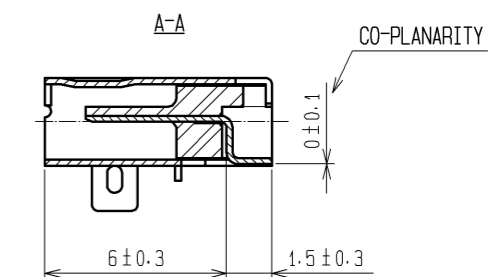
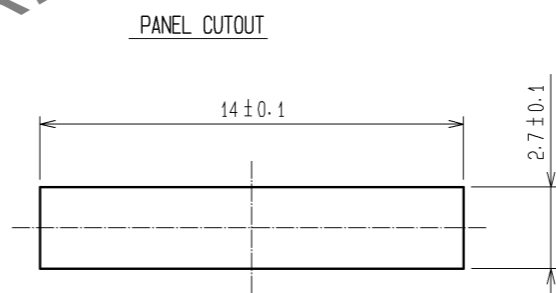
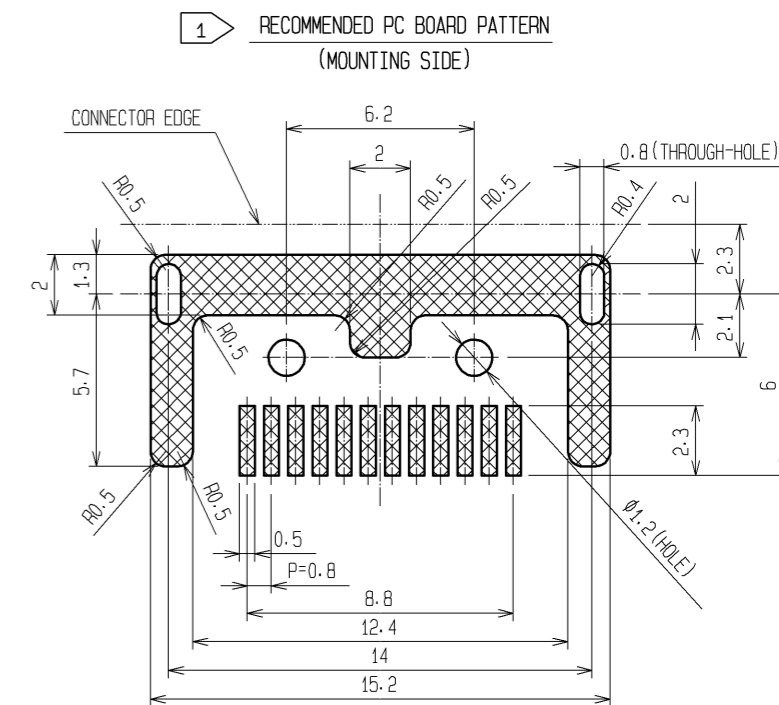
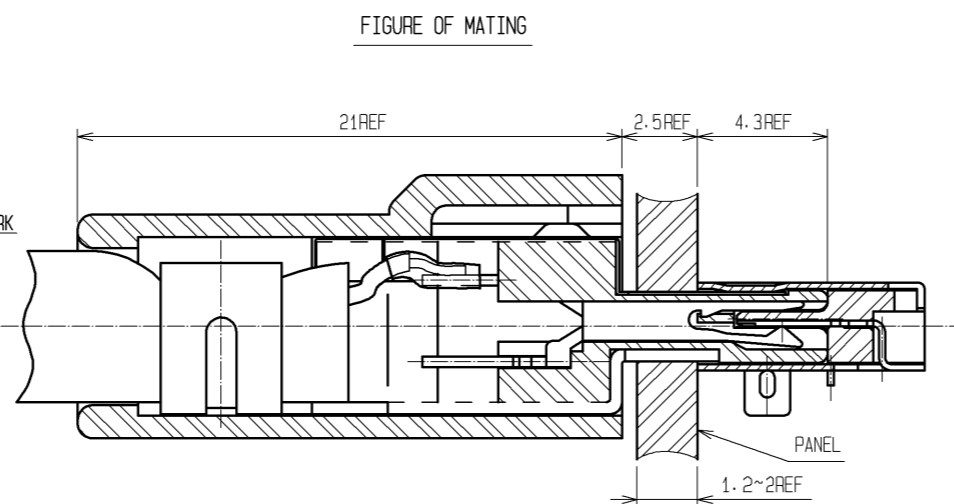
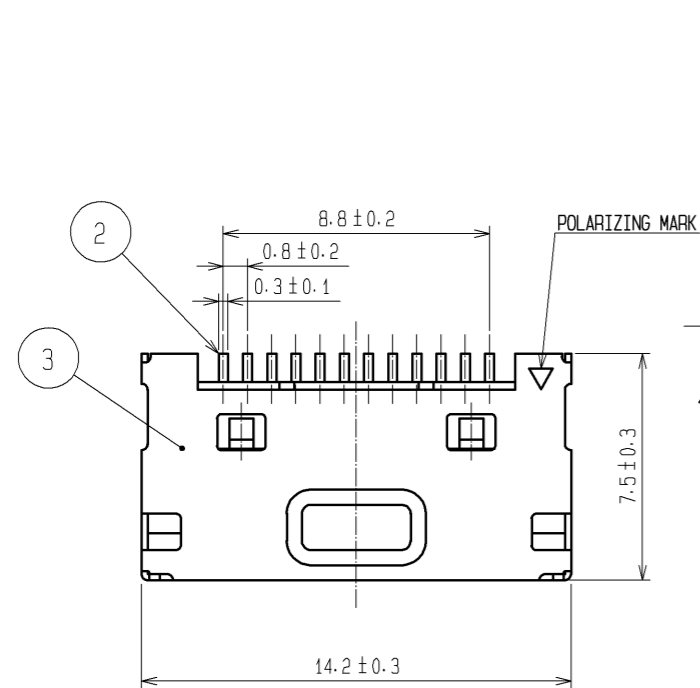


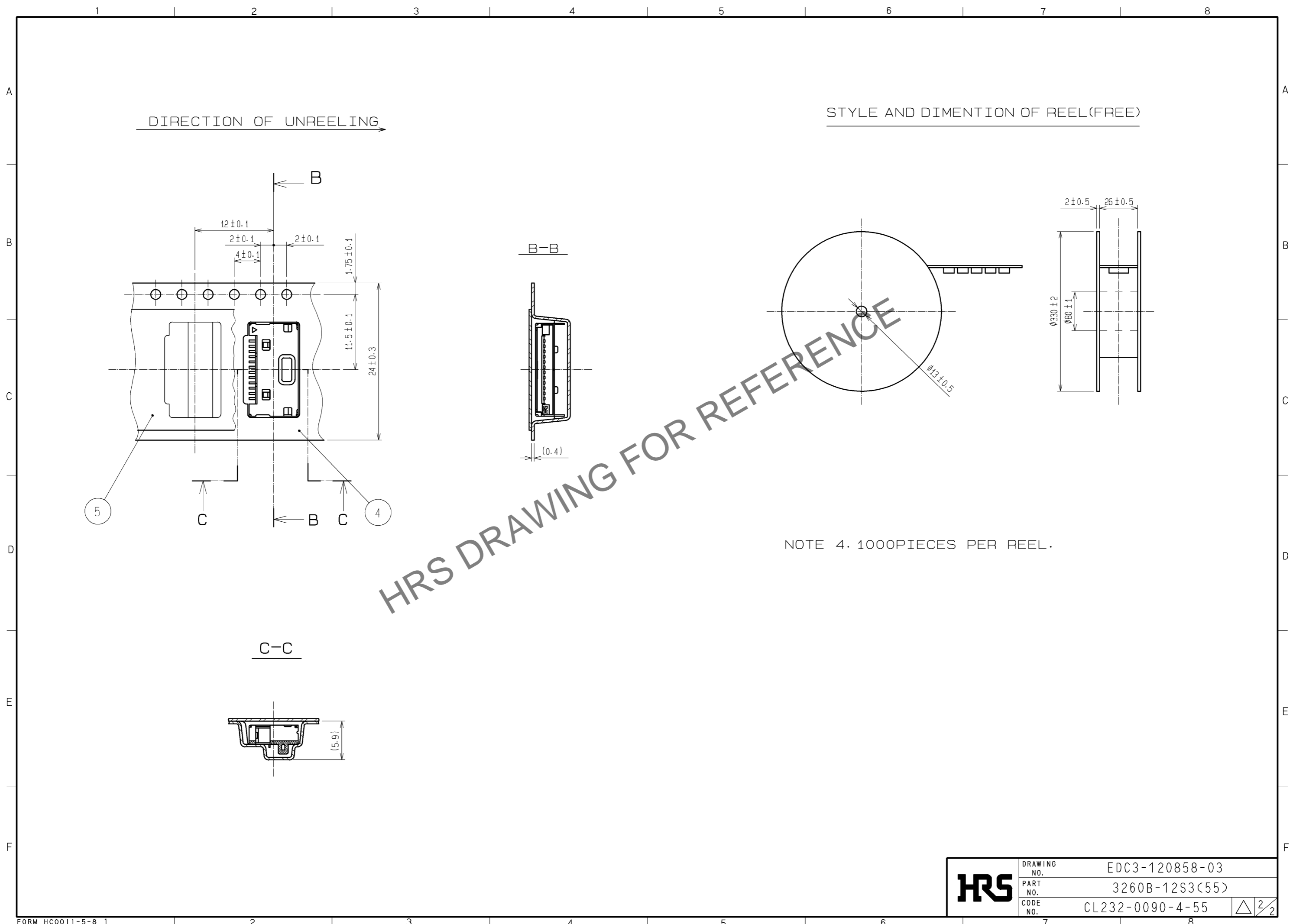
Feb.1.2025 Copyright 2025 HIROSE ELECTRIC CO., LTD. All Rights Reserved.
In case of consideration for using Automotive equipment / device which demand high reliability, kindly contact our sales window correspondents.



- NOTE
- 1 ALL DIMENSIONS WITHOUT TOLERANCE ARE DIMENSIONS FOR REFERENCE.
 - 2 PLATING
CONTACT AREA GOLD 0.2μm min.
LEAD AREA GOLD 0.03μm min.
UNDER PLATING NICKEL 2μm min.
 - 3 PLATING
GOLD FLASH PLATING 0.03μm min.
UNDER PLATING NICKEL 0.2μm min.

2	PHOSPHOR BRONZE	2	5	PET				
1	PPS	(BLACK)UL94V-0	4	PS				
			3	STAINLESS STEEL				
NO.	MATERIAL	FINISH . REMARKS	NO.	MATERIAL	FINISH . REMARKS			
UNITS	mm	SCALE	4 : 1	COUNT	DESCRIPTION OF REVISIONS	DESIGNED	CHECKED	DATE
APPROVED : KN. ICHIKAWA		08.03.13		DRAWING NO.		EDC3-120858-03		
CHECKED : MO. SHIMOYAMA		08.03.12		PART NO.		3260B-12S3(55)		
DESIGNED : KO. KAWAMURA		08.03.03		CODE NO.		CL232-0090-4-55		
DRAWN : KO. KAWAMURA		08.03.03				1/2		

Feb.1.2025 Copyright 2025 HIROSE ELECTRIC CO., LTD. All Rights Reserved.
In case of consideration for using Automotive equipment / device which demand high reliability, kindly contact our sales window correspondents.



HRS DRAWING FOR REFERENCE

NOTE 4. 1000PIECES PER REEL.

HRS	DRAWING NO.	EDC3-120858-03
	PART NO.	3260B-12S3(55)
	CODE NO.	CL232-0090-4-55
		2/2