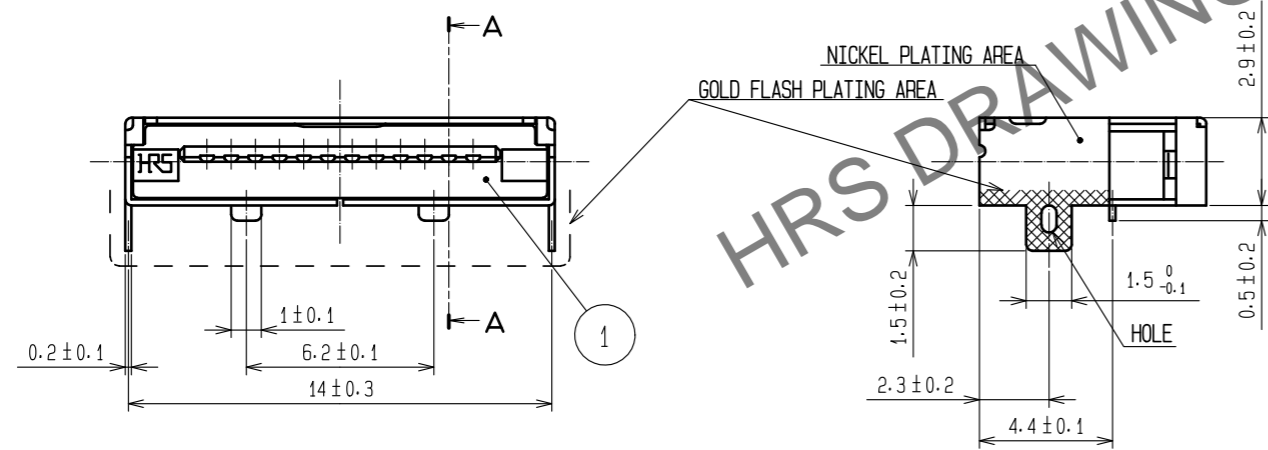
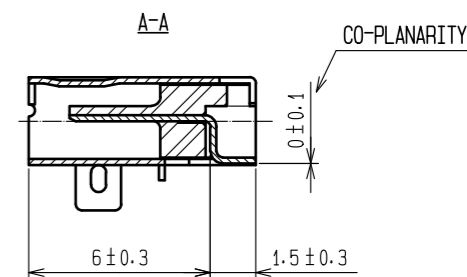
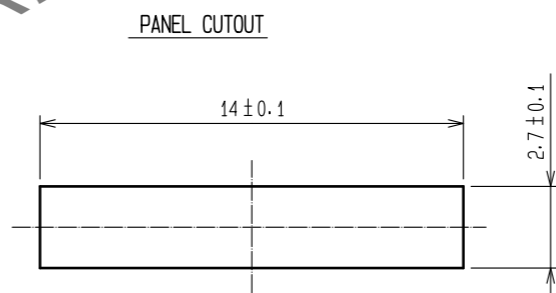
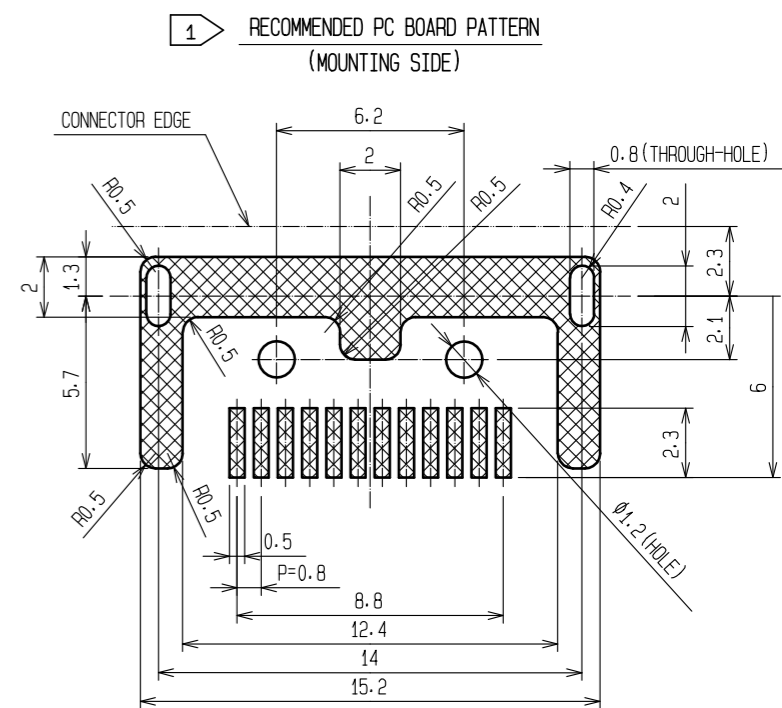
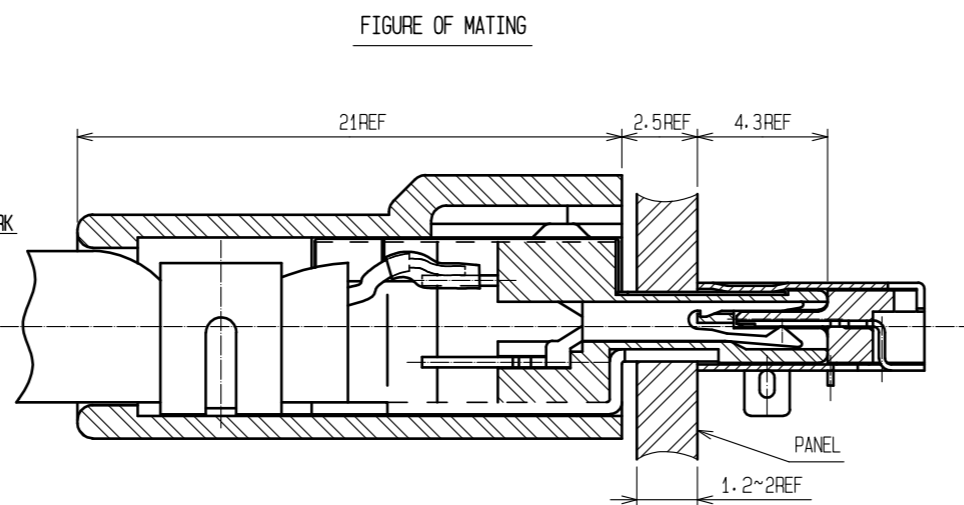
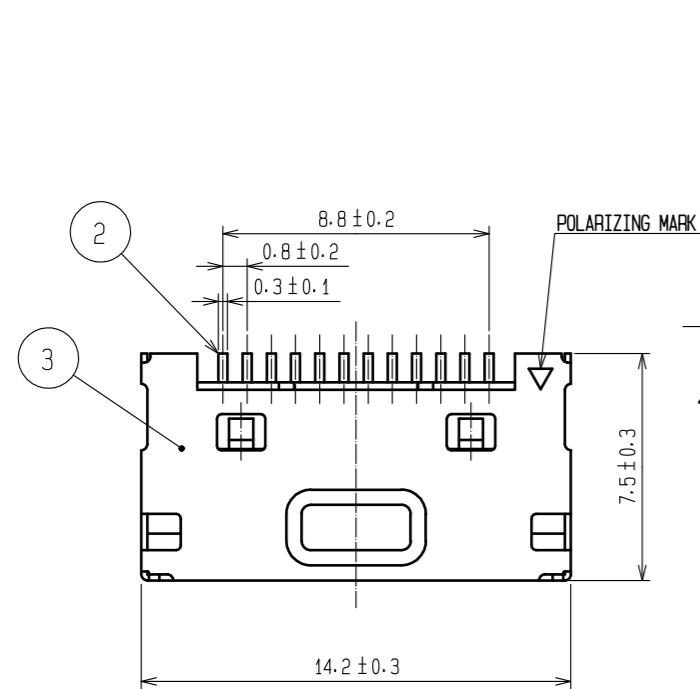


Feb.1.2025 Copyright 2025 HIROSE ELECTRIC CO., LTD. All Rights Reserved.
In case of consideration for using Automotive equipment / device which demand high reliability, kindly contact our sales window correspondents.



HRS DRAWING FOR REFERENCE

- NOTE
- ① ALL DIMENSIONS WITHOUT TOLERANCE ARE DIMENSIONS FOR REFERENCE.
 - ② PLATING
CONTACT AREA GOLD 0.2μm min.
LEAD AREA GOLD 0.03μm min.
UNDER PLATING NICKEL 2μm min.
 - ③ PLATING
GOLD FLASH PLATING 0.03μm min.
UNDER PLATING NICKEL 0.2μm min.

2	PHOSPHOR BRONZE	②			
1	PPS	(BLACK)UL94V-0	3	STAINLESS STEEL	③
NO.	MATERIAL	FINISH . REMARKS	NO.	MATERIAL	FINISH . REMARKS
UNITS mm		SCALE 4 : 1		COUNT	DESCRIPTION OF REVISIONS
HIROSE ELECTRIC CO., LTD.		APPROVED : TU. TANIGUCHI	20200910	DRAWING NO. EDC-120858-56-00	
		CHECED : TU. TANIGUCHI	20200910	PART NO. 3260B-12S3(56)	
		DESIGNED : KN. ICHIKAWA	20200910	CODE NO. CL232-0090-4-56	
		DRAWN : CT. YAMAMOTO	20200910	1/1	