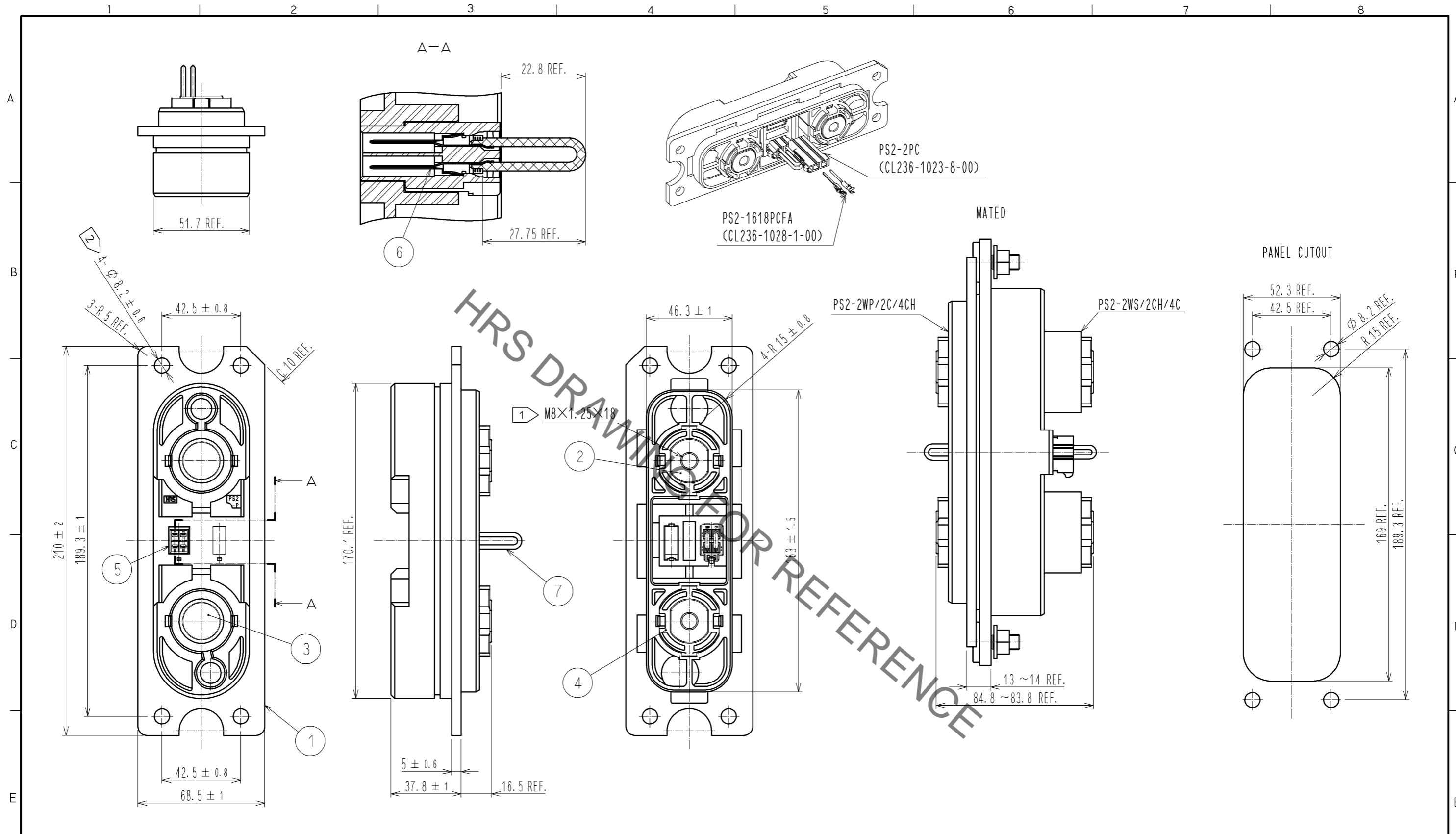


May.1.2021 Copyright 2021 HIROSE ELECTRIC CO., LTD. All Rights Reserved.
 In case of consideration for using Automotive equipment / device which demand high reliability, kindly contact our sales window correspondents.



NOTE ① THE RECOMMENDED TIGHTENING TORQUE OF REF NO. ② TO BE 13 N · m.
 ② THE SCREW USED FOR PANEL ATTACHMENT IS SET TO M8.
 AND THE RECOMMENDED TIGHTENING TORQUE TO BE 13 N · m.
 3. APPLICABLE CONNECTOR SHOWN IN THE TABLE BELOW.

PART No.	CODE No.
PS2-2WS/2CH/4C	236-1024-0-00

NO.	MATERIAL	FINISH	REMARKS	NO.	MATERIAL	FINISH	REMARKS
4	PBT	BLACK	UL94V-0	7	CABLE		UL3385 AWG18
3	PBT	BLACK	UL94V-0	6	COPPER ALLOY		CONTACT:GOLD 0.2μm MIN. BARREL:TIN 1μm MIN. UNDER:NICKEL 0.3μm MIN.
2	BRASS	SILVER PLATING:3μm MIN.		5	PBT	BLACK	UL94V-0
1	PBT	BLACK	UL94V-0				

UNITS	SCALE	COUNT	DESCRIPTION OF REVISIONS	DESIGNED	CHECKED	DATE
mm	1 : 2	△				

APPROVED : NM. NISHIMATSU	13.06.04	DRAWING NO.	EDC3-127465-00
CHECKED : NM. NISHIMATSU	13.06.04	PART NO.	PS2-2WP/2C/4CH
DESIGNED : MO. SHIMOYAMA	13.06.04	CODE NO.	CL236-1022-5-00
DRAWN : MO. SHIMOYAMA	13.06.04		