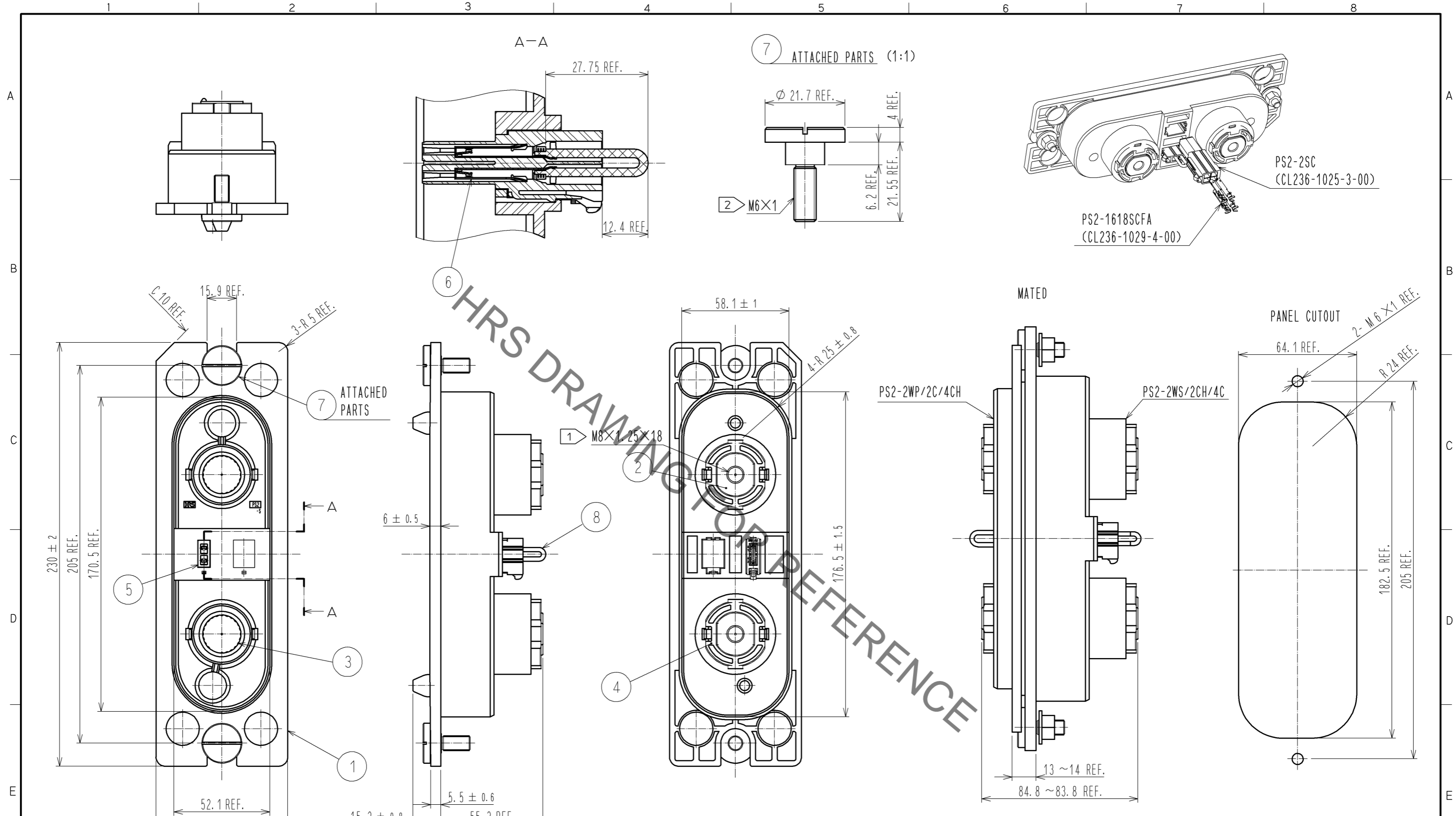


May.1.2021 Copyright 2021 HIROSE ELECTRIC CO., LTD. All Rights Reserved.  
In case of consideration for using Automotive equipment / device which demand high reliability, kindly contact our sales window correspondents.



NOTE ① THE RECOMMENDED TIGHTENING TORQUE OF REF. NO. ② TO BE 13 N · m.  
② THE RECOMMENDED TIGHTENING TORQUE OF REF. NO. ⑦ TO BE 6 TO 7 N · m.  
3. APPLICABLE CONNECTOR SHOWN IN THE TABLE BELOW.

PART No.	CODE No.
PS2-2WP/2C/4CH	236-1022-5-00

NO.	MATERIAL	FINISH .	REMARKS	NO.	MATERIAL	FINISH .	REMARKS
4	PBT	BLACK	UL94V-0	8	CABLE		UL3385 AWG18
3	COPPER ALLOY	SILVER PLATING:3 μm MIN.		7	STAINLESS STEEL		
2	BRASS	SILVER PLATING:3 μm MIN.		6	COPPER ALLOY		CONTACT:GOLD 0.2 μm MIN. BARREL:TIN 1 μm MIN. UNDER:NICKEL 0.3 μm MIN.
1	PBT	BLACK	UL94V-0	5	PBT		BLACK UL94V-0

UNITS	SCALE	COUNT	DESCRIPTION OF REVISIONS	DESIGNED	CHECKED	DATE
mm	1 : 2	△	APPROVED : NM. NISHIMATSU 13.06.04			
			CHECKED : NM. NISHIMATSU 13.06.04			
			DESIGNED : MO. SHIMOYAMA 13.06.04			
			DRAWN : MO. SHIMOYAMA 13.06.04			

DRAWING NO.	PART NO.	CODE NO.
EDC3-127467-00	PS2-2WS/2CH/4C	CL236-1024-0-00