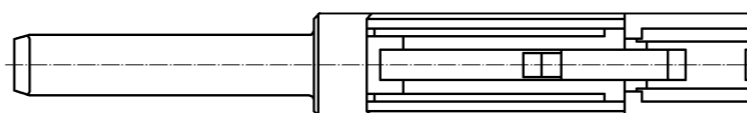
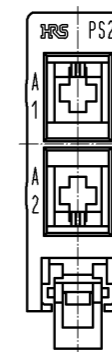
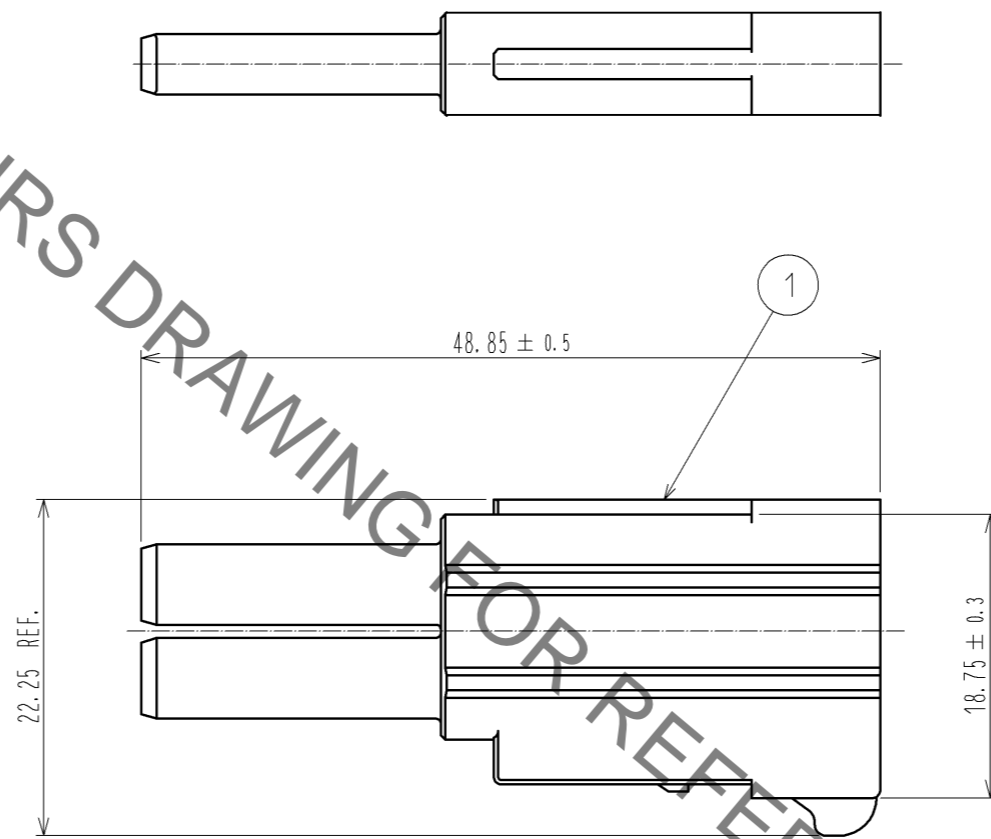
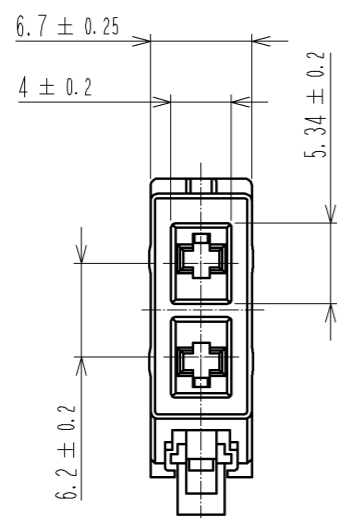


May.1.2021 Copyright 2021 HIROSE ELECTRIC CO., LTD. All Rights Reserved.
In case of consideration for using Automotive equipment / device which demand high reliability, kindly contact our sales window correspondents.



NOTE 1 . THIS PRODUCT IS AVAILABLE BY 100 pcs./pack UNIT.

1	PBT	BLACK UL94V-0				
NO.	MATERIAL	FINISH . REMARKS	NO.	MATERIAL	FINISH . REMARKS	
UNITS mm			SCALE 2 : 1		DESCRIPTION OF REVISIONS	DESIGNED
						CHECKED
						DATE
			APPROVED : A0. SUZUKI	12.02.14	DRAWING NO.	EDC3-127468-00
			CHECKED : KN. ICHIKAWA	12.02.14	PART NO.	PS2-2SC
			DESIGNED : TU. TANIGUCHI	12.02.14	CODE NO.	CL236-1025-3-00
			DRAWN : TU. TANIGUCHI	12.02.14		