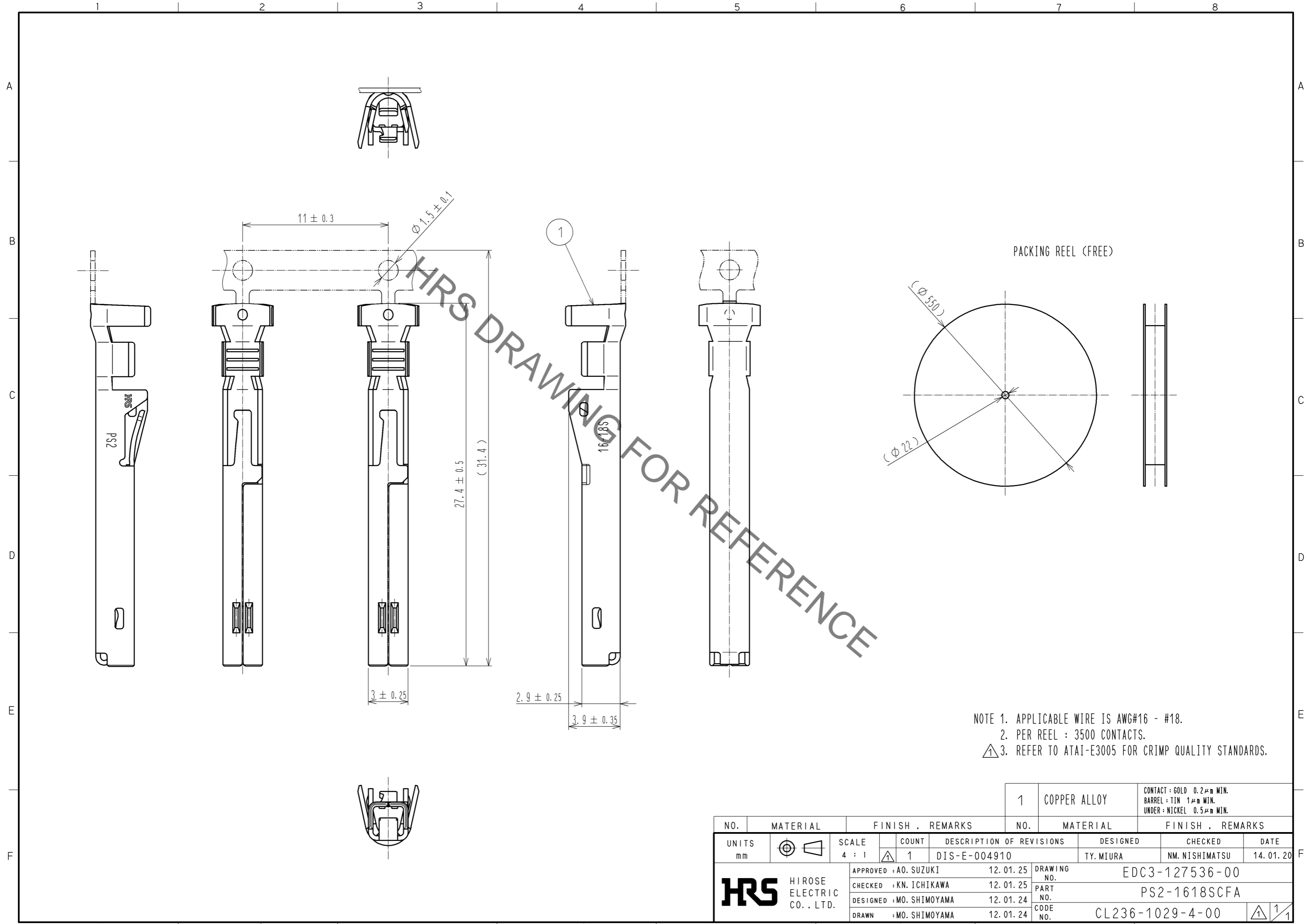


May.1.2021 Copyright 2021 HIROSE ELECTRIC CO., LTD. All Rights Reserved.  
 In case of consideration for using Automotive equipment / device which demand high reliability, kindly contact our sales window correspondents.



NOTE 1. APPLICABLE WIRE IS AWG#16 - #18.  
 2. PER REEL : 3500 CONTACTS.  
 3. REFER TO ATAI-E3005 FOR CRIMP QUALITY STANDARDS.

NO. 1		MATERIAL COPPER ALLOY		FINISH . REMARKS CONTACT : GOLD 0.2μm MIN. BARREL : TIN 1μm MIN. UNDER : NICKEL 0.5μm MIN.			
UNITS mm		SCALE 4 : 1	COUNT 1	DESCRIPTION OF REVISIONS DIS-E-004910	DESIGNED TY. MIURA	CHECKED NM. NISHIMATSU	DATE 14. 01. 20
<b>HRS</b> HIROSE ELECTRIC CO., LTD.		APPROVED : A0. SUZUKI	12. 01. 25	DRAWING NO. EDC3-127536-00			
		CHECKED : KN. ICHIKAWA	12. 01. 25	PART NO. PS2-1618SCFA			
		DESIGNED : MO. SHIMOYAMA	12. 01. 24	CODE NO. CL236-1029-4-00			
		DRAWN : MO. SHIMOYAMA	12. 01. 24	1/1			