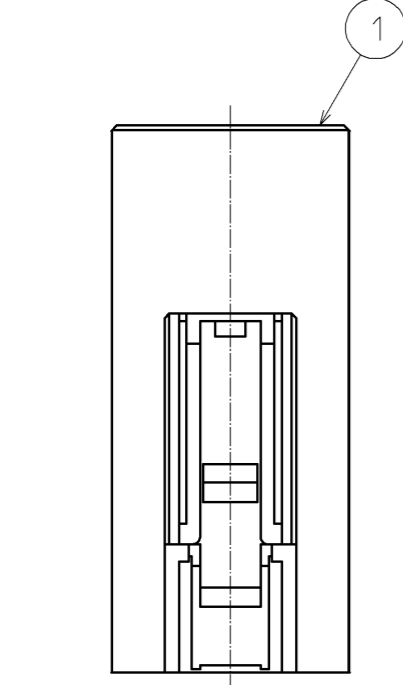
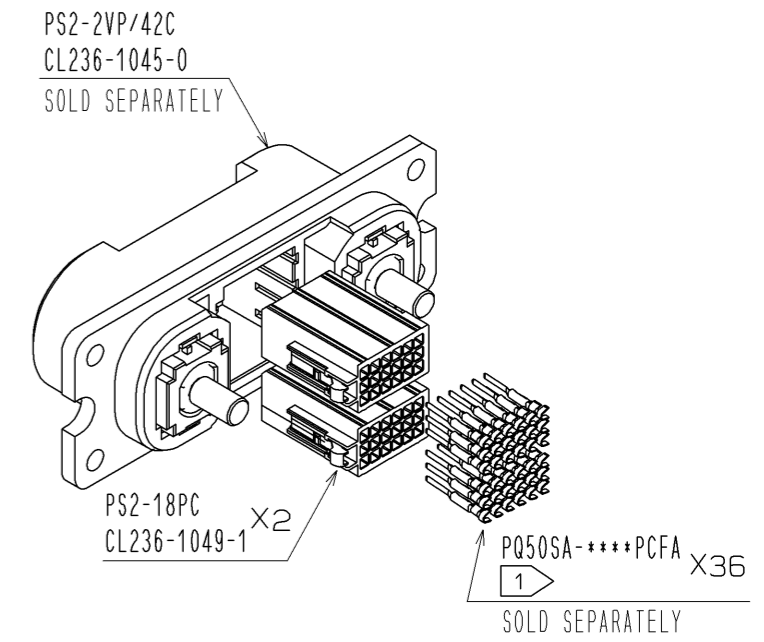
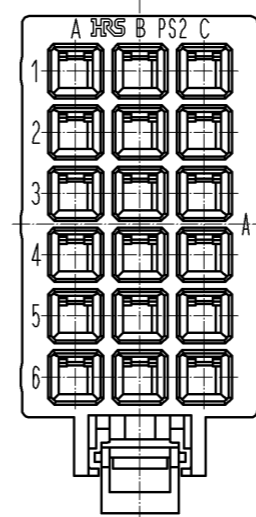
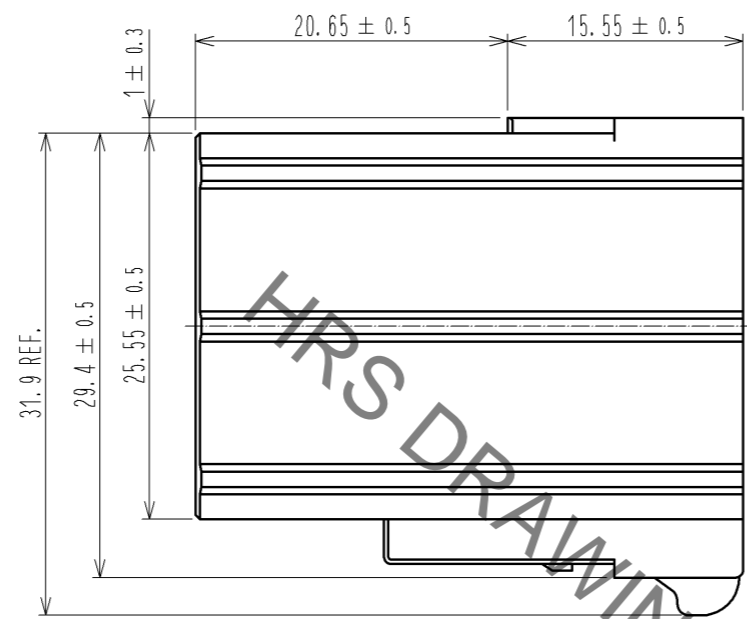
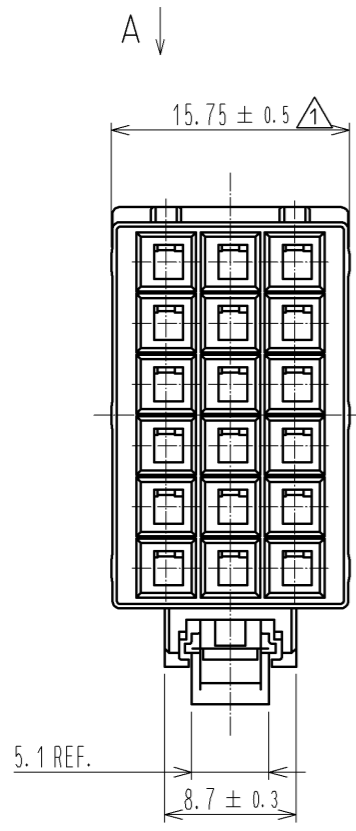
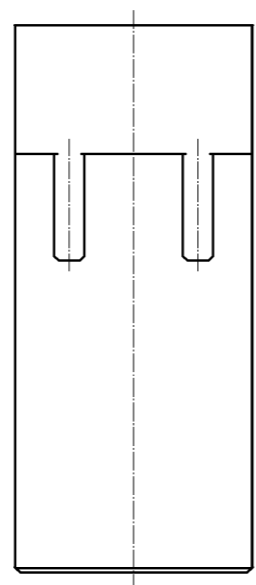


May.1.2021 Copyright 2021 HIROSE ELECTRIC CO., LTD. All Rights Reserved.
In case of consideration for using Automotive equipment / device which demand high reliability, kindly contact our sales window correspondents.



A DIRECTION VIEW



NOTES 1 ASSEMBLING INCORPORABLE CRIMP CONTACT IS SHOWN IN THE TABLE BELOW.

PRODUCT NAME	CL CODE	APPLICABLE CABLE
PQ50SA-1822PCFA	CL236-2029-0-00	AWG 18~22
PQ50SA-2428PCFA	CL236-2030-9-00	AWG 24~28

2. THIS PRODUCT IS USED INCLUDING IN THE FOLLOWING CONNECTOR.

PRODUCT NAME	CL CODE
PS2-2VP/42C	CL236-1045-0-00

3. APPLICABLE CONNECTOR IS SHOWN IN THE TABLE BELOW.

PRODUCT NAME	CL CODE
PS2-18SC	CL236-1050-0-00

NO.	MATERIAL	FINISH . REMARKS	NO.	MATERIAL	FINISH . REMARKS
1	PBT	BLACK . UL94V-0			

UNITS	SCALE	COUNT	DESCRIPTION OF REVISIONS	DESIGNED	CHECKED	DATE
mm	2 : 1	1	DIS-E-004405	TS. ITO	EJ. WAKATSUKI	12. 11. 05

HRS HIROSE ELECTRIC CO., LTD.	APPROVED : RI. TAKAYASU	12. 10. 30	DRAWING NO.	EDC3-128114-00
	CHECKED : EJ. WAKATSUKI	12. 10. 30	PART NO.	PS2-18PC
	DESIGNED : TS. ITO	12. 10. 30	CODE NO.	CL236-1049-1-00
	DRAWN : TS. ITO	12. 10. 30		