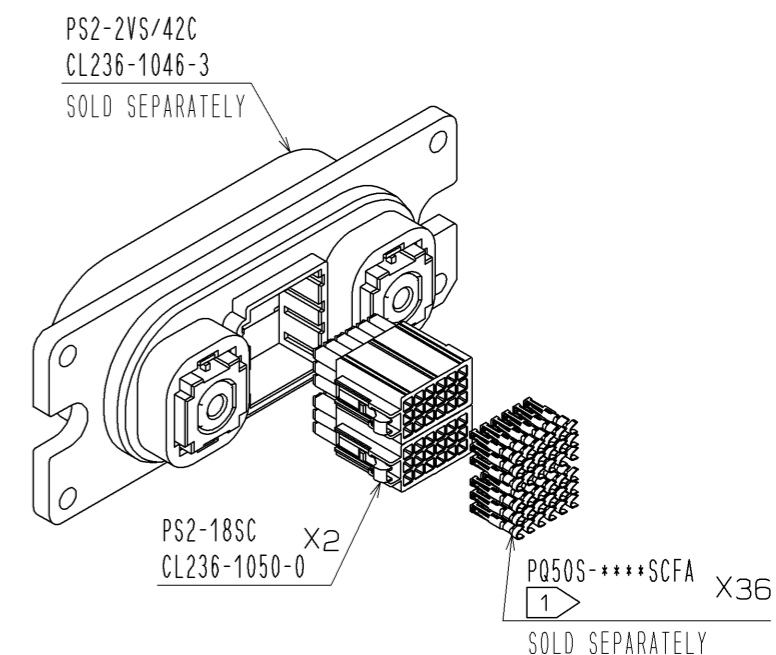
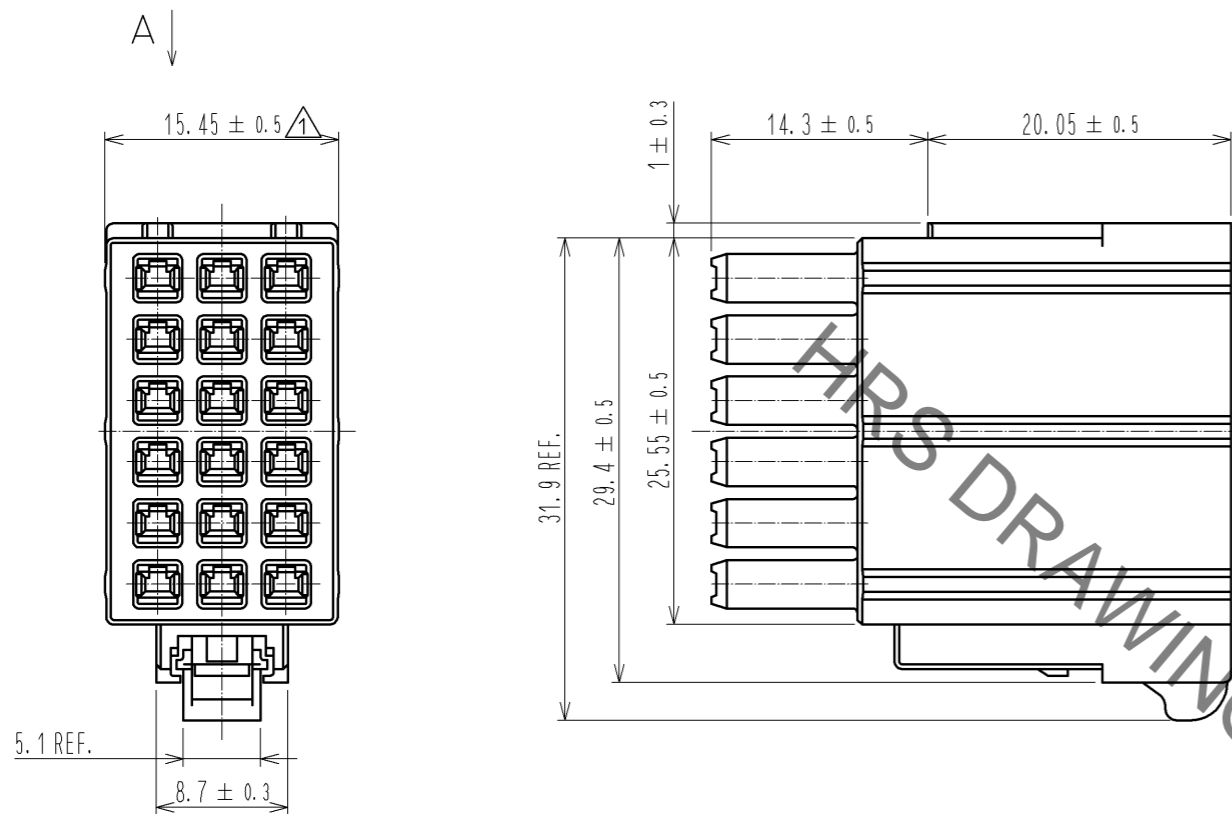
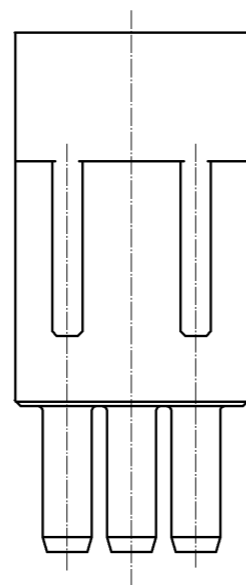
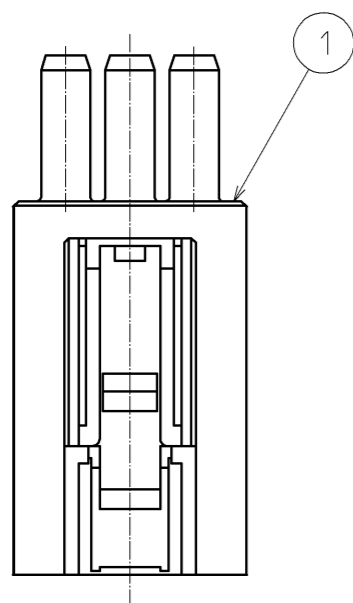


May.1.2021 Copyright 2021 HIROSE ELECTRIC CO., LTD. All Rights Reserved.
 In case of consideration for using Automotive equipment / device which demand high reliability, kindly contact our sales window correspondents.



A DIRECTION VIEW



NOTES ① ASSEMBLING INCORPORABLE CRIMP CONTACT IS SHOWN IN THE TABLE BELOW.

PRODUCT NAME	CL CODE	APPLICABLE CABLE
PQ50S-1822SCFA	CL236-2026-1-00	AWG 18~22
PQ50S-2428SCFA	CL236-2028-7-00	AWG 24~28

2. THIS PRODUCT IS USED INCLUDING IN THE FOLLOWING CONNECTOR.

PRODUCT NAME	CL CODE
PS2-2VS/42C	CL236-1046-3-00

3. APPLICABLE CONNECTOR IS SHOWN IN THE TABLE BELOW.

PRODUCT NAME	CL CODE
PS2-18PC	CL236-1049-1-00

NO.	MATERIAL	FINISH . REMARKS	NO.	MATERIAL	FINISH . REMARKS		
			1	PBT	BLACK . UL94V-0		
UNITS mm		SCALE 2 : 1	COUNT 1	DESCRIPTION OF REVISIONS DIS-E-004405	DESIGNED TS. ITO	CHECKED EJ. WAKATSUKI	DATE 12. 11. 05
HRS HIROSE ELECTRIC CO., LTD.		APPROVED : RI. TAKAYASU	12. 10. 30	DRAWING NO. EDC3-128115-00			
		CHECKED : EJ. WAKATSUKI	12. 10. 30	PART NO. PS2-18SC			
		DESIGNED : TS. ITO	12. 10. 30	CODE NO. CL236-1050-0-00			
		DRAWN : TS. ITO	12. 10. 30				