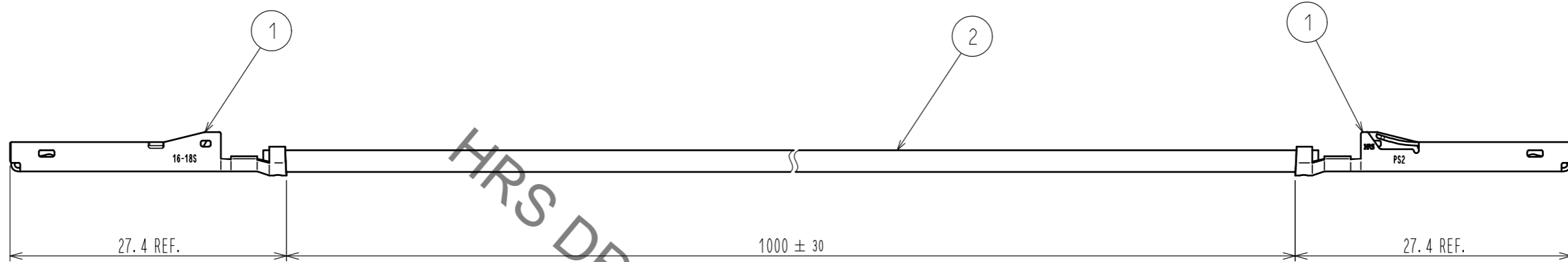


May.1.2021 Copyright 2021 HIROSE ELECTRIC CO., LTD. All Rights Reserved.
In case of consideration for using Automotive equipment / device which demand high reliability, kindly contact our sales window correspondents.



NOTE 1. 5 PCS. / BAG

1	CRIMP CONTACT	PS2-1618SCFA	2	CABLE	UL3385 AWG18		
NO.	MATERIAL	FINISH . REMARKS	NO.	MATERIAL	FINISH . REMARKS		
UNITS mm		SCALE 2 : 1	COUNT 	DESCRIPTION OF REVISIONS	DESIGNED	CHECKED	DATE
HRS HIROSE ELECTRIC CO., LTD.		APPROVED : RI. TAKAYASU	15.06.25	DRAWING NO.	EDC-128945-00-00		
		CHECKED : NM. NISHIMATSU	15.06.25	PART NO.	PS2-1618SCFA-1000A		
		DESIGNED : MO. SHIMOYAMA	15.06.23	CODE NO.	CL236-1070-0-00		
		DRAWN : MO. SHIMOYAMA	15.06.23		1/1		