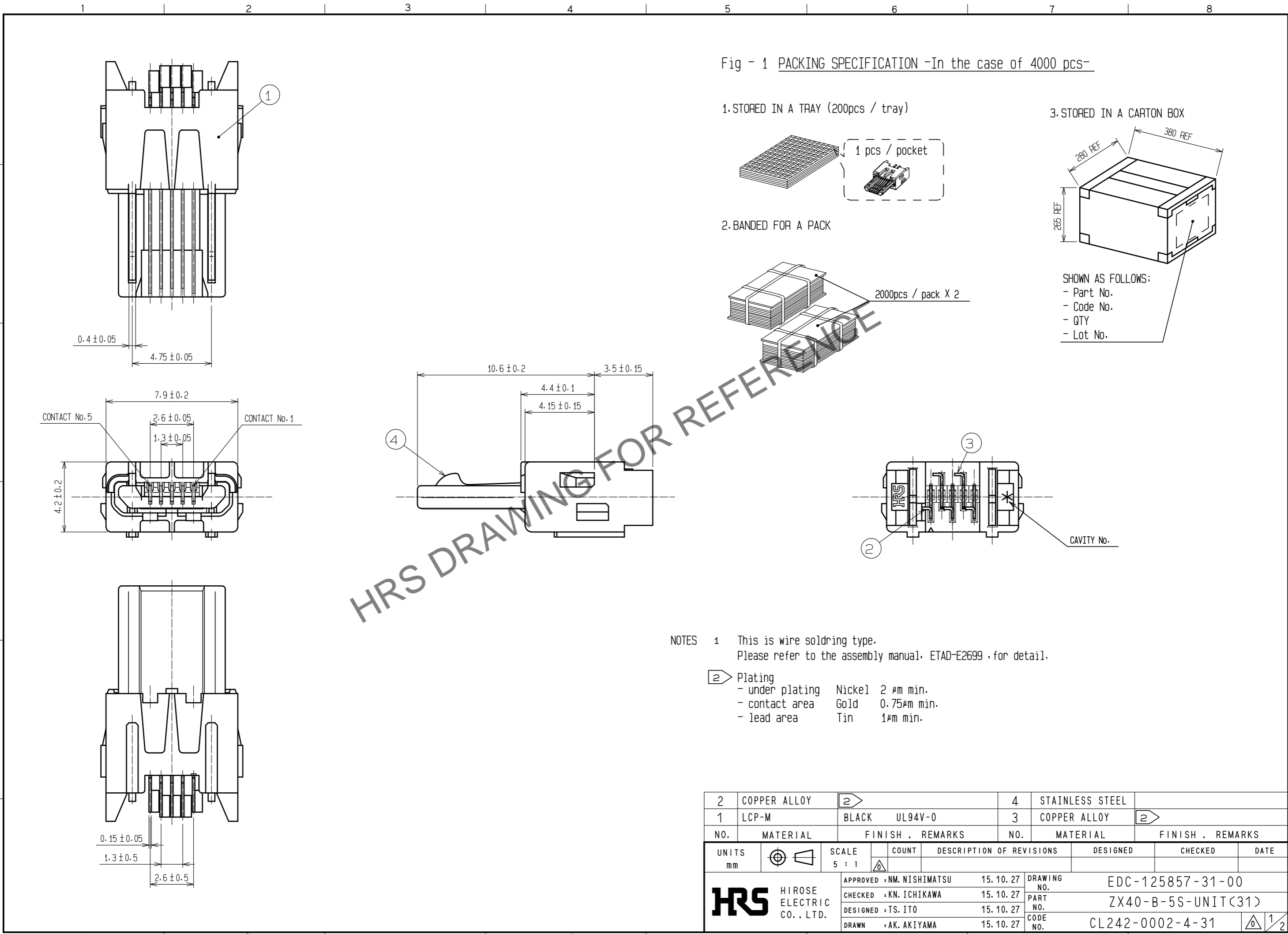


Dec.1.2024 Copyright 2024 HIROSE ELECTRIC CO., LTD. All Rights Reserved.  
In case of consideration for using Automotive equipment / device which demand high reliability, kindly contact our sales window correspondents.



2	COPPER ALLOY	2	4	STAINLESS STEEL				
1	LCP-M	BLACK UL94V-0	3	COPPER ALLOY				
NO.	MATERIAL	FINISH . REMARKS	NO.	MATERIAL	FINISH . REMARKS			
UNITS	mm	SCALE	5 : 1	COUNT	DESCRIPTION OF REVISIONS	DESIGNED	CHECKED	DATE
APPROVED : NM. NISHIMATSU		15.10.27		DRAWING NO.		EDC-125857-31-00		
CHECKED : KN. ICHIKAWA		15.10.27		PART NO.		ZX40-B-5S-UNIT(31)		
DESIGNED : TS. ITO		15.10.27		CODE NO.		CL242-0002-4-31		
DRAWN : AK. AKIYAMA		15.10.27				1/2		

Dec.1.2024 Copyright 2024 HIROSE ELECTRIC CO., LTD. All Rights Reserved.  
In case of consideration for using Automotive equipment / device which demand high reliability, kindly contact our sales window correspondents.

Fig - 2 SHIELDING-PLATE ASSEMBLY

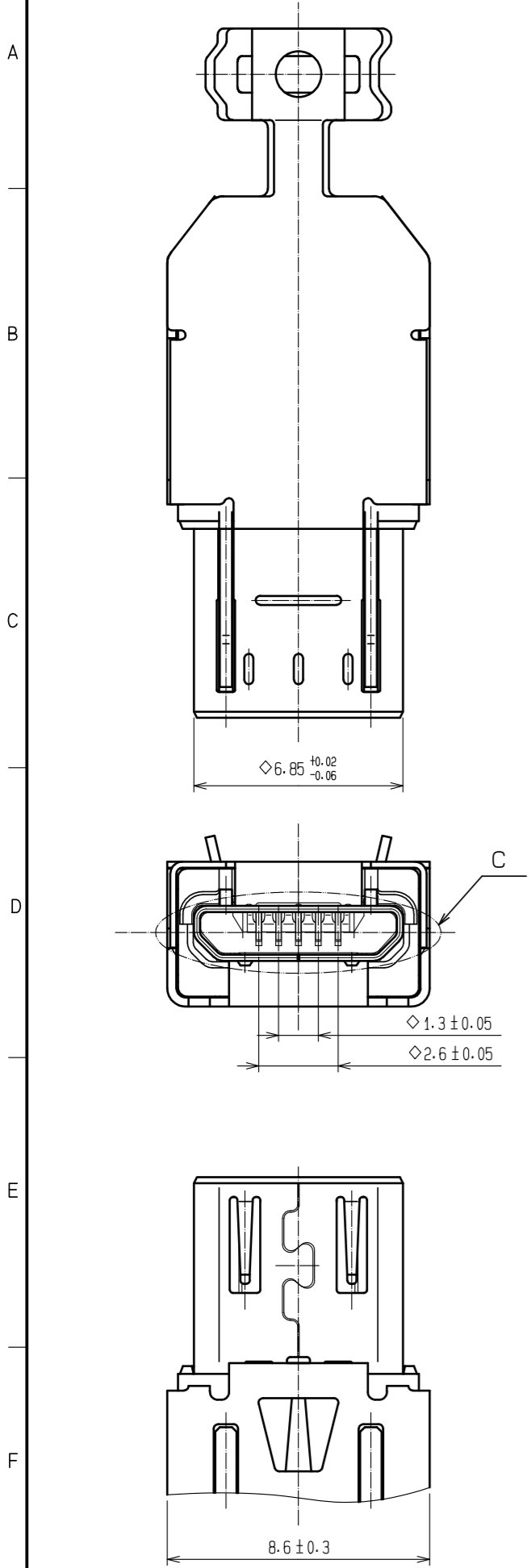
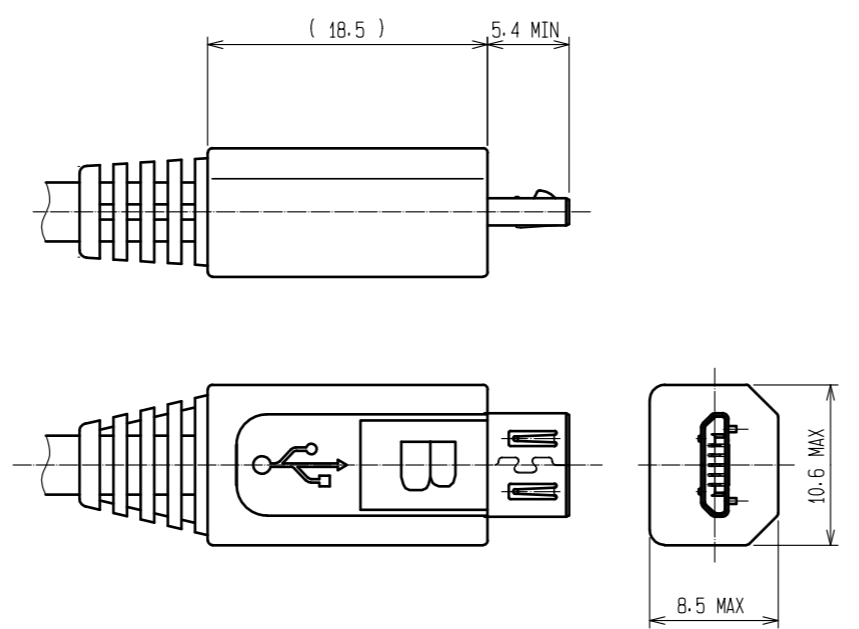
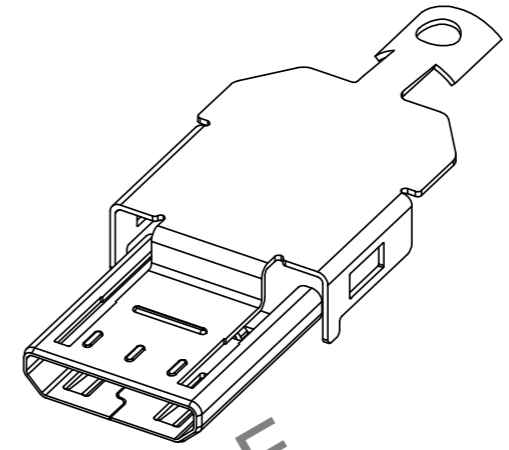


Fig - 3 OVER-MOLDING  
(Refer to USB specification)

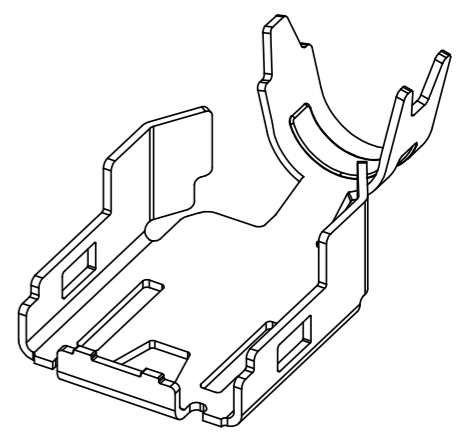


ZX40-B-SLDA  
Code No. CL242-0003-7



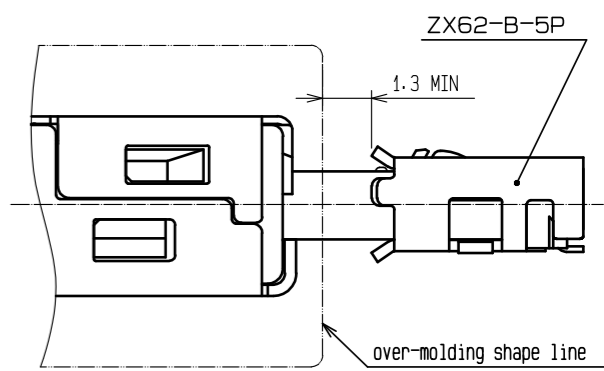
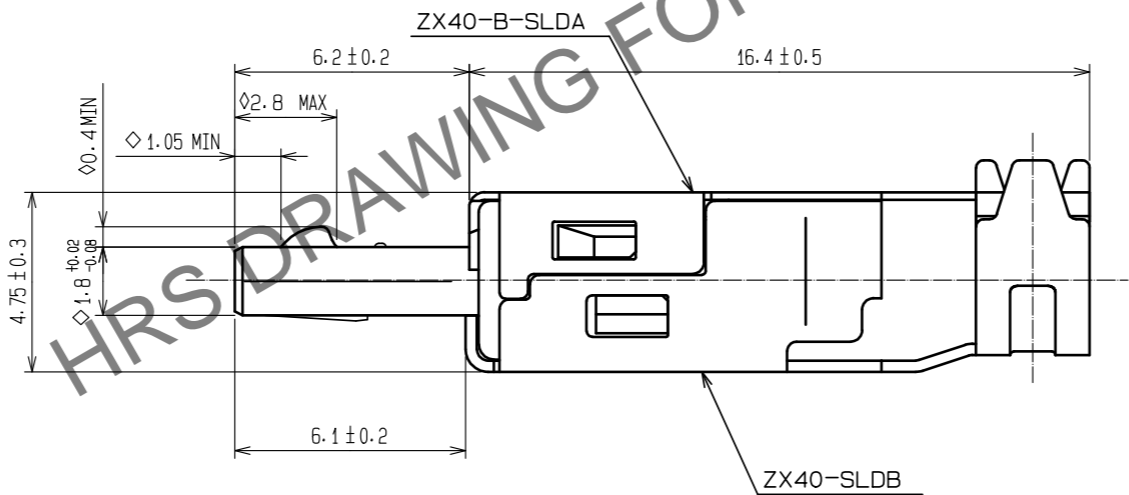
Note:  
- Sold separately  
- Delivered by the reel

ZX40-SLDB  
Code No. CL242-0004-0

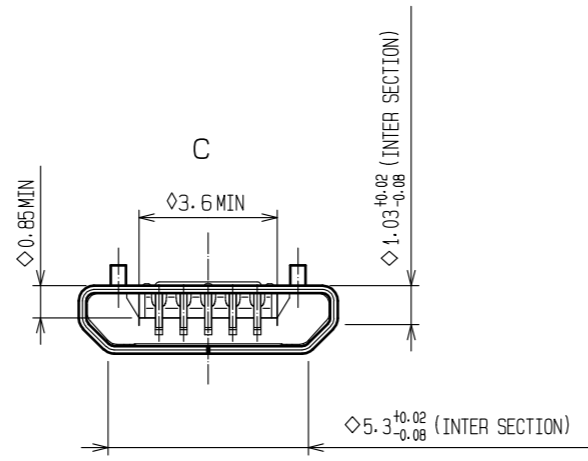


Note:  
- Sold separately  
- Delivered by the reel  
- Applied to  $\phi 3.8 \text{ mm}$  cable

Fig - 4 MATED CONDITION



NOTES 3 Shielding-plates, ZX40-B-SLDA and ZX40-SLDB, are used for assembly.  
4 \* $\phi$ \* symbol added to each dimension means critical dimension on USB specification. Please check them after over-molding.



<b>HRS</b>	DRAWING NO.	EDC-125857-31-00	2/2
	PART NO.	ZX40-B-5S-UNIT(31)	
	CODE NO.	CL242-0002-4-31	