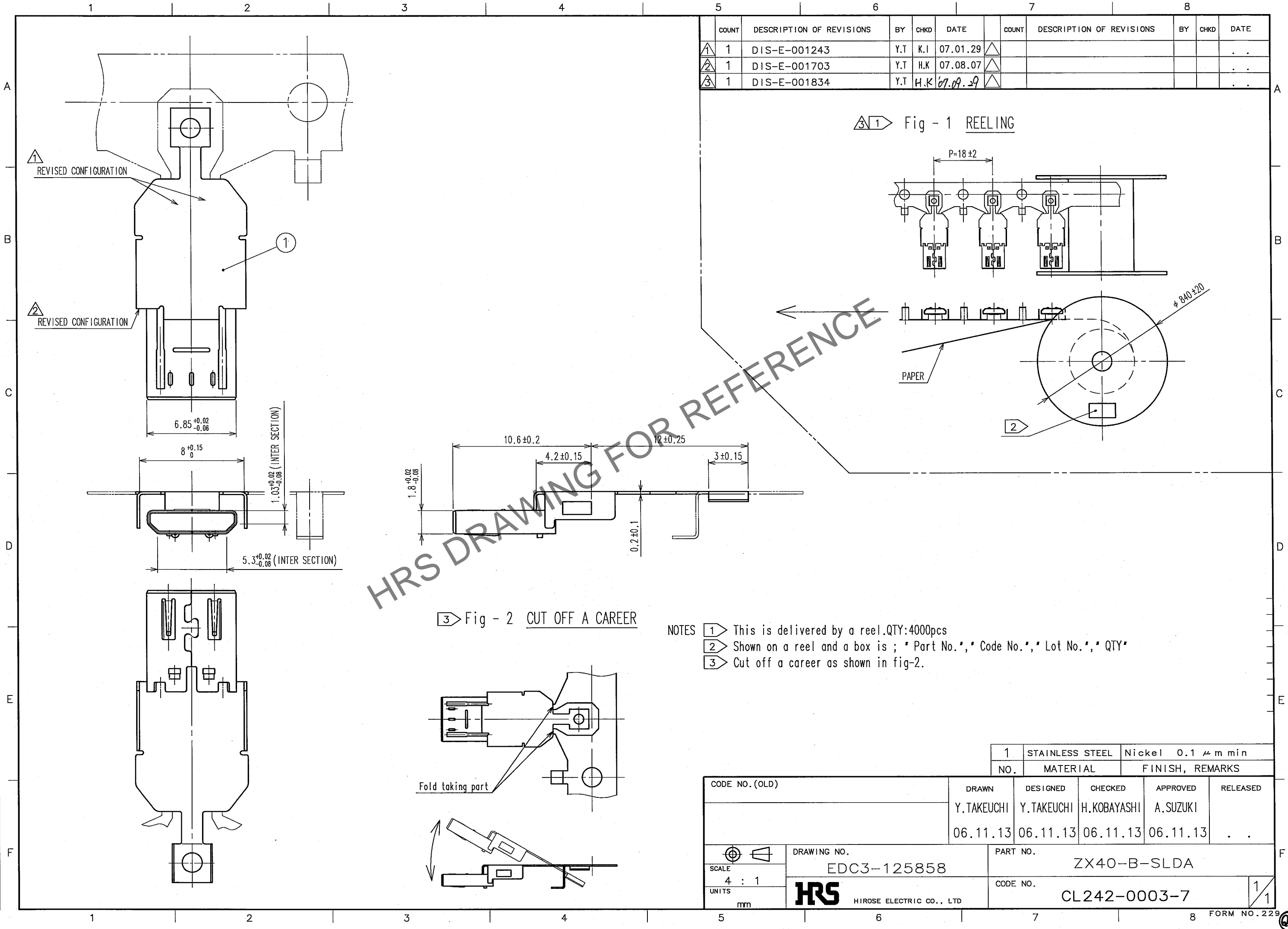


Jan.1.2025 Copyright 2025 HIROSE ELECTRIC CO., LTD. All Rights Reserved.  
 In case of consideration for using Automotive equipment / device which demand high reliability, kindly contact our sales window correspondents.



COUNT	DESCRIPTION OF REVISIONS	BY	CHKD	DATE	COUNT	DESCRIPTION OF REVISIONS	BY	CHKD	DATE
1	DIS-E-001243	Y.T	K.I	07.01.29					
1	DIS-E-001703	Y.T	H.K	07.08.07					
1	DIS-E-001834	Y.T	H.K	07.09.29					

Fig - 1 REELING

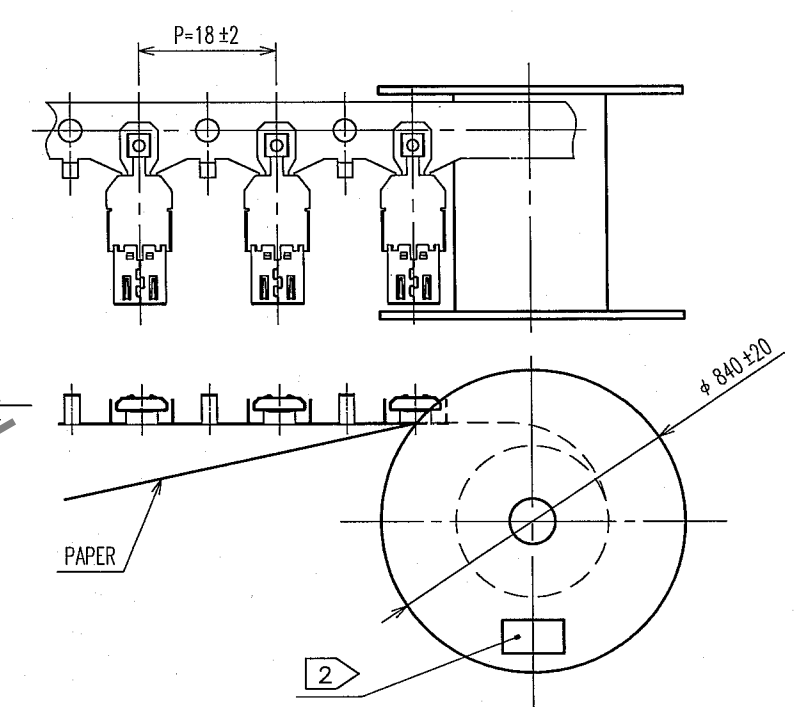
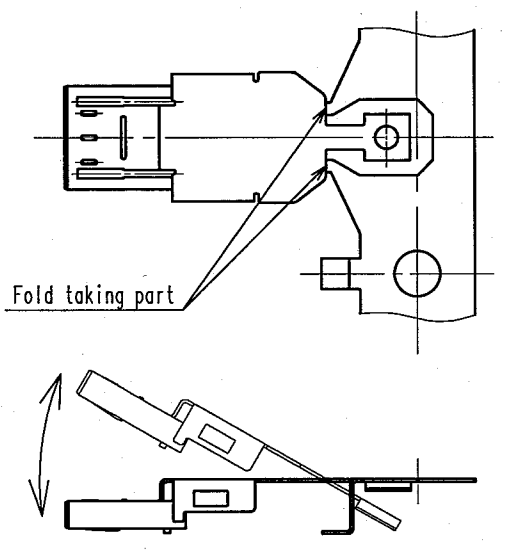
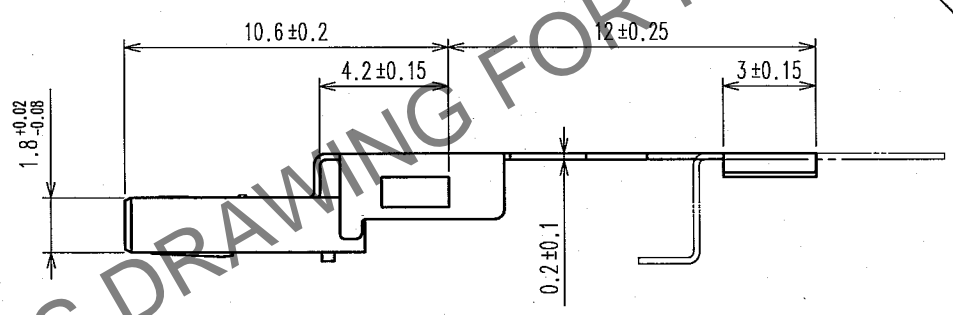


Fig - 2 CUT OFF A CAREER



- NOTES
- 1 This is delivered by a reel.QTY:4000pcs
  - 2 Shown on a reel and a box is ; " Part No.", " Code No.", " Lot No.", " QTY"
  - 3 Cut off a career as shown in fig-2.

1	STAINLESS STEEL	Nickel 0.1 μm min
NO.	MATERIAL	FINISH, REMARKS

CODE NO. (OLD)	DRAWN	DESIGNED	CHECKED	APPROVED	RELEASED
	Y.TAKEUCHI	Y.TAKEUCHI	H.KOBAYASHI	A.SUZUKI	
	06.11.13	06.11.13	06.11.13	06.11.13	
DRAWING NO.	PART NO.				
EDC3-125858	ZX40-B-SLDA				
SCALE	CODE NO.				
4 : 1	CL242-0003-7				
UNITS	HRS HIROSE ELECTRIC CO., LTD				
mm					