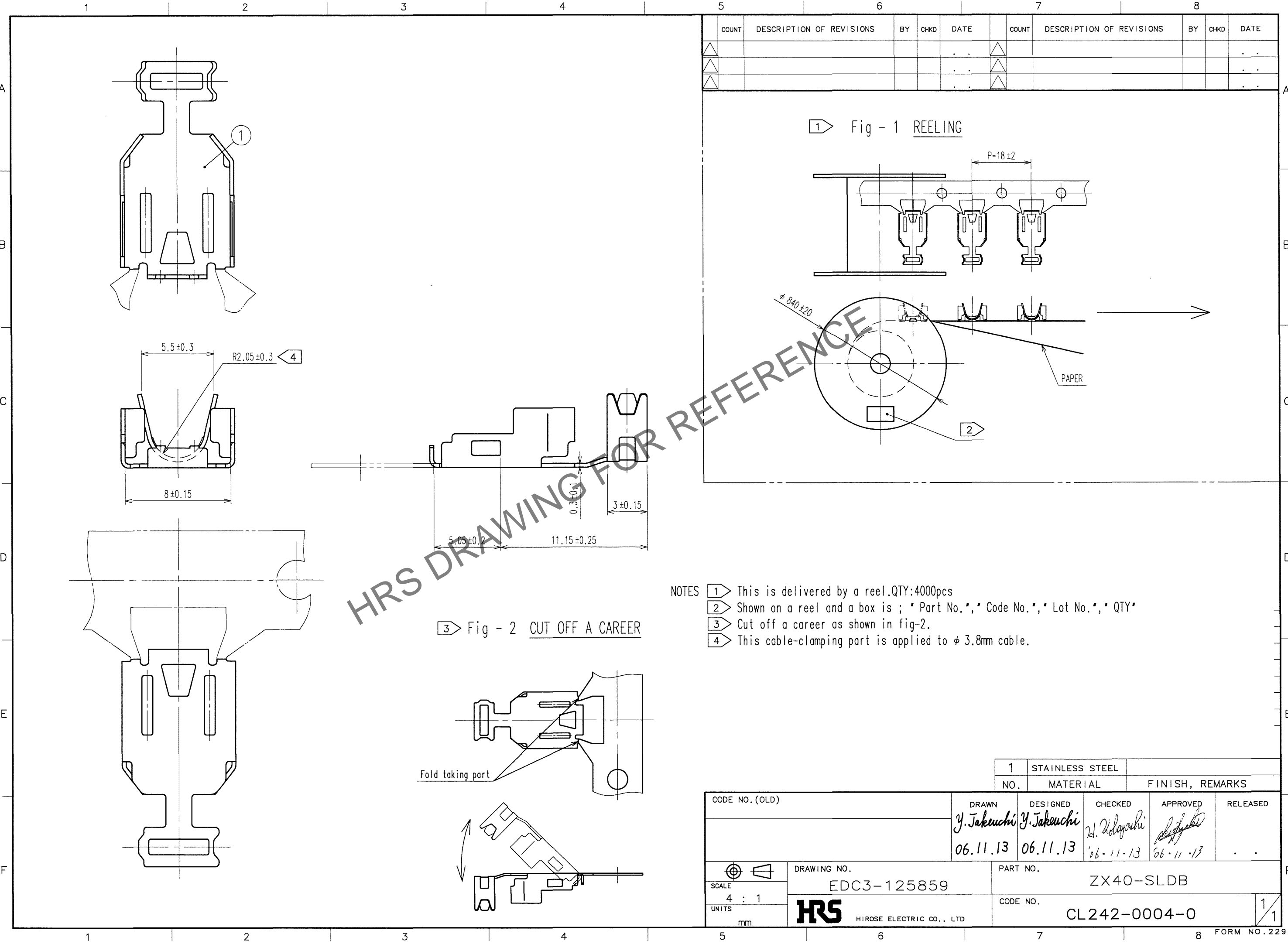
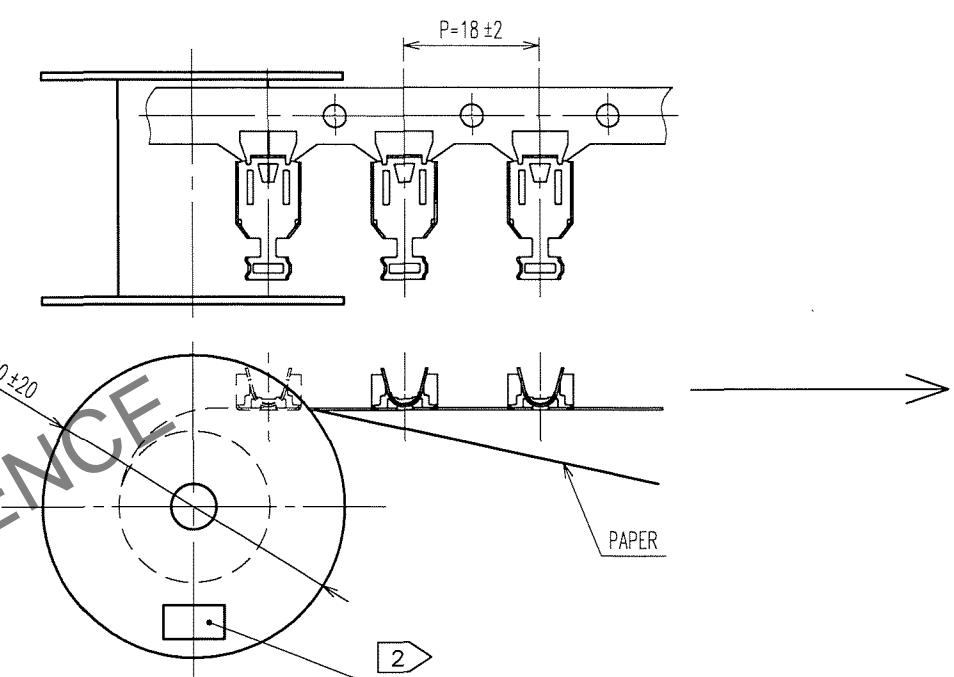


Jan.1.2025 Copyright 2025 HIROSE ELECTRIC CO., LTD. All Rights Reserved.  
 In case of consideration for using Automotive equipment / device which demand high reliability, kindly contact our sales window correspondents.

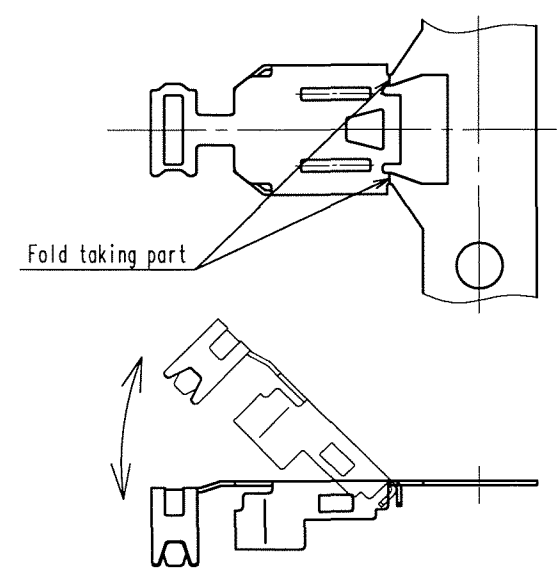


COUNT	DESCRIPTION OF REVISIONS	BY	CHKD	DATE	COUNT	DESCRIPTION OF REVISIONS	BY	CHKD	DATE
△				..	△				..
△				..	△				..
△				..	△				..

1 Fig - 1 REELING



3 Fig - 2 CUT OFF A CAREER



- NOTES
- 1 This is delivered by a reel.QTY:4000pcs
  - 2 Shown on a reel and a box is ; " Part No. ", " Code No. ", " Lot No. ", " QTY "
  - 3 Cut off a career as shown in fig-2.
  - 4 This cable-clamping part is applied to φ 3.8mm cable.

NO.	MATERIAL	FINISH, REMARKS
1	STAINLESS STEEL	

CODE NO. (OLD)	DRAWN	DESIGNED	CHECKED	APPROVED	RELEASED
	Y. Takeuchi	Y. Takeuchi	M. Nakayoshi		
	06.11.13	06.11.13	06.11.13	06.11.13	..

SCALE 4 : 1	DRAWING NO. EDC3-125859	PART NO. ZX40-SLDB
UNITS mm	<b>HRS</b> HIROSE ELECTRIC CO., LTD	CODE NO. CL242-0004-0

TO