

Jun.1.2021 Copyright 2021 HIROSE ELECTRIC CO., LTD. All Rights Reserved.
In case of consideration for using Automotive equipment / device which demand high reliability, kindly contact our sales window correspondents.

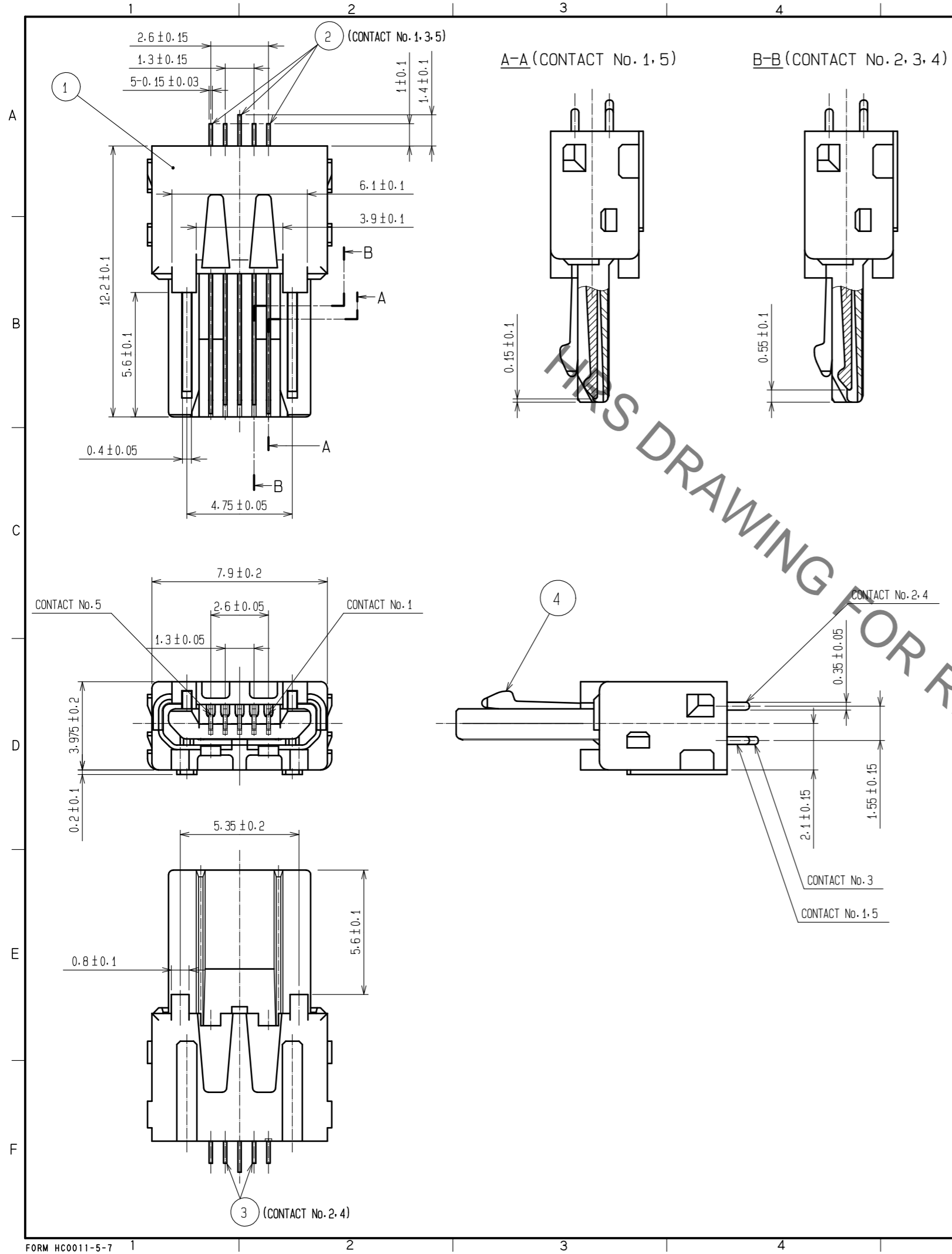
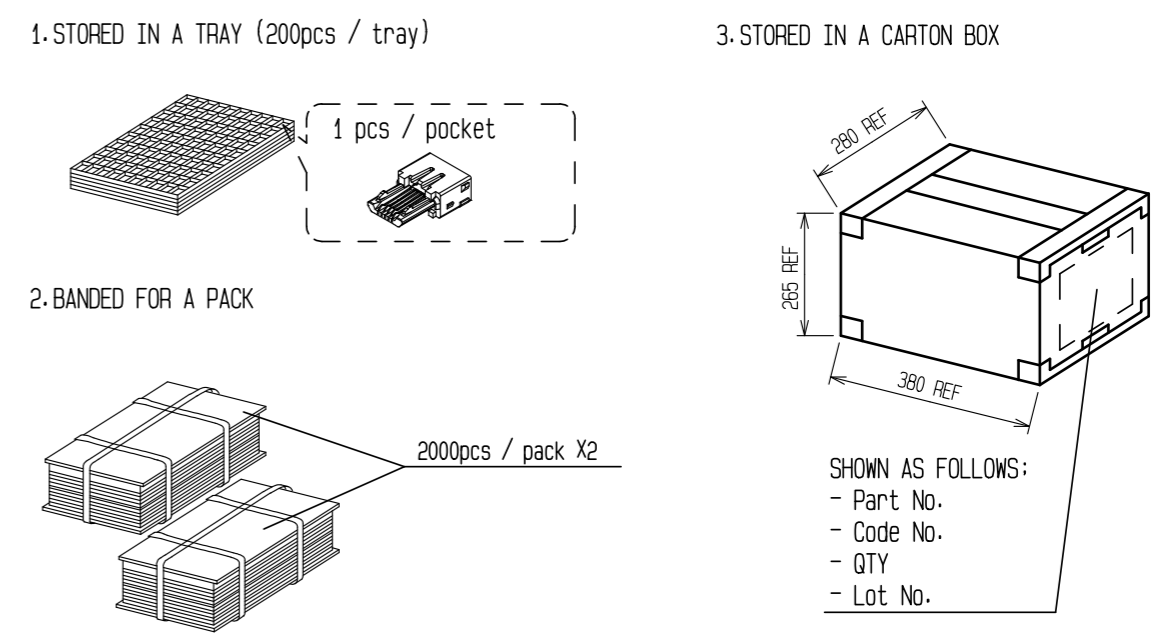


Fig - 1 PACKING SPECIFICATION -In the case of 4000 pcs-



NOTES 1 PLATING
 UNDER PLATING : NICKEL 2 μm MIN.
 CONTACT AREA : GOLD 0.75 μm MIN.
 LEAD AREA : TIN 1 μm MIN.

2	COPPER ALLOY	1	4	STAINLESS STEEL				
1	LCP	UL94V-0, BLACK	3	COPPER ALLOY				
NO.	MATERIAL	FINISH, REMARKS	NO.	MATERIAL	FINISH, REMARKS			
UNITS	mm	SCALE	5 : 1	COUNT	DESCRIPTION OF REVISIONS	DESIGNED	CHECKED	DATE
		APPROVED : NM. NISHIMATSU	15.10.27	DRAWING NO.		EDC-126085-30-00		
		CHECKED : KN. ICHIKAWA	15.10.27	PART NO.		ZX20-B-5S-UNIT(30)		
		DESIGNED : TS. ITO	15.10.27	CODE NO.		CL242-0012-8-30		
		DRAWN : AK. AKIYAMA	15.10.27			1/2		

Jun.1.2021 Copyright 2021 HIROSE ELECTRIC CO., LTD. All Rights Reserved.
 In case of consideration for using Automotive equipment / device which demand high reliability, kindly contact our sales window correspondents.

2 Fig-2 SHIELDING-PLATE ASSEMBLY

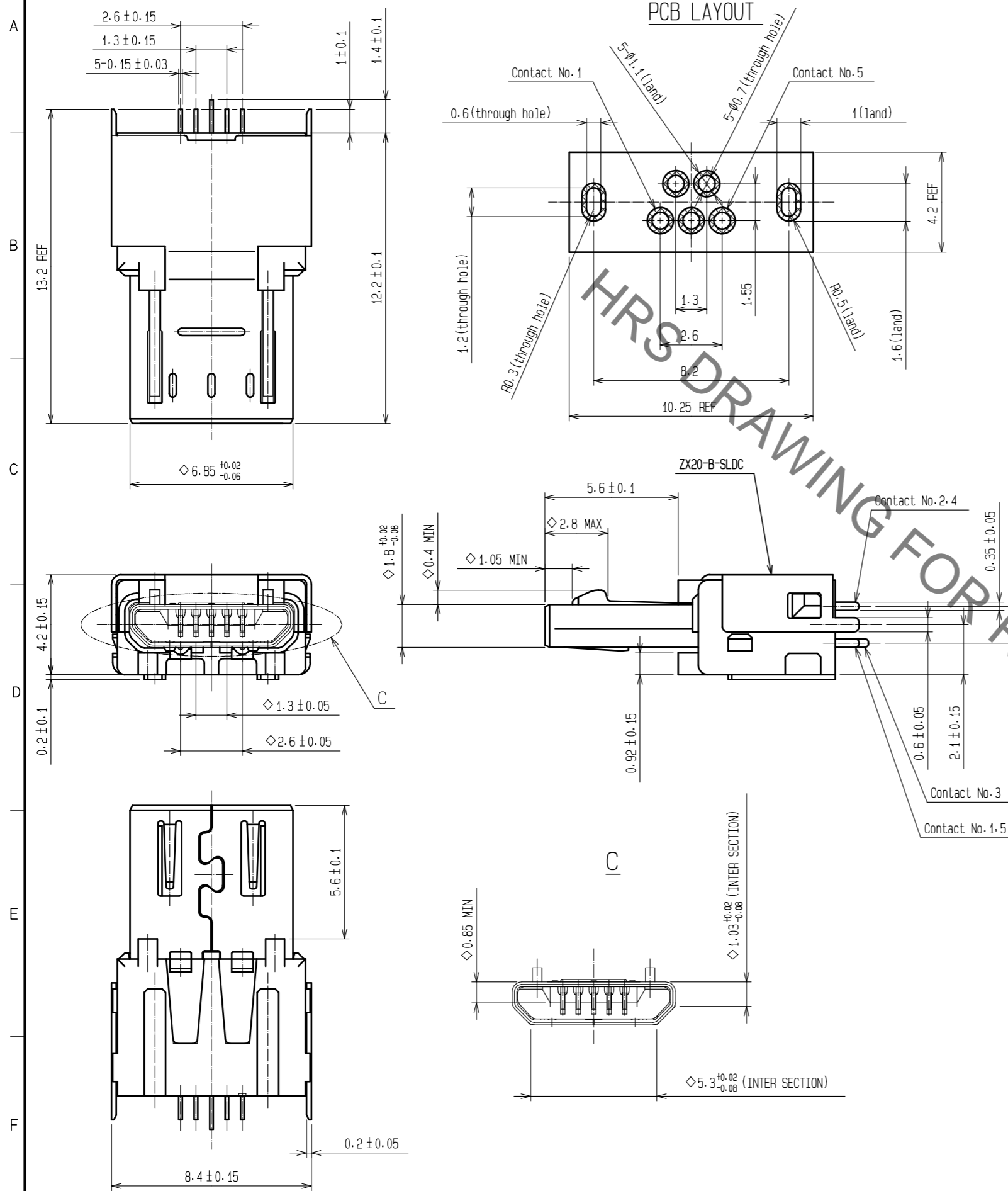
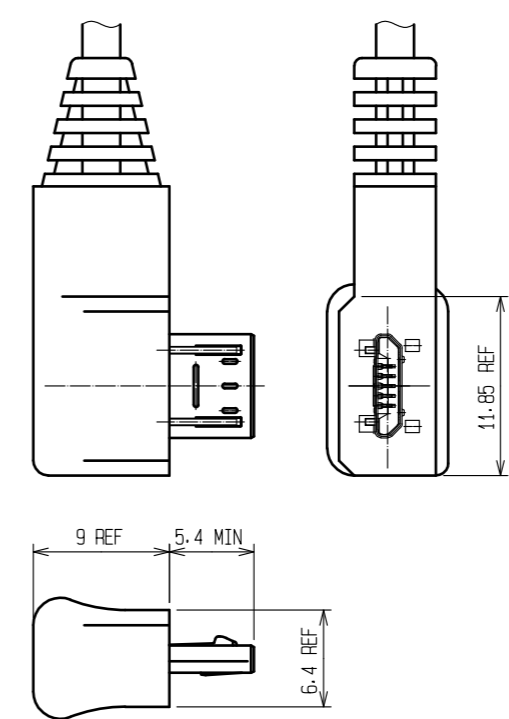
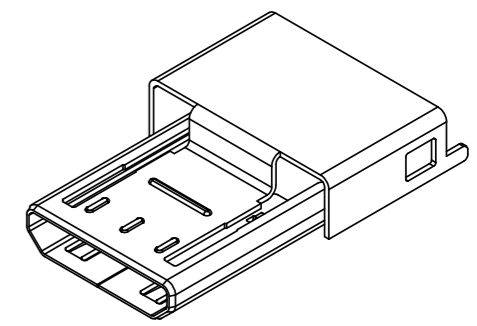


Fig-3 OVER-MOLDING(REFERENCE)

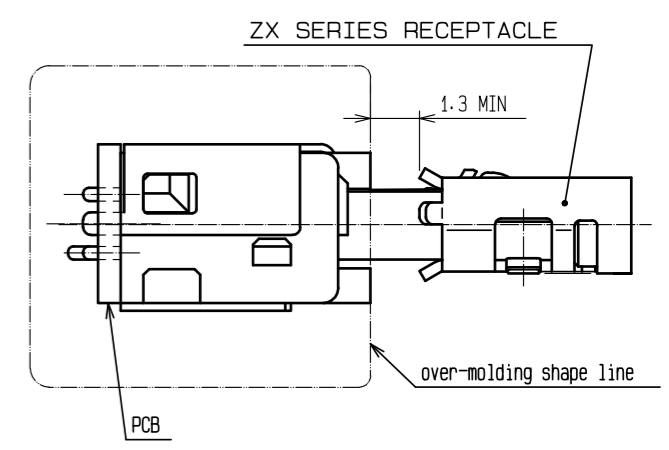


2 ZX20-B-SLDC
Code No. CL242-0022-1



NOTE:
 - SOLD SEPARATELY
 - DELIVERED BY THE REEL

Fig-4 MATED CONDITION



NOTES 2 SHIELDING-PLATE, ZX20-B-SLDC, IS USED FOR ASSEMBLY.

3. *◇*SYMBOL ADDED TO EACH DIMENSION MEANS CRITICAL DIMENSION ON USB SPECIFICATION. PLEASE CHECK THEM AFTER OVER-MOLDING.

HRS	DRAWING NO.	EDC-126085-30-00
	PART NO.	ZX20-B-5S-UNIT<30>
	CODE NO.	CL242-0012-8-30
		2/2