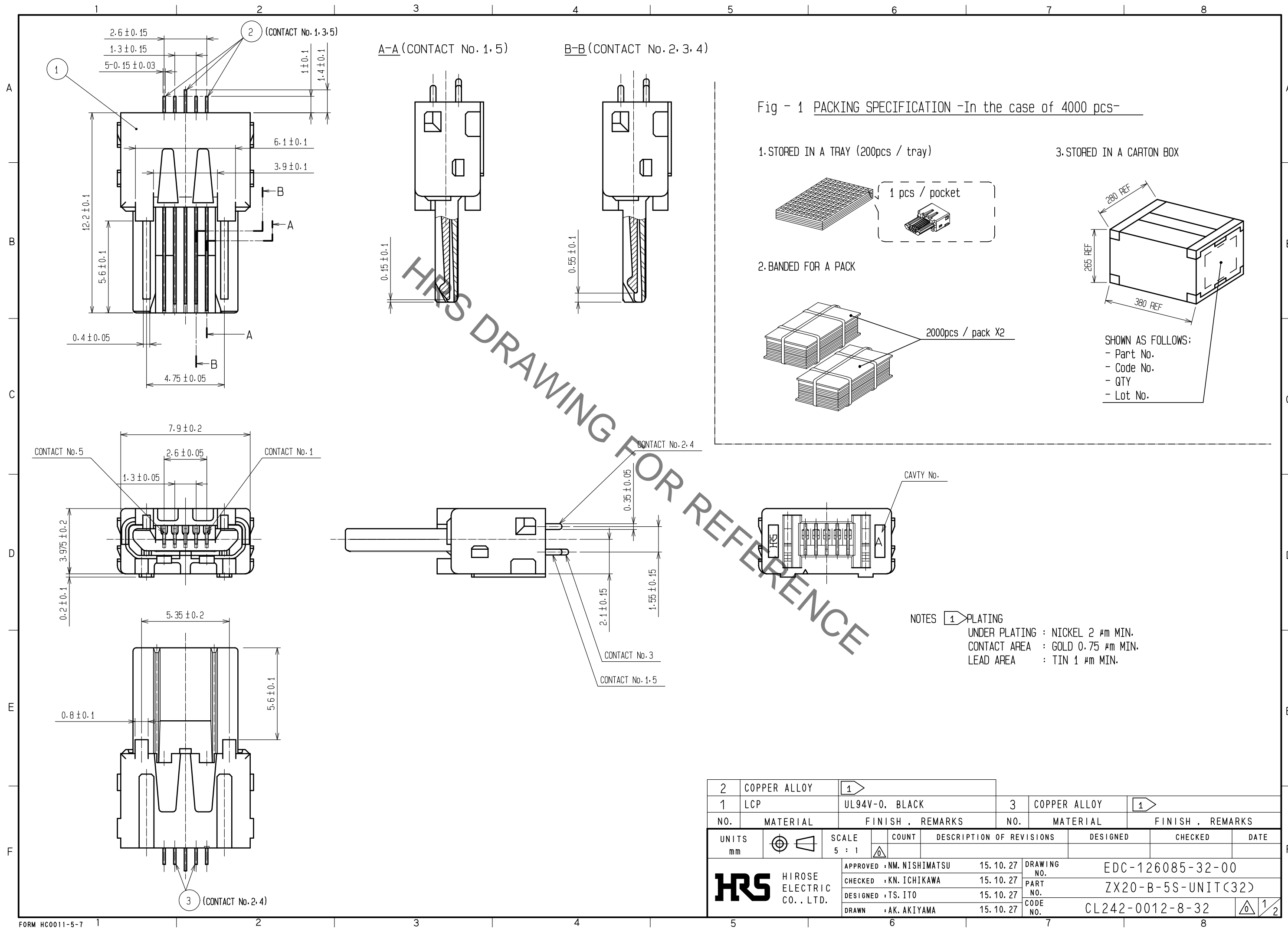


Jun.1.2021 Copyright 2021 HIROSE ELECTRIC CO., LTD. All Rights Reserved.
In case of consideration for using Automotive equipment / device which demand high reliability, kindly contact our sales window correspondents.



| 2 | COPPER ALLOY | 1 | | | | | | |
|-------|--------------|------------------|------------------|----------|--------------------------|--------------------|---------|------|
| 1 | LCP | UL94V-0, BLACK | 3 | | | | | |
| 3 | COPPER ALLOY | 1 | | | | | | |
| NO. | MATERIAL | FINISH . REMARKS | NO. | MATERIAL | FINISH . REMARKS | | | |
| UNITS | mm | SCALE | 5 : 1 | COUNT | DESCRIPTION OF REVISIONS | DESIGNED | CHECKED | DATE |
| | | APPROVED | : NM. NISHIMATSU | 15.10.27 | DRAWING NO. | EDC-126085-32-00 | | |
| | | CHECKED | : KN. ICHIKAWA | 15.10.27 | PART NO. | ZX20-B-5S-UNIT(32) | | |
| | | DESIGNED | : TS. ITO | 15.10.27 | CODE NO. | CL242-0012-8-32 | | |
| | | DRAWN | : AK. AKIYAMA | 15.10.27 | | 1/2 | | |

Jun.1.2021 Copyright 2021 HIROSE ELECTRIC CO., LTD. All Rights Reserved.
In case of consideration for using Automotive equipment / device which demand high reliability, kindly contact our sales window correspondents.

Fig-2 SHIELDING-PLATE ASSEMBLY

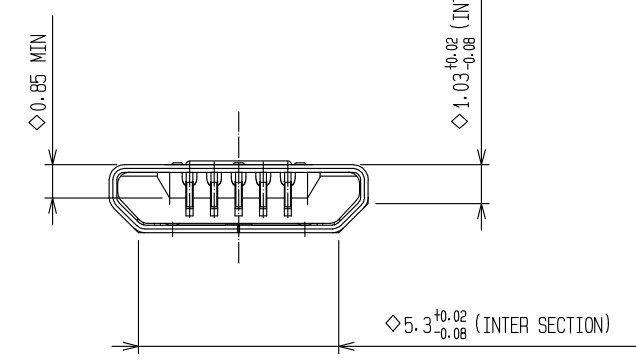
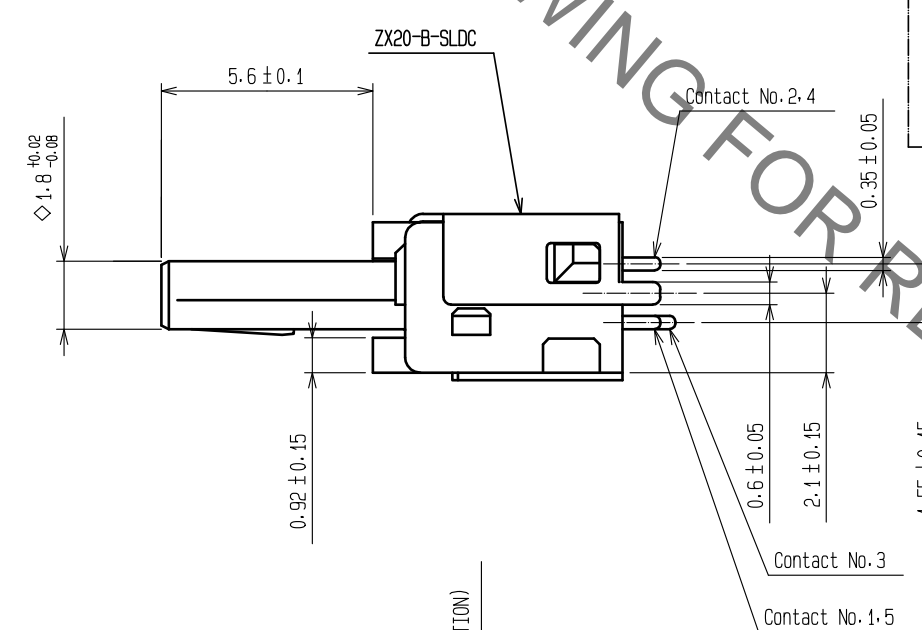
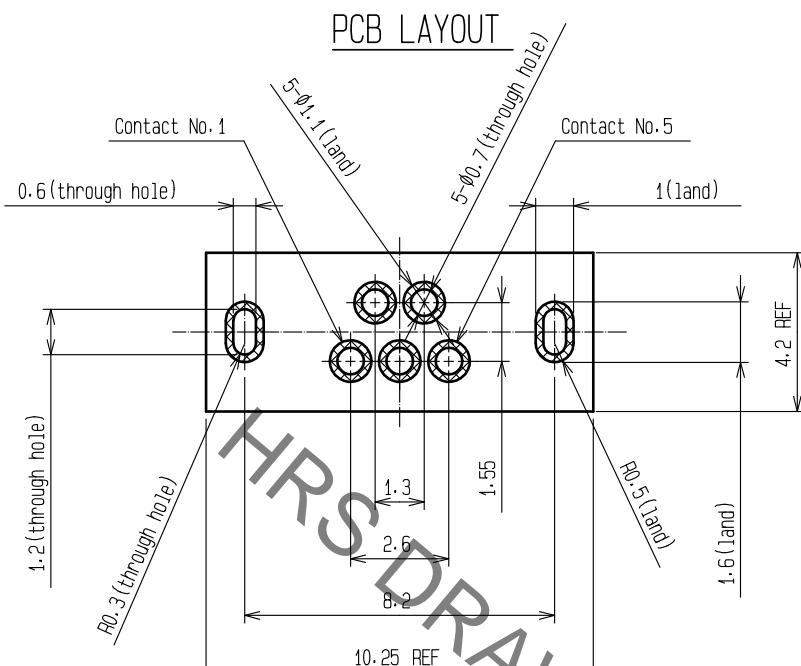
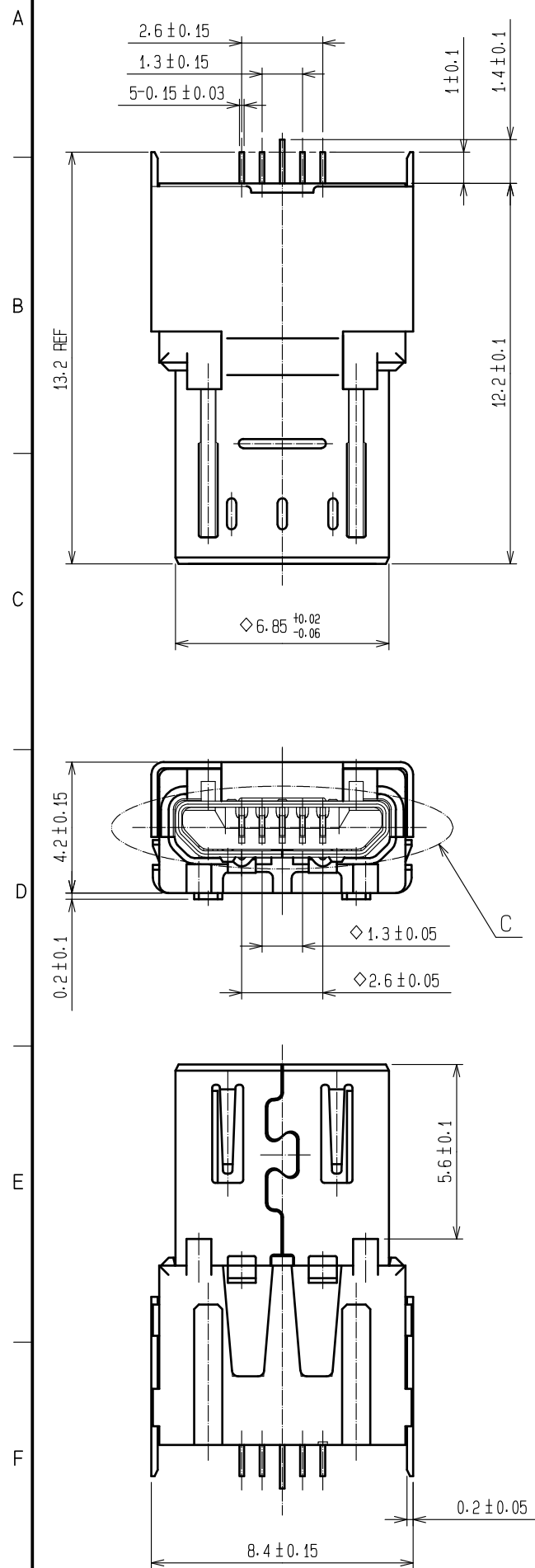
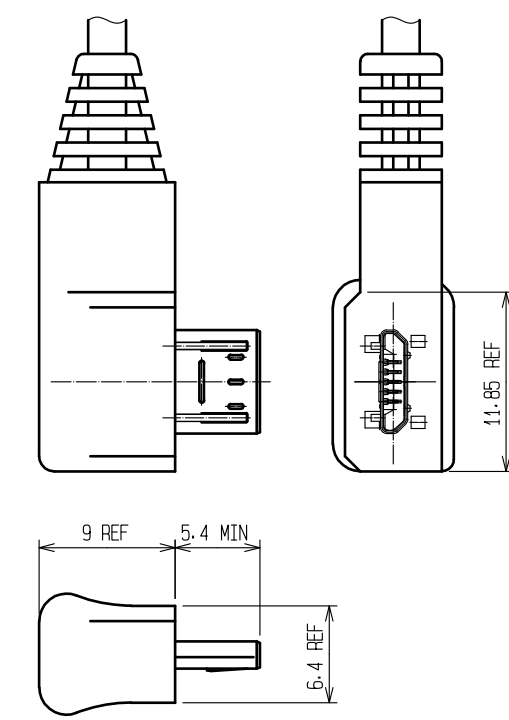
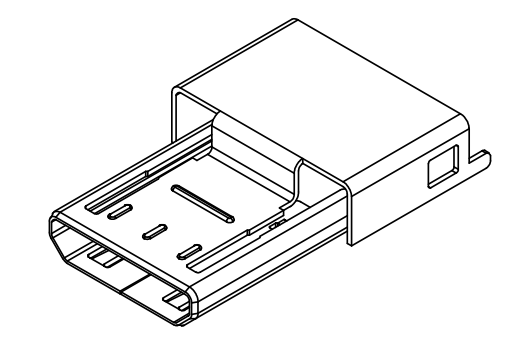


Fig-3 OVER-MOLDING(REFERENCE)

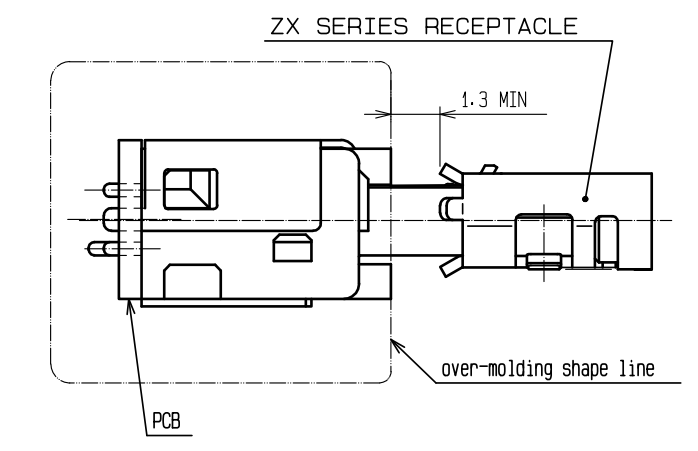


ZX20-B-SLDC
Code No. CL242-0022-1



NOTE:
- SOLD SEPARATELY
- DELIVERED BY THE REEL

Fig-4 MATED CONDITION



NOTES 2 SHIELDING-PLATE, ZX20-B-SLDC, IS USED FOR ASSEMBLY.

3. *◇*SYMBOL ADDED TO EACH DIMENSION MEANS CRITICAL DIMENSION ON USB SPECIFICATION. PLEASE CHECK THEM AFTER OVER-MOLDING.

| | | |
|------------|-------------|--------------------|
| HRS | DRAWING NO. | EDC-126085-32-00 |
| | PART NO. | ZX20-B-5S-UNIT(32) |
| | CODE NO. | CL242-0012-8-32 |
| | | 2/2 |