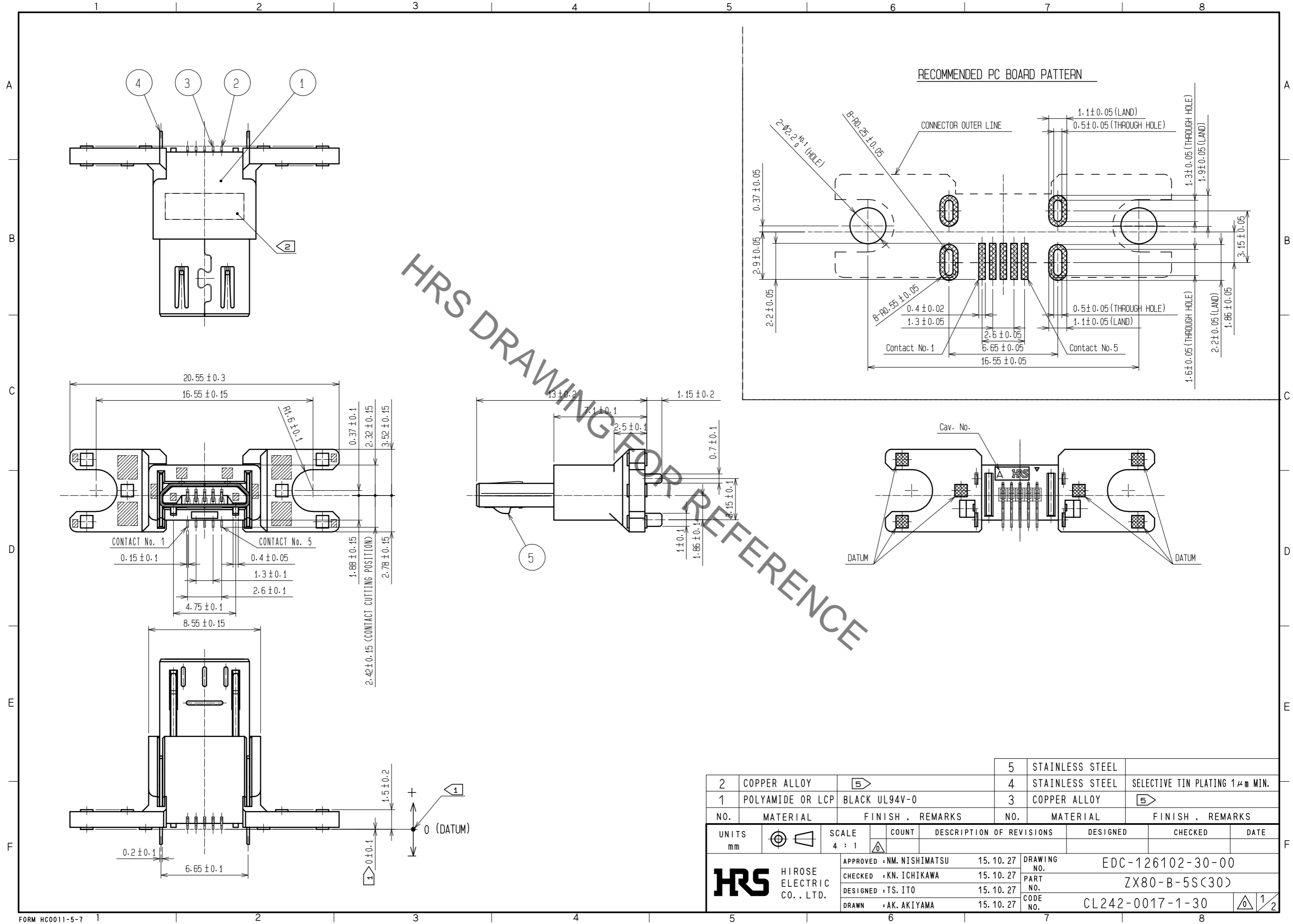


Aug.1.2021 Copyright 2021 HIROSE ELECTRIC CO., LTD. All Rights Reserved.
 In case of consideration for using Automotive equipment / device which demand high reliability, kindly contact our sales window correspondents.



HRS DRAWING TOP REFERENCE

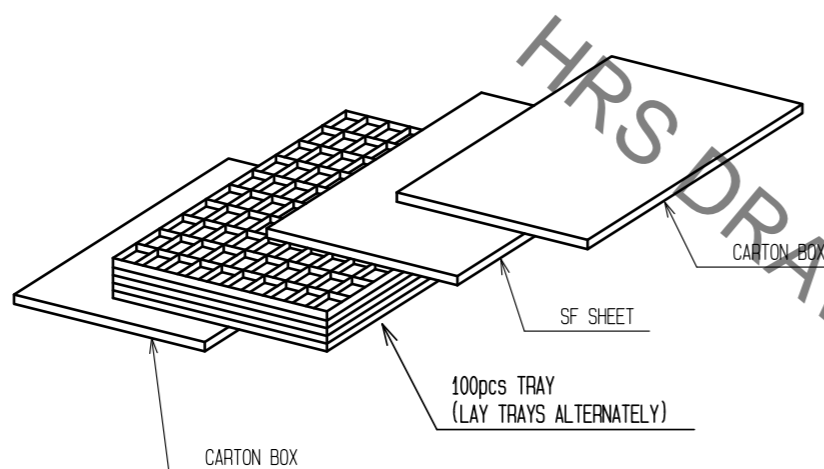
2	COPPER ALLOY	5	5	STAINLESS STEEL				
1	POLYAMIDE OR LCP	BLACK UL94V-0	4	STAINLESS STEEL	SELECTIVE TIN PLATING 1 μm MIN.			
			3	COPPER ALLOY	5			
NO.	MATERIAL	FINISH . REMARKS	NO.	MATERIAL	FINISH . REMARKS			
UNITS	mm	SCALE	4 : 1	COUNT	DESCRIPTION OF REVISIONS	DESIGNED	CHECKED	DATE
HRS HIROSE ELECTRIC CO., LTD.		APPROVED : NM. NISHIMATSU	15.10.27	DRAWING NO. EDC-126102-30-00				
		CHECKED : KN. ICHIKAWA	15.10.27	PART NO. ZX80-B-5S(30)				
		DESIGNED : TS. ITO	15.10.27	CODE NO. CL242-0017-1-30				
		DRAWN : AK. AKIYAMA	15.10.27					

Aug.1.2021 Copyright 2021 HIROSE ELECTRIC CO., LTD. All Rights Reserved.
 In case of consideration for using Automotive equipment / device which demand high reliability, kindly contact our sales window correspondents.

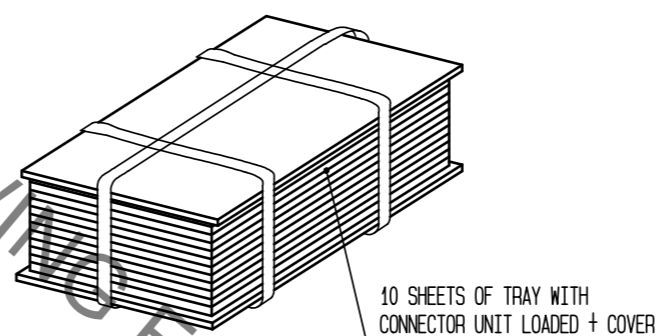
3 FIG-2 DRAWING FOR PACKING(AT 2000 pcs PACKING.)

THIS IS ONE EXAMPLE OF PACKING METHOD, AND IT MAY CHANGE WITHOUT ANY NOTICE, DEPENDING ON VOLUME.

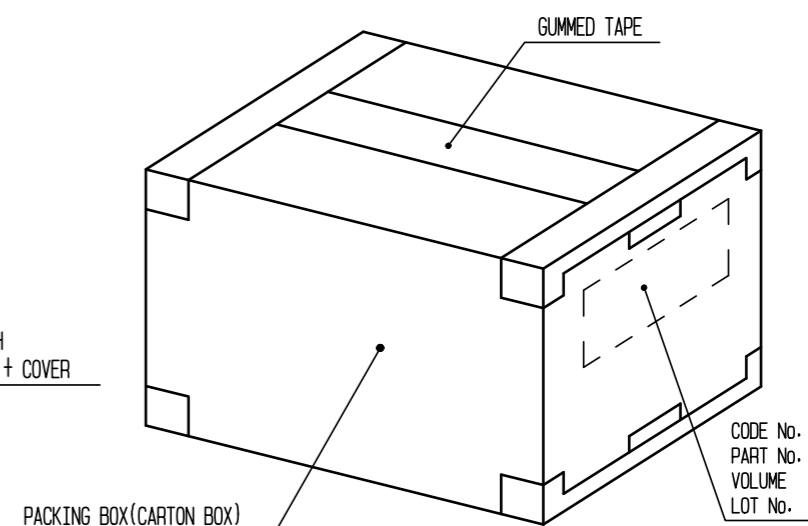
1. STORE CONNECTORS IN A TRAY.



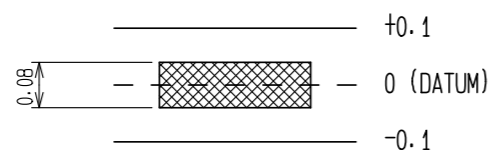
2. BAND TRAYS AS SHOWN BELOW.



3. STORE 2 UNITS OF BANDED TRAY INTO A CARTON BOX(K-1)
 (STORE A BOUNDARY PLATE ON TOP OF THE SURFACE, THEN CLOSE THE BOX BY STICKING GUMMED TAPE IN FOUR PARTS)



NOTES. 1 DIMENSIONS OF SMT RANGE AND CO-PLANARITY ARE AS SHOWN BELOW.



- 2 LOT No. SHALL BE INDICATED AT THE POSITION AS SHOWN.
- 3 THIS PRODUCT IS TRAY PACKING, AND 100 CONNECTORS FOR EACH TRAY. MINIMUM ORDER QUANTITY WILL BE 100 pcs PER UNIT.
- 4. THE SHADED AREAS SHOW LOCATIONS OF EJECTOR PINS.
- 5 PLATING
 CONTACT AREA : GOLD 0.75μm MIN.
 READ AREA : GOLD 0.03μm MIN.
 UNDER PLATING: NICKEL 2μm MIN.

HRS DRAWING FOR REFERENCE

HRS	DRAWING NO.	EDC-126102-30-00
	PART NO.	ZX80-B-5S(30)
	CODE NO.	CL242-0017-1-30

2/2