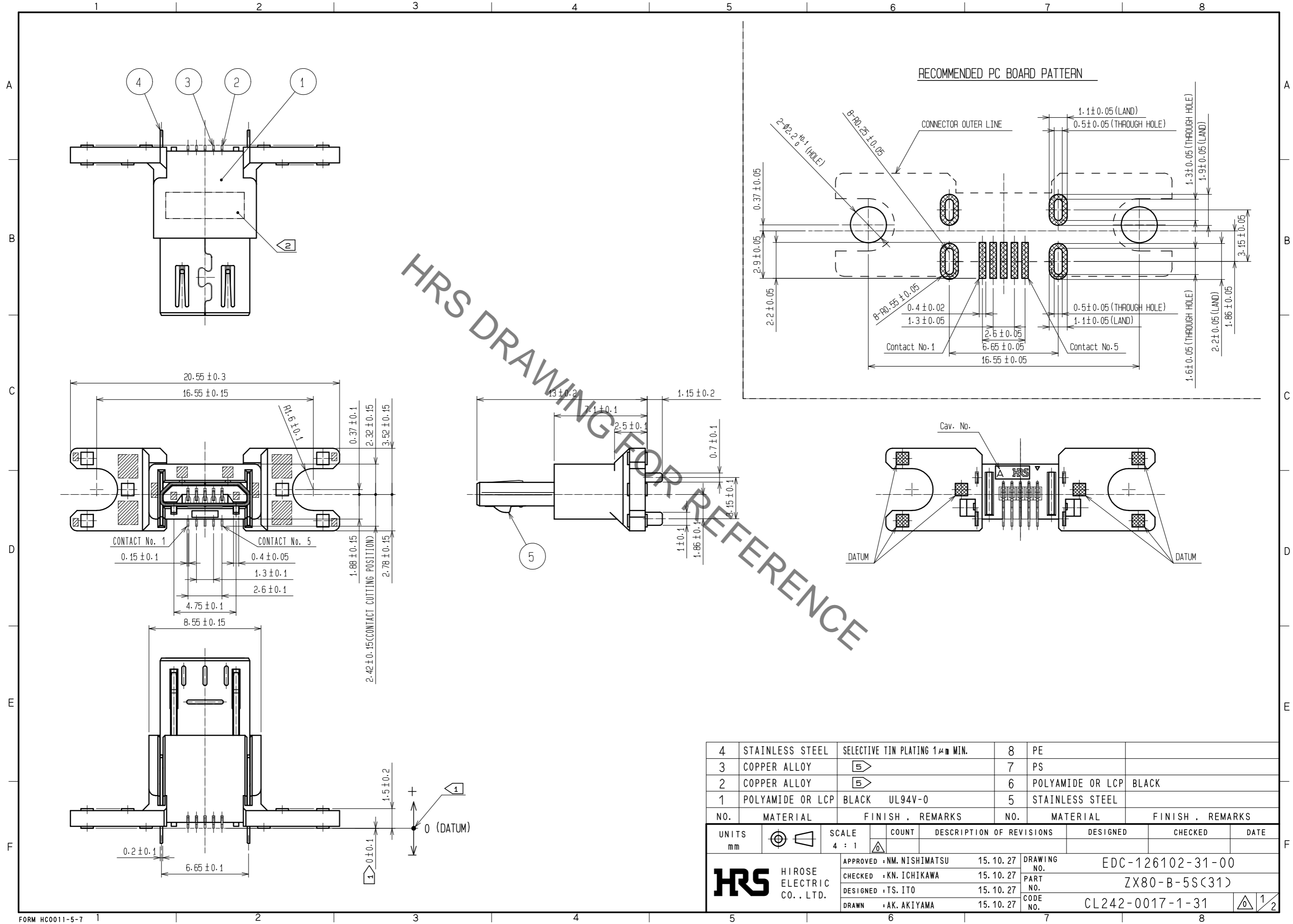


Aug.1.2021 Copyright 2021 HIROSE ELECTRIC CO., LTD. All Rights Reserved.  
 In case of consideration for using Automotive equipment / device which demand high reliability, kindly contact our sales window correspondents.

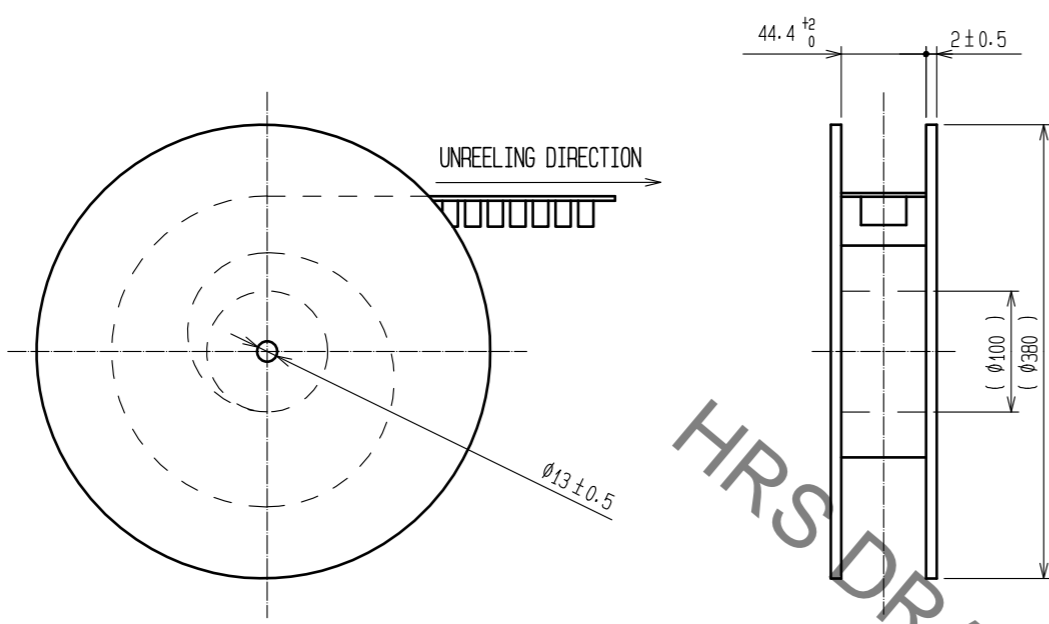


HRS DRAWING FOR REFERENCE

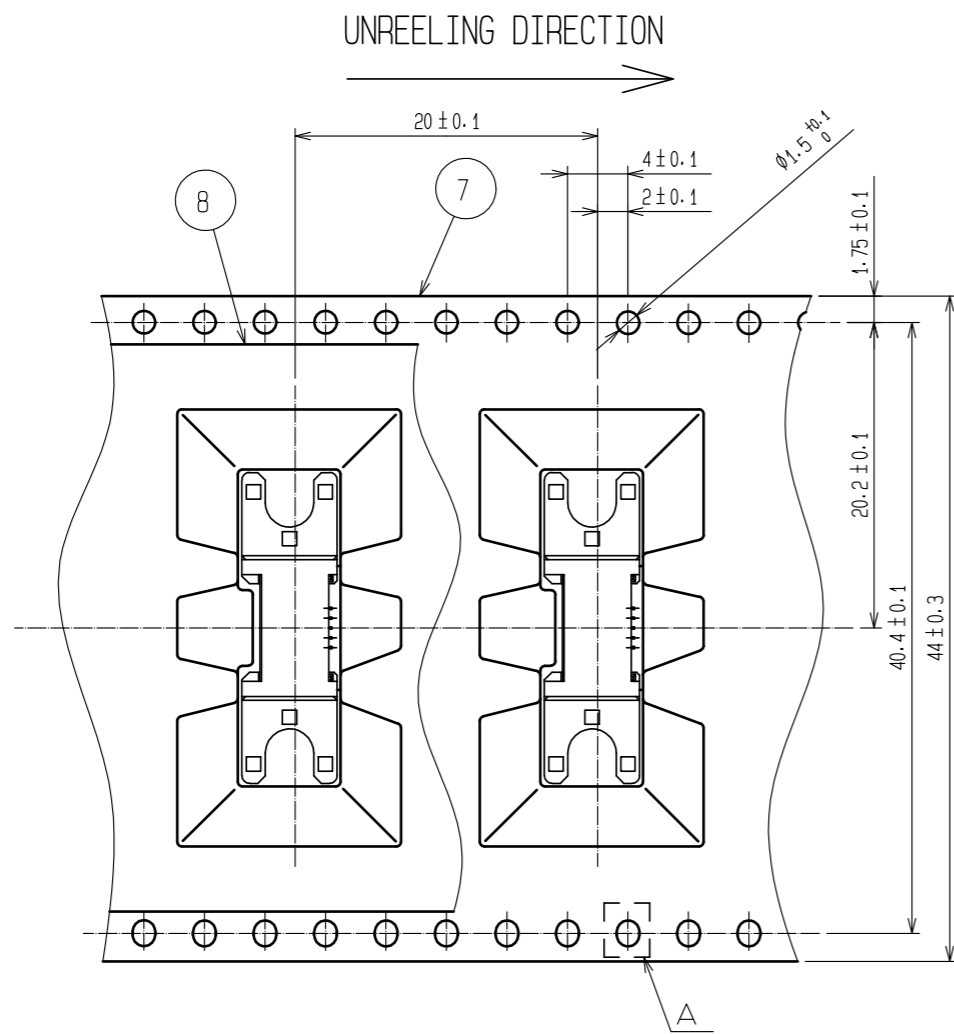
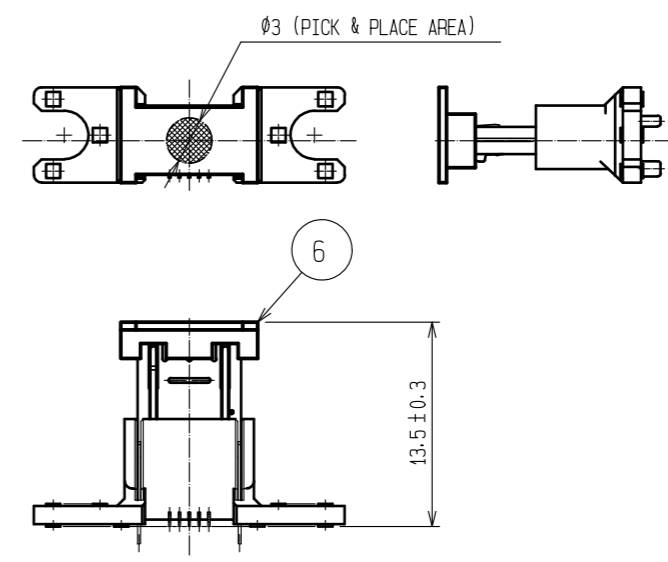
4	STAINLESS STEEL	SELECTIVE TIN PLATING 1μm MIN.	8	PE	
3	COPPER ALLOY	⑤	7	PS	
2	COPPER ALLOY	⑤	6	POLYAMIDE OR LCP	BLACK
1	POLYAMIDE OR LCP	BLACK UL94V-0	5	STAINLESS STEEL	
NO.	MATERIAL	FINISH . REMARKS	NO.	MATERIAL	FINISH . REMARKS
UNITS	mm	SCALE	4 : 1	COUNT	DESCRIPTION OF REVISIONS
		APPROVED	: NM. NISHIMATSU	15.10.27	DESIGNED
		CHECKED	: KN. ICHIKAWA	15.10.27	CHECKED
		DESIGNED	: TS. ITO	15.10.27	DATE
		DRAWN	: AK. AKIYAMA	15.10.27	
<b>HRS</b> HIROSE ELECTRIC CO., LTD.			APPROVED : NM. NISHIMATSU 15.10.27 CHECKED : KN. ICHIKAWA 15.10.27 DESIGNED : TS. ITO 15.10.27 DRAWN : AK. AKIYAMA 15.10.27	DRAWING NO. EDC-126102-31-00 PART NO. ZX80-B-5S(31) CODE NO. CL242-0017-1-31	1/2

Aug.1.2021 Copyright 2021 HIROSE ELECTRIC CO., LTD. All Rights Reserved.  
 In case of consideration for using Automotive equipment / device which demand high reliability, kindly contact our sales window correspondents.

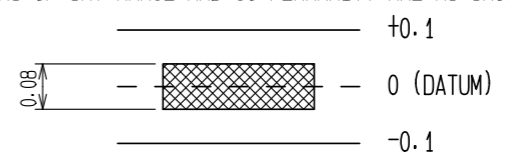
3 DRAWING FOR PACKING(FREE)



PICK & PLACE CAP(2:1)



NOTES. 1 DIMENSIONS OF SMT RANGE AND CO-PLANARITY ARE AS SHOWN BEROW.



- 2 LOT No. SHALL BE INDICATED AT THE POSITION AS SHOWN.
- 3 PER REEL: 200 pcs.
- 4. THE SHADED AREAS SHOW LOCATIONS OF EJECTOR PINS.
- 5 PLATING  
 CONTACT AREA : GOLD 0.75μm MIN.  
 READ AREA : GOLD 0.03μm MIN.  
 UNDER PLATING: NICKEL 2μm MIN.

<b>HRS</b>	DRAWING NO.	EDC-126102-31-00
	PART NO.	ZX80-B-5S(31)
	CODE NO.	CL242-0017-1-31
		2/2