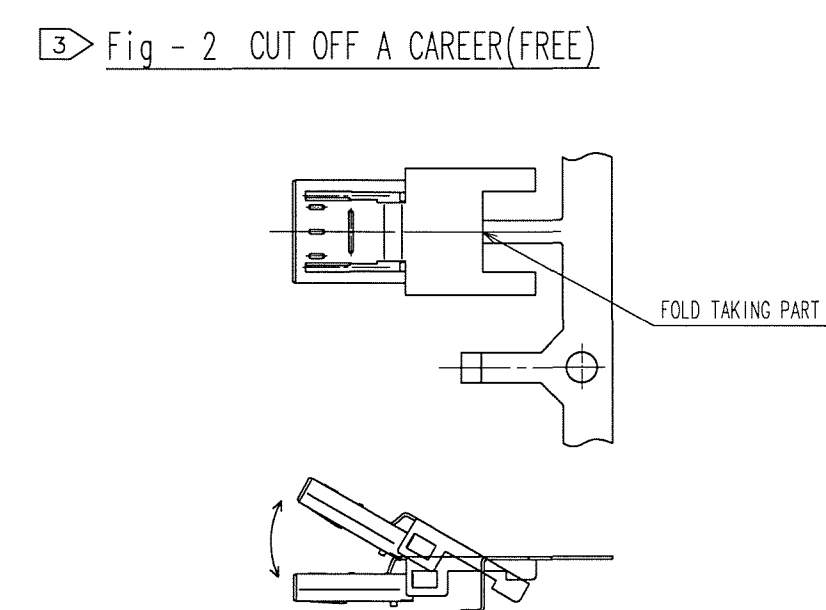
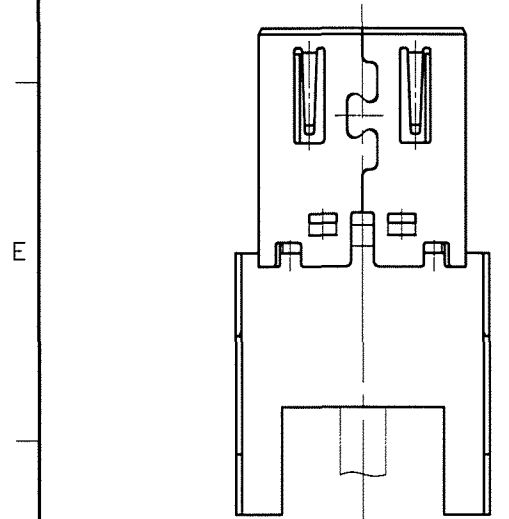
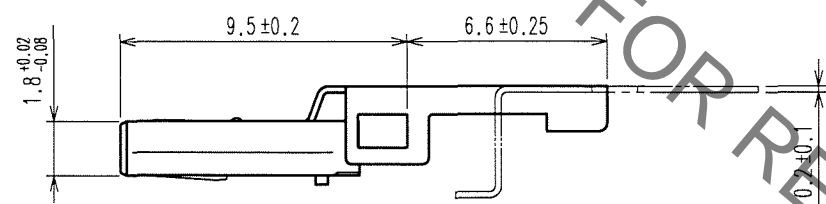
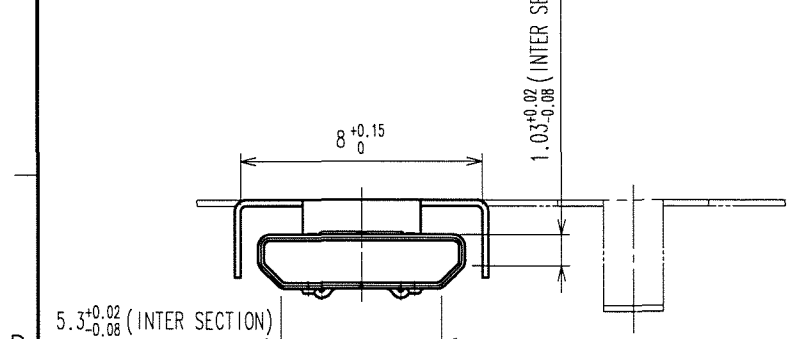
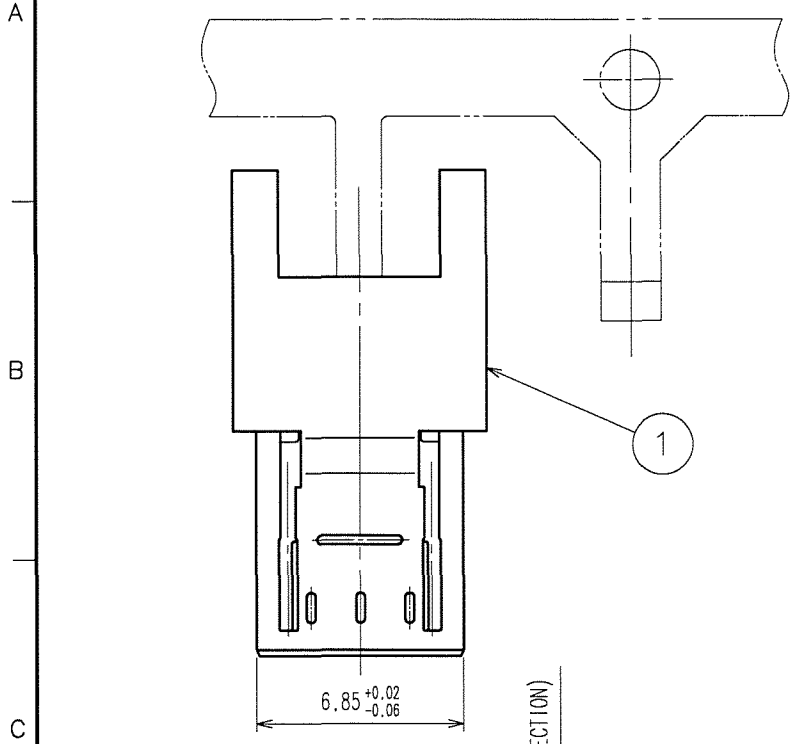


Jan.1.2021 Copyright 2021 HIROSE ELECTRIC CO., LTD. All Rights Reserved.
In case of consideration for using Automotive equipment / device which demand high reliability, kindly contact our sales window correspondents.

COUNT	DESCRIPTION OF REVISIONS	BY	CHKD	DATE	COUNT	DESCRIPTION OF REVISIONS	BY	CHKD	DATE
△					△				
△					△				
△					△				



HRS DRAWING FOR REFERENCE

NOTES
 1 THIS IS DELIVERED BY A REEL .QTY:4000PCS
 2 SHOWN ON A REEL AND A BOX IS ; " PART No. ", " CODE No. ", " LOT No. ", " QTY"
 3 CUT OFF CAREER AS SHOWN IN Fig-2.

TO

NO.	MATERIAL	FINISH, REMARKS	NO.	MATERIAL	FINISH, REMARKS
1	STAINLESS STEEL			NICKEL 0.1 μm MIN	

CODE NO. (OLD)	DRAWN	DESIGNED	CHECKED	APPROVED	RELEASED
	M. Shingara	M. Shingara	R. Koyama	<i>[Signature]</i>	
	07.2.1	07.2.1	07.02.02	07.02.05	

SCALE	DRAWING NO.	PART NO.
4 : 1	EDC3-126125	ZX64-B-SLDC
UNITS	HIROSE ELECTRIC CO., LTD	CODE NO.
mm		CL242-0018-4