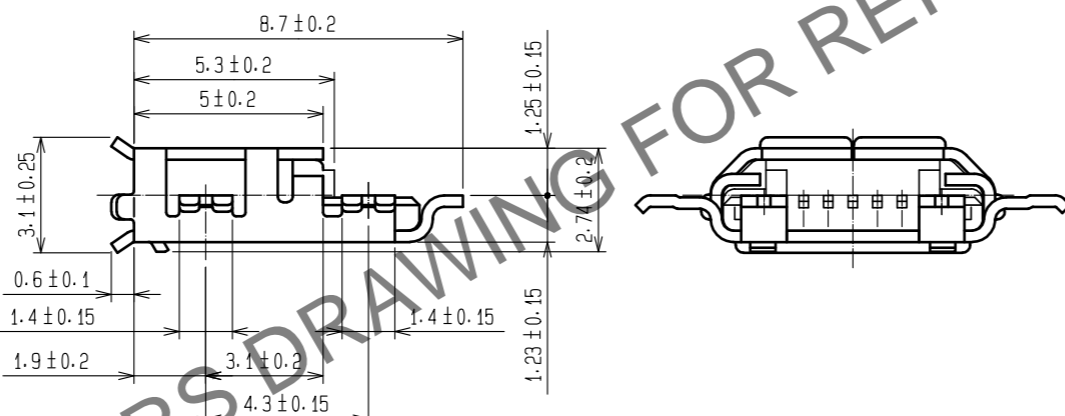
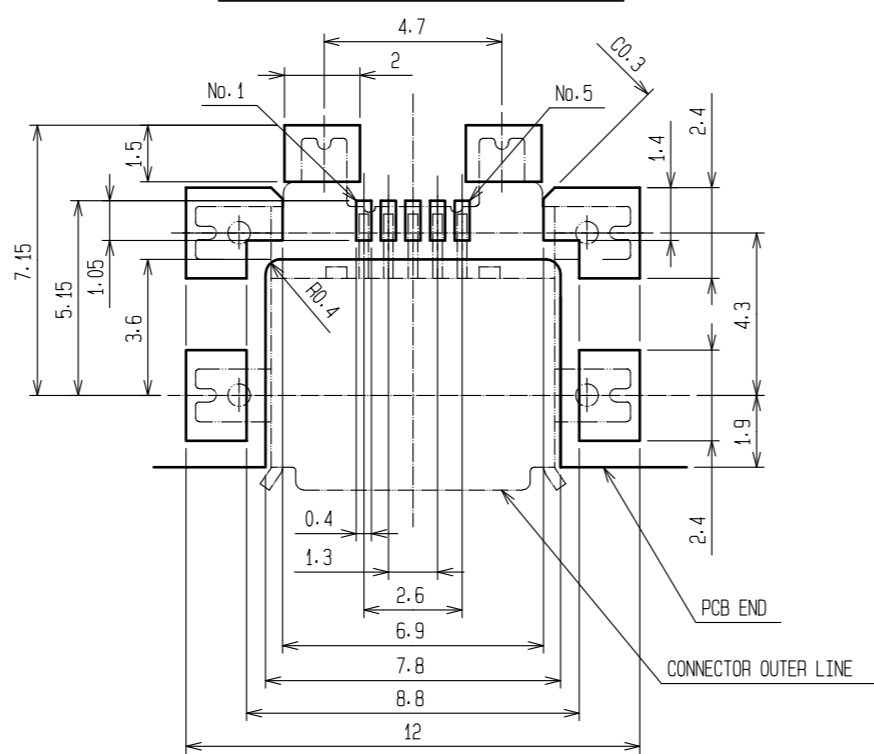
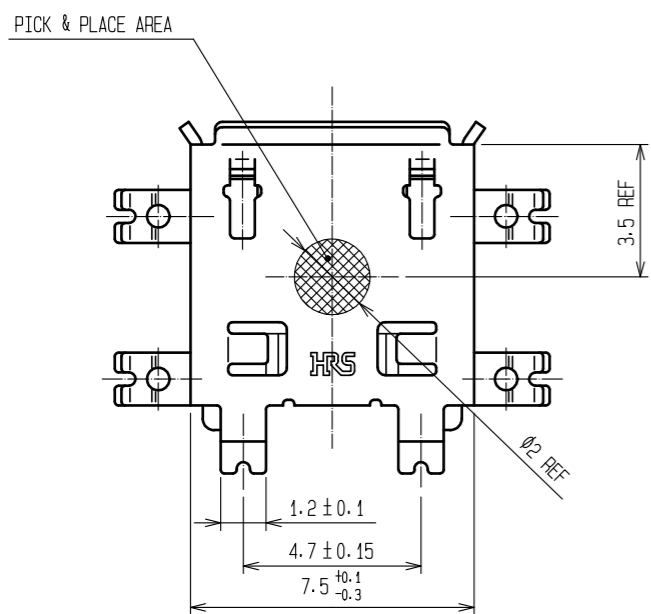
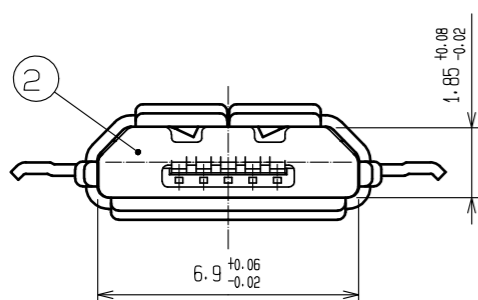
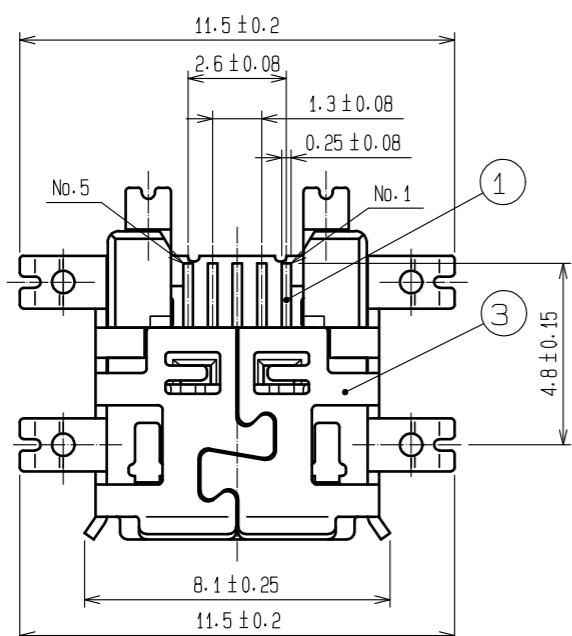
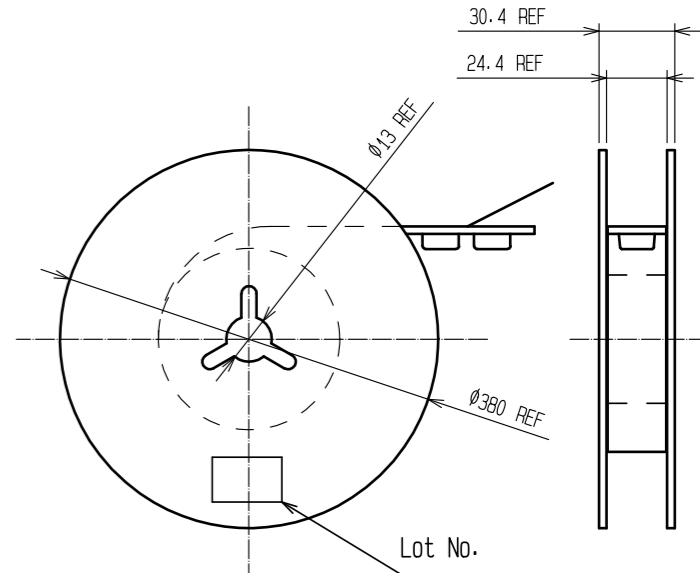
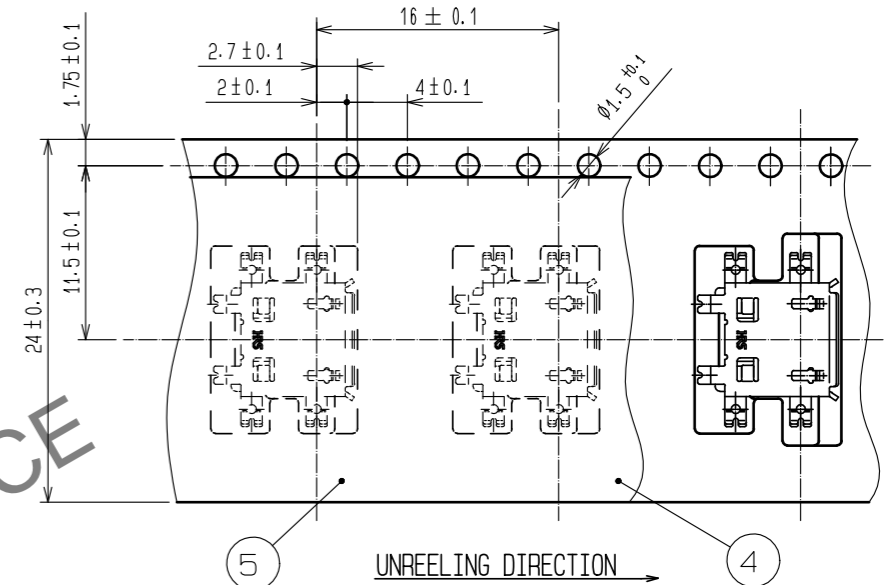


Jan.1.2025 Copyright 2025 HIROSE ELECTRIC CO., LTD. All Rights Reserved.
In case of consideration for using Automotive equipment / device which demand high reliability, kindly contact our sales window correspondents.

RECOMMENDED PATTERN



4 DRAWING FOR PACKING(FREE)



- NOTES 1 INTERFACE DIMENSIONS CONFORMS TO MICRO-B RECEPTACLE OF USB STANDARDS.
 2 CO-PLANARITY TO BE 0.08 MAX.
 3 PLATING
 CONTACT AREA : GOLD 0.05µm MIN.
 OVER PALLADIUM NICKEL 0.75µm MIN.
 LEAD AREA : GOLD 0.05µm MIN.
 UNDER PLATING: NICKEL 2µm MIN.
 4 PER REEL: 1500 pcs
 5 AS FOR PART No.3, THE PERFORMANCE REMAINS GOOD EVEN IF THERE IS A RUBBING WOUND BY THE ASSEMBLY PROCESS, AND THE PERFORMANCE REMAINS GOOD EVEN IF THERE IS A DIFFERENCE OF THE COLOR OF PLATING WITH THE MANUFACTURING LOT.

2	LCP	COLOR BLACK UL94V-0	5	PE	
1	COPPER ALLOY	3	4	PS	
			3	STAINLESS STEEL	TIN PLATING 3.8µm min. LUBRICANT
NO.	MATERIAL	FINISH . REMARKS	NO.	MATERIAL	FINISH . REMARKS
UNITS mm		SCALE 5 : 1	COUNT 	DESCRIPTION OF REVISIONS	DESIGNED
					CHECKED
					DATE
HRS HIROSE ELECTRIC CO., LTD.		APPROVED : NM. NISHIMATSU	15.10.27	DRAWING NO. EDC-126186-30-00	
		CHECKED : KN. ICHIKAWA	15.10.27	PART NO. ZX62M-B-5P(30)	
		DESIGNED : TS. ITO	15.10.27	CODE NO. CL242-0024-7-30	
		DRAWN : AK. AKIYAMA	15.10.27	1/1	