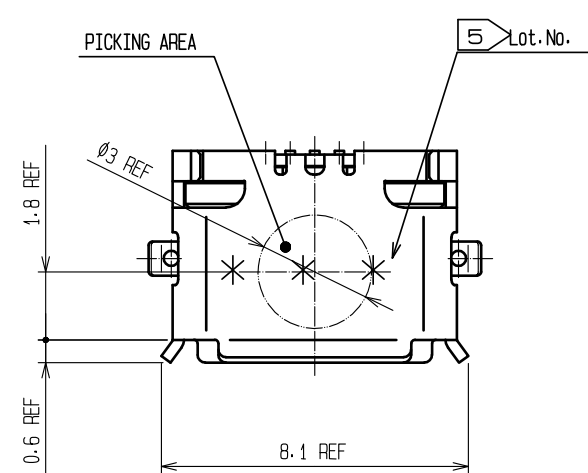
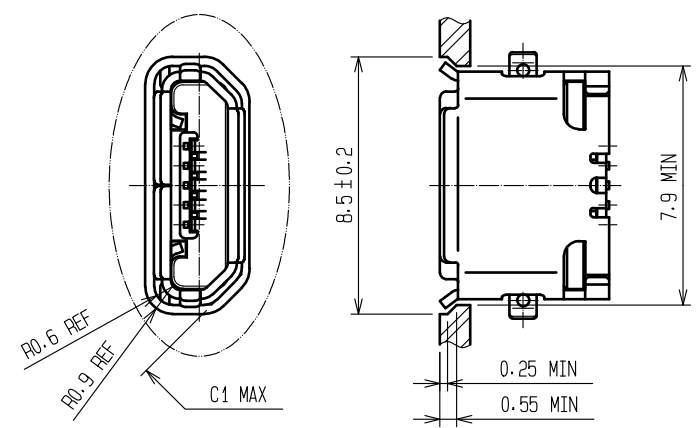


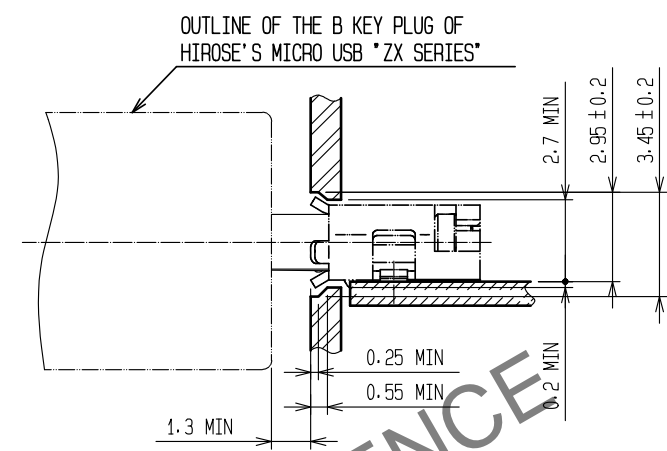
Jan.1.2025 Copyright 2025 HIROSE ELECTRIC CO., LTD. All Rights Reserved.
 In case of consideration for using Automotive equipment / device which demand high reliability, kindly contact our sales window correspondents.



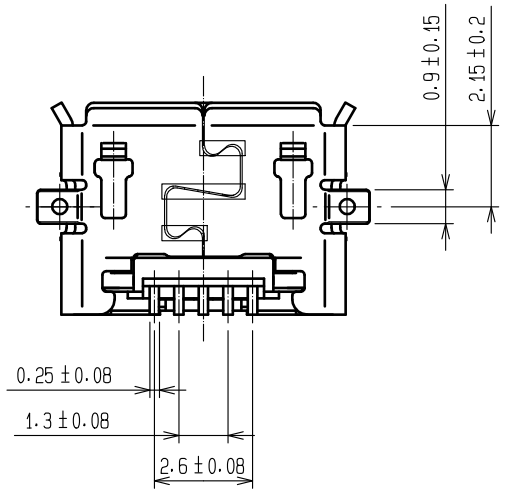
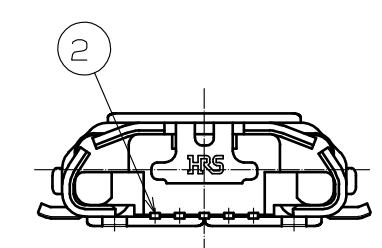
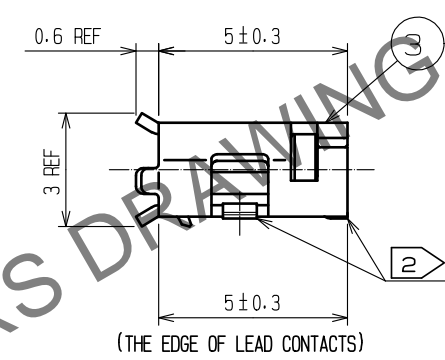
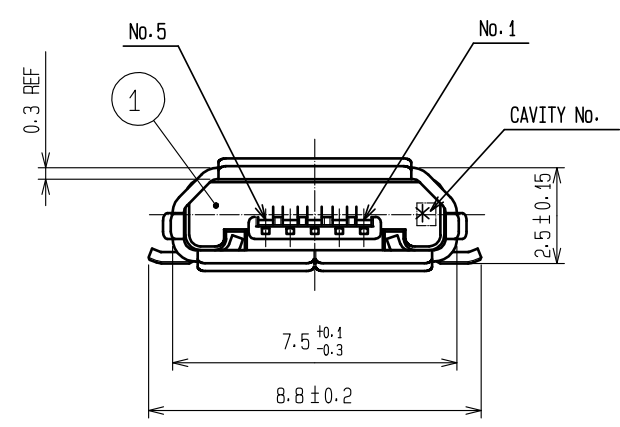
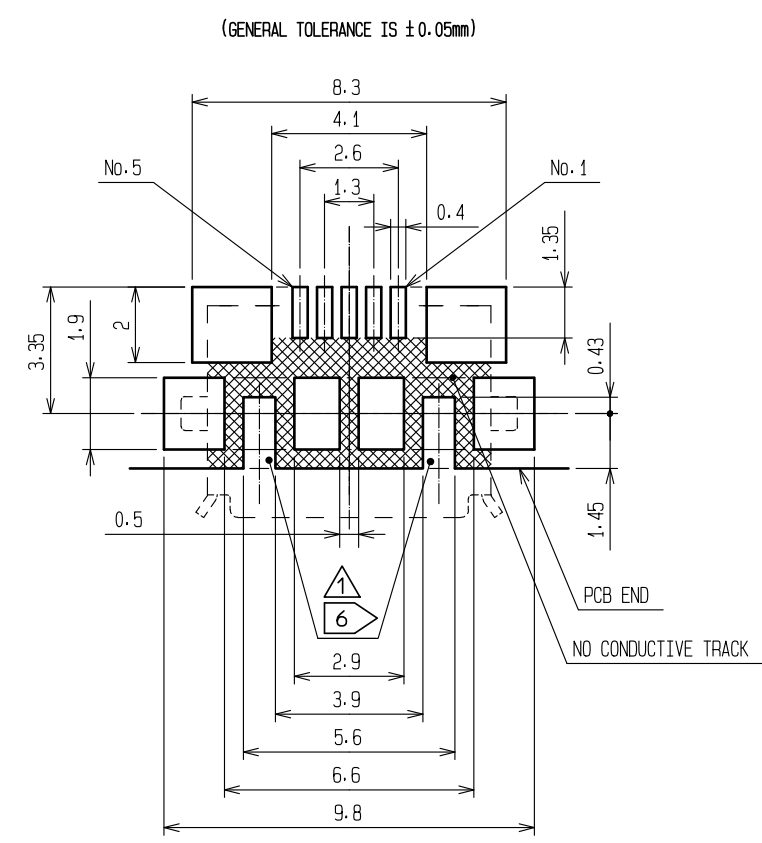
RECOMMENDED PANEL CUTOUT (4:1)



MATED WITH CORRESPONDING PLUG (4:1)



PCB LAYOUT

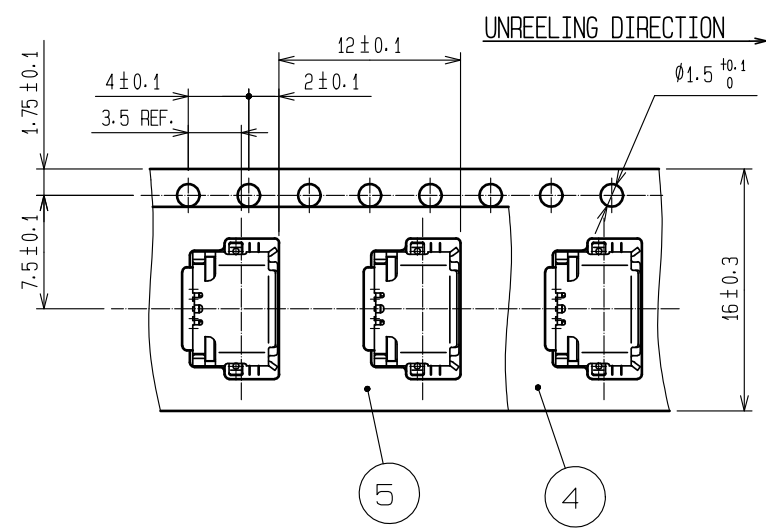


- NOTES
- 1 INTERFACE DIMENSIONS CONFORM TO USB2.0 SPECIFICATION.
 - 2 CO-PLANARITY IS WITHIN 0.08 mm.
 - 3 PLATING
 CONTACT AREA : GOLD 0.75 μm MIN.
 LEAD AREA : GOLD 0.05 μm MIN.
 UNDER PLATING : NICKEL 2 μm MIN.
 - 4 PER REEL : 2000 PCS.
 - 5 CODE CONFIGURATION IS SHOWN IN FIG.1
 - 6 PCB CUTOUTS ARE NECESSARY TO PREVENT THE LOCK FROM HITTING THE PCB WHEN MATING PLUG.

2	COPPER ALLOY	3	5	PE					
1	LCP	BLACK · UL94V-0	4	PS					
			3	STAINLESS STEEL	TIN PLATING 1 μm MIN. LUBRICANT				
NO.	MATERIAL	FINISH . REMARKS	NO.	MATERIAL	FINISH . REMARKS				
UNITS	mm	SCALE	5 : 1	COUNT	2	DESCRIPTION OF REVISIONS	DESIGNED	CHECKED	DATE
						DIS-E-00011746	KIM JAEHYEON	KG. OKITA	20221122
APPROVED : NM. NISHIMATSU		20151027		DRAWING NO.		EDC-126271-30-00			
CHECKED : KN. ICHIKAWA		20151027		PART NO.		ZX62R-B-5P(30)			
DESIGNED : TS. ITO		20151027		CODE NO.		CL0242-0028-8-30			
DRAWN : AK. AKIYAMA		20151027							

Jan.1.2025 Copyright 2025 HIROSE ELECTRIC CO., LTD. All Rights Reserved.
 In case of consideration for using Automotive equipment / device which demand high reliability, kindly contact our sales window correspondents.

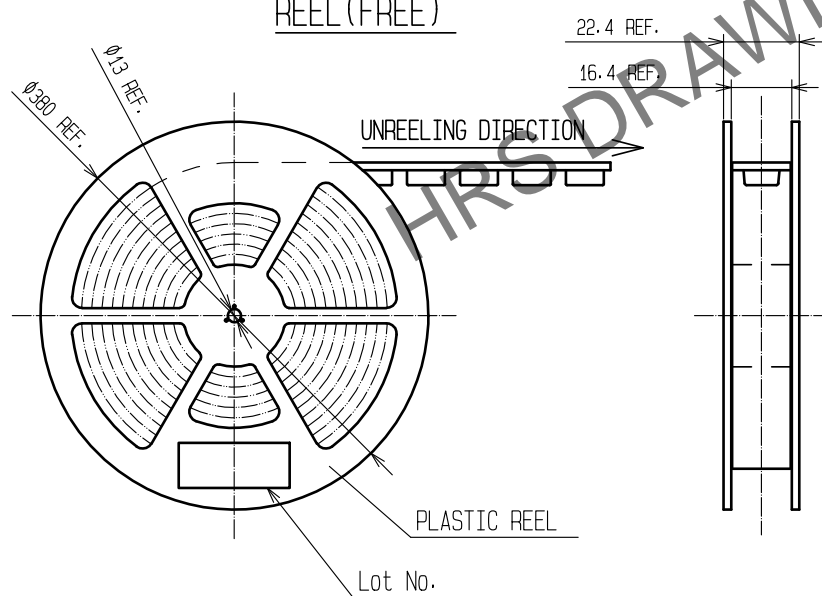
4 DRAWING FOR PACKING (2:1)



5 Fig.1 LOT CODE CONFIGURATION FOR 3 DIGITS

YEAR		MONTH		DAY					
YEAR	CODE	MONTH	CODE	DAY	CODE	DAY	CODE	DAY	CODE
2007	7	Jan.	A	1	1	11	B	21	M
2008	8	Feb.	B	2	2	12	C	22	N
2009	9	Mar.	C	3	3	13	D	23	P
2010	0	Apr.	D	4	4	14	E	24	Q
2011	1	May.	E	5	5	15	F	25	R
		Jun.	F	6	6	16	G	26	S
		Ju1.	G	7	7	17	H	27	T
		Aug.	H	8	8	18	J	28	U
		Sep.	I	9	9	19	K	29	V
		Oct.	J	10	A	20	L	30	W
		Nov.	K					31	X
		Dec.	L						

REEL (FREE)



HRS	DRAWING NO.	EDC-126271-30-00
	PART NO.	ZX62R-B-5P(30)
	CODE NO.	CL0242-0028-8-30

2/2