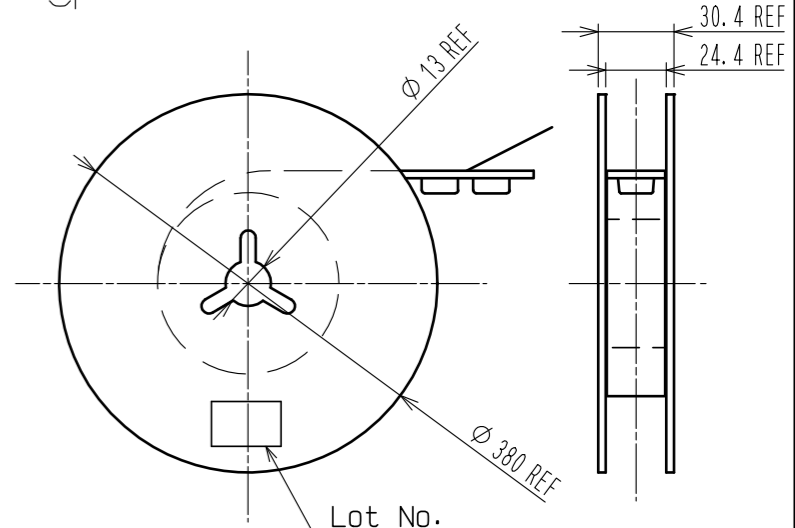
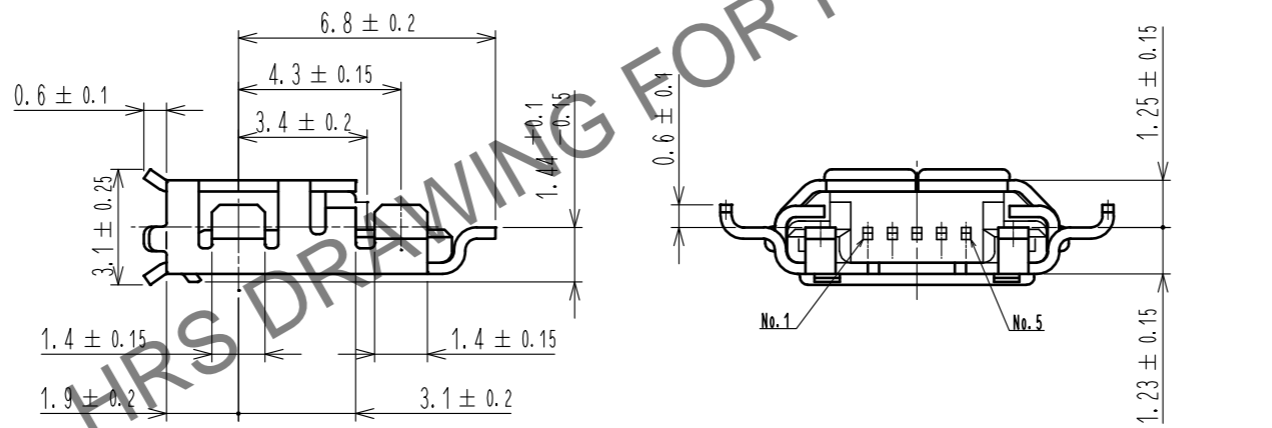
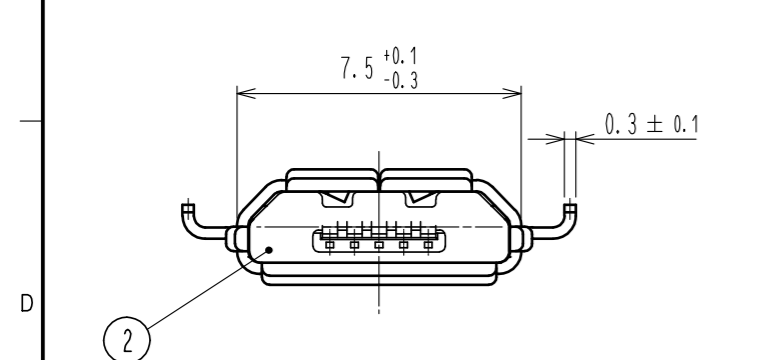
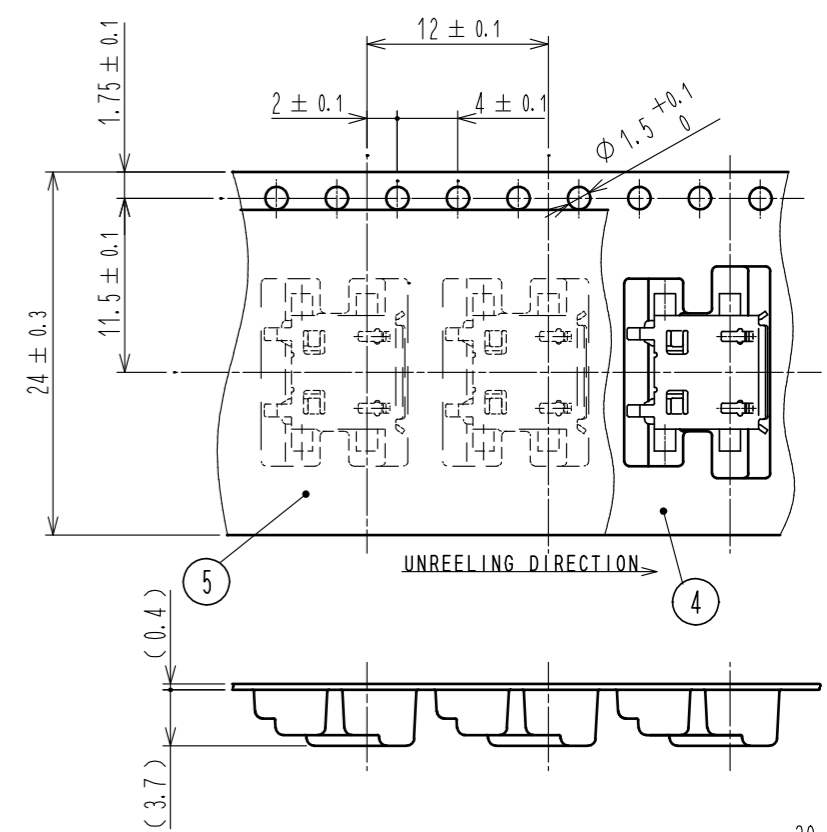
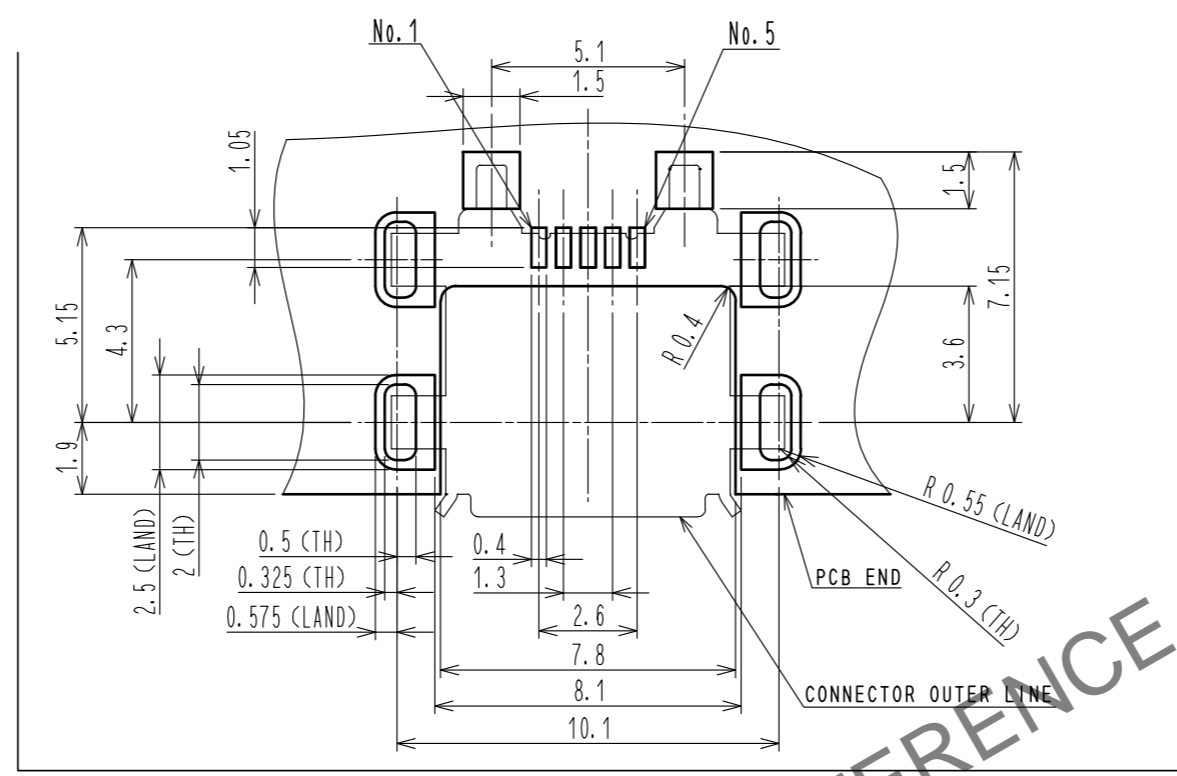
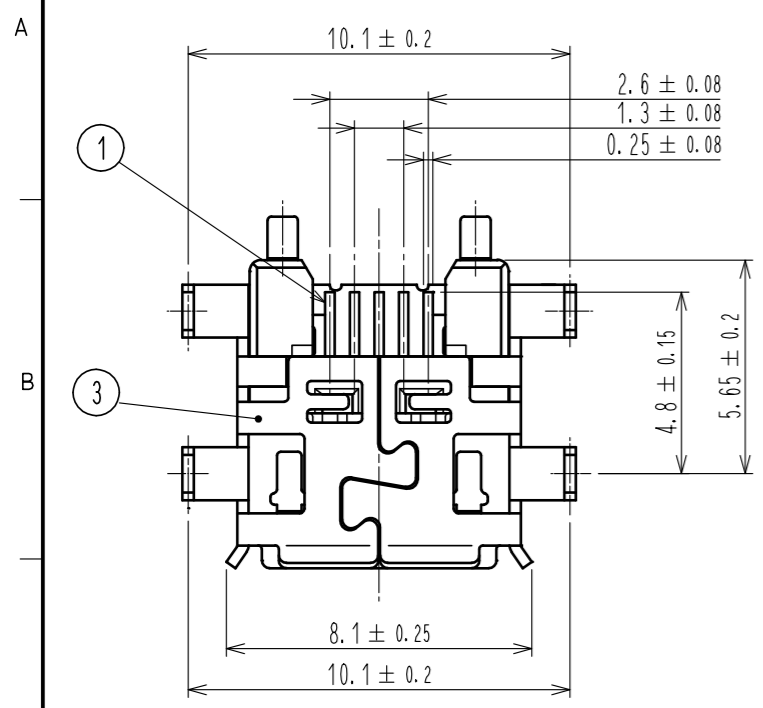


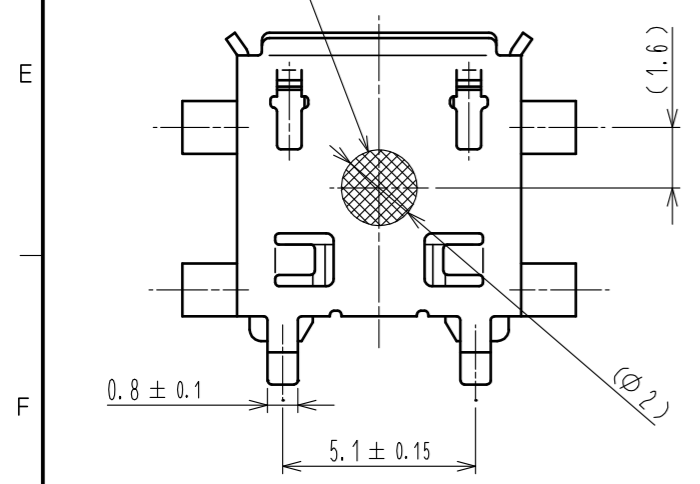
Apr.1.2025 Copyright 2025 HIROSE ELECTRIC CO., LTD. All Rights Reserved.  
In case of consideration for using Automotive equipment / device which demand high reliability, kindly contact our sales window correspondents.

RECOMMENDED PATTERN

4 DRAWING FOR PACKING (FREE)



PICK AND PLACE AREA



- 1 INTERFACE DIMENSIONS CONFORMS TO USB2.0 SPECIFICATION.
- 2 CO-PLANARITY TO BE 0.08MAX.
- 3 PLATING  
CONATACT AREA:GOLD 0.05µm MIN OVER PALLADIUM NICKEL 0.75µm MIN.  
LEAD AREA :GOLD 0.05µm MIN.  
UNDER PLATING:NICKEL 2µm MIN.
- 4 PER REEL:2000pcs.
- 5 AS FOR PART No. 3. THE PERFORMANCE REMAINS GOOD EVEN IF THERE IS A RUBBING WOUND BY THE ASSEMBLY PROCESS.
- 6 AS FOR PART No. 2. A PART OF SHAPE MAY BECOME DIFFERENT DEPENDING ON THE PRODUCTION METHOD.

2	LCP	COLOR BLACK UL94V-0	5	PE	
1	COPPER ALLOY	3	4	PS	
			3	STAINLESS STEEL	TIN PLATING 1µm min. LUBRICANT
NO.	MATERIAL	FINISH . REMARKS	NO.	MATERIAL	FINISH . REMARKS
UNITS mm	⊕	SCALE 5 : 1	COUNT	DESCRIPTION OF REVISIONS	DESIGNED
					CHECKED
					DATE
APPROVED : NM. NISHIMATSU		15.10.27	DRAWING NO. EDC-126514-31-00		
CHECKED : KN. ICHIKAWA		15.10.27	PART NO. ZX62MD1-B-5P(31)		
DESIGNED : TS. ITO		15.10.27	CODE NO. CL242-0041-6-31		
DRAWN : AK. AKIYAMA		15.10.27			