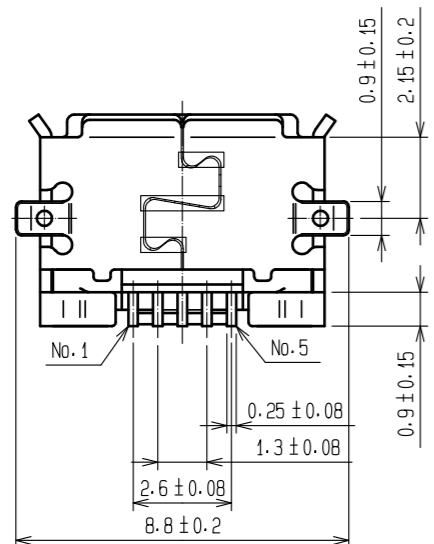
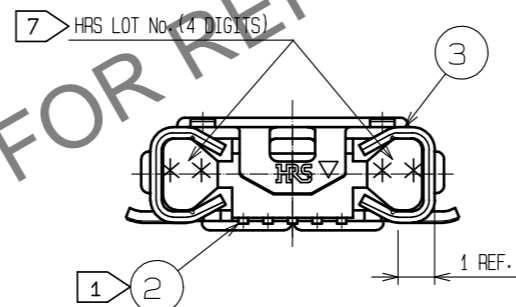
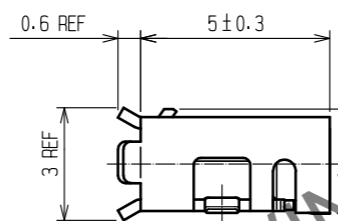
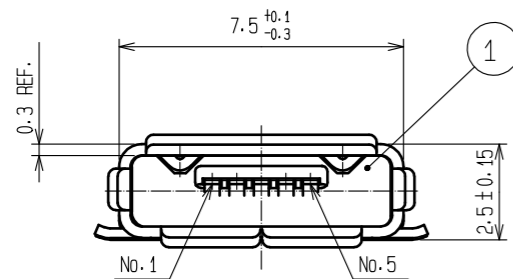
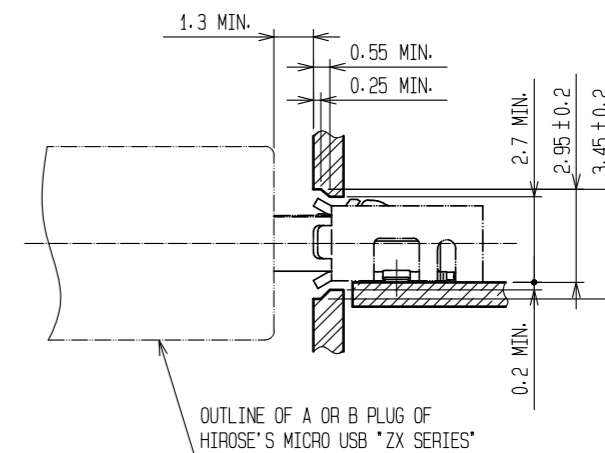
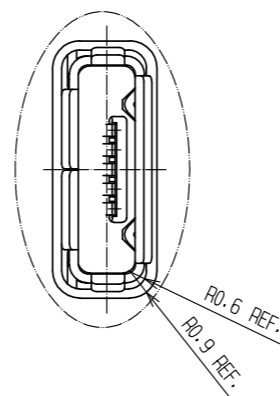
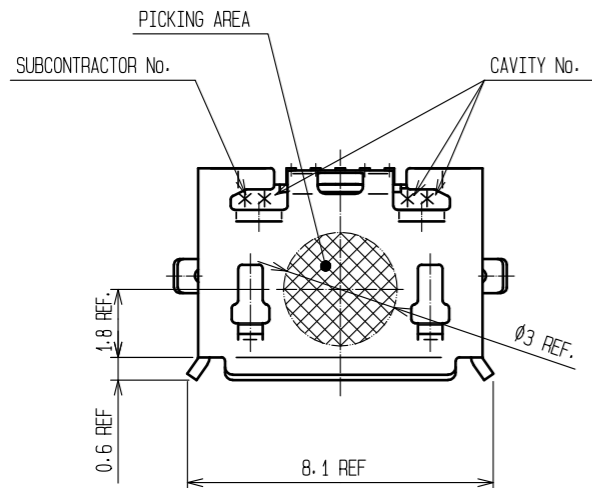


Dec.1.2024 Copyright 2024 HIROSE ELECTRIC CO., LTD. All Rights Reserved.
In case of consideration for using Automotive equipment / device which demand high reliability, kindly contact our sales window correspondents.

RECOMMENDED PANEL CUTOUT (4:1)

MATED WITH CORRESPONDING PLUG (4:1)



NOTES 1 CO-PLANARITY IS WITHIN 0.08 mm.

2 PLATING
CONTACT AREA : GOLD 0.75µm min.
LEAD AREA : GOLD 0.05µm min.
UNDER PLATING: NICKEL 2µm min.

3 PER REEL : 3500 pcs.

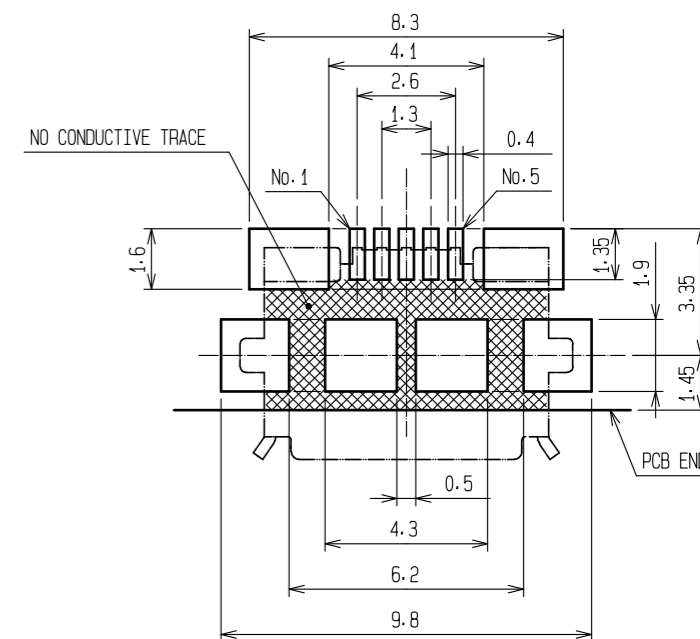
4. INTERFACE DIMENSIONS CONFORM TO USB2.0 SPECIFICATION.

5. AS FOR PART No.3, THE PERFORMANCE REMAINS GOOD EVEN IF THERE ARE RUBBING WOUNDS BY THE ASSEMBLY PROCESS. AND, THE PERFORMANCE REMAINS GOOD THOUGH THERE MIGHT BE A DIFFERENCE IN THE PLATING LUSTER BETWEEN EACH PLATING SUBCONTRACT COMPANIES.

6. AS FOR PART No.1 A PART OF SHAPE MAY BECOME DIFFERENT DEPENDING ON THE PRODUCTION METHOD.

7 CODE CONFIGURATION IS SHOWN IN FIG.1.

PCB LAYOUT

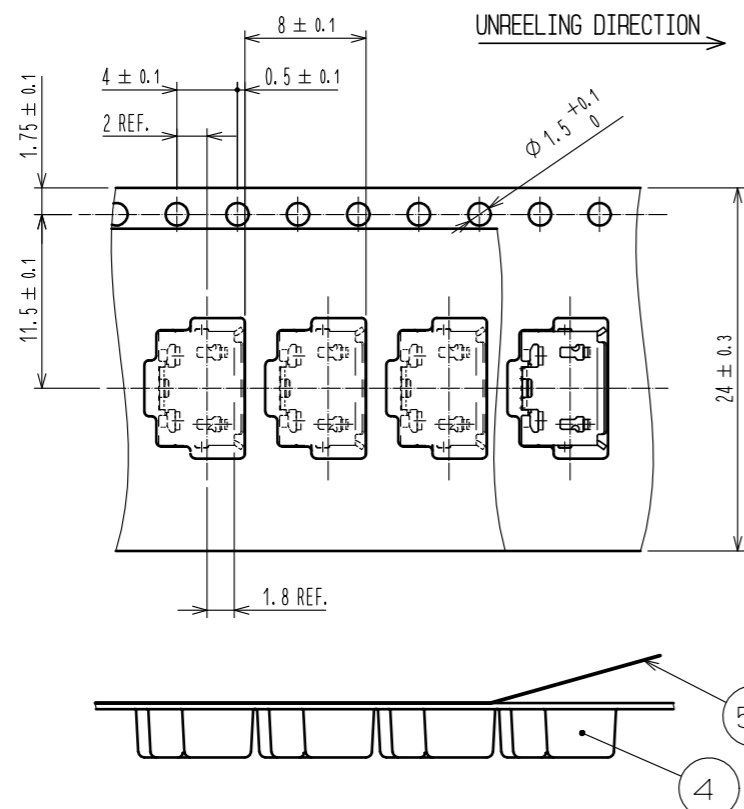


GENERAL TOLERANCE IS ±0.05 mm.

2	COPPER ALLLOY	2	5	PE			
1	LCP	GRAY, UL94V-0	4	PS			
			3	STAINLESS STEEL	OVER PLATING:TIN 1µm min. LUBRICANT		
NO.	MATERIAL	FINISH, REMARKS	NO.	MATERIAL	FINISH, REMARKS		
UNITS mm		SCALE 5:1	COUNT 	DESCRIPTION OF REVISIONS	DESIGNED	CHECKED	DATE
HRS HIROSE ELECTRIC CO., LTD.		APPROVED : NM. NISHIMATSU	15.10.27	DRAWING NO. EDC-126557-31-00			
		CHECKED : KN. ICHIKAWA	15.10.27	PART NO. ZX62-AB-5PA(31)			
		DESIGNED : TS. ITO	15.10.27	CODE NO. CL242-0045-7-31			
		DRAWN : AK. AKIYAMA	15.10.27				

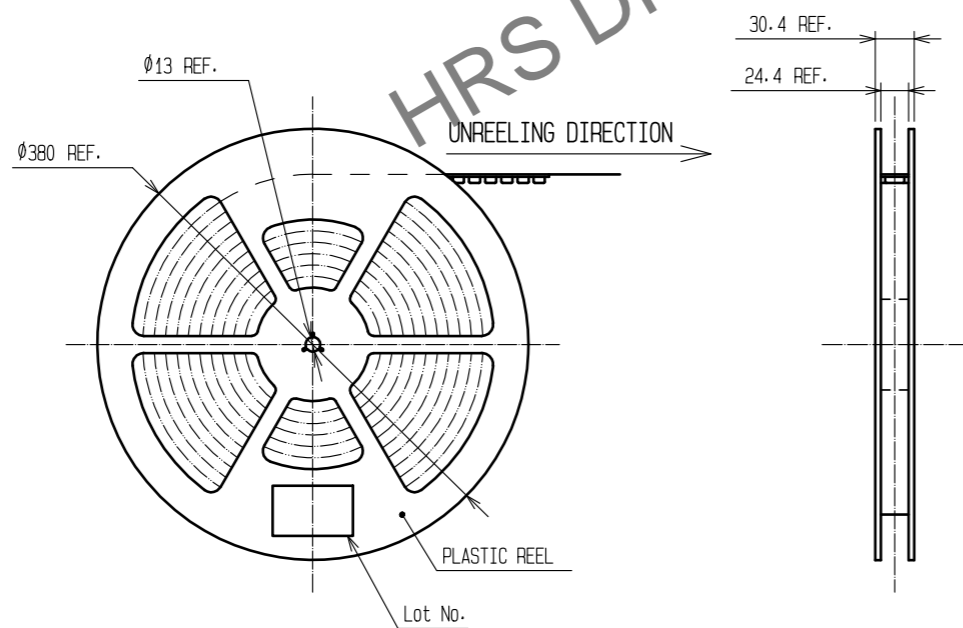
Dec.1.2024 Copyright 2024 HIROSE ELECTRIC CO., LTD. All Rights Reserved.
 In case of consideration for using Automotive equipment / device which demand high reliability, kindly contact our sales window correspondents.

3 DRAWING FOR PACKING (FREE)



7 FIG-1 LOT CODE CONFIGURATIONS FOR 4 DIGITS

YEAR		MONTH		DAY						LINE No.	
YEAR	CODE	MONTH	CODE	DAY	CODE	DAY	CODE	DAY	CODE	LINE No.	CODE
2007	7	Jan.	A	1	1	11	B	21	M	1	A
2008	8	Feb.	B	2	2	12	C	22	N	2	B
2009	9	Mar.	C	3	3	13	D	23	P	3	C
2010	0	Apr.	D	4	4	14	E	24	Q	4	D
2011	1	May.	E	5	5	15	F	25	R	5	E
		Jun.	F	6	6	16	G	26	S	6	F
		Jul.	G	7	7	17	H	27	T	7	G
		Aug.	H	8	8	18	J	28	U	8	H
		Sep.	I	9	9	19	K	29	V	9	I
		Oct.	J	10	A	20	L	30	W	10	J
		Nov.	K					31	X	11	K
		Dec.	L								



HRS DRAWING FOR REFERENCE

HRS	DRAWING NO.	EDC-126557-31-00
	PART NO.	ZX62-AB-5PA(31)
	CODE NO.	CL242-0045-7-31

2/2