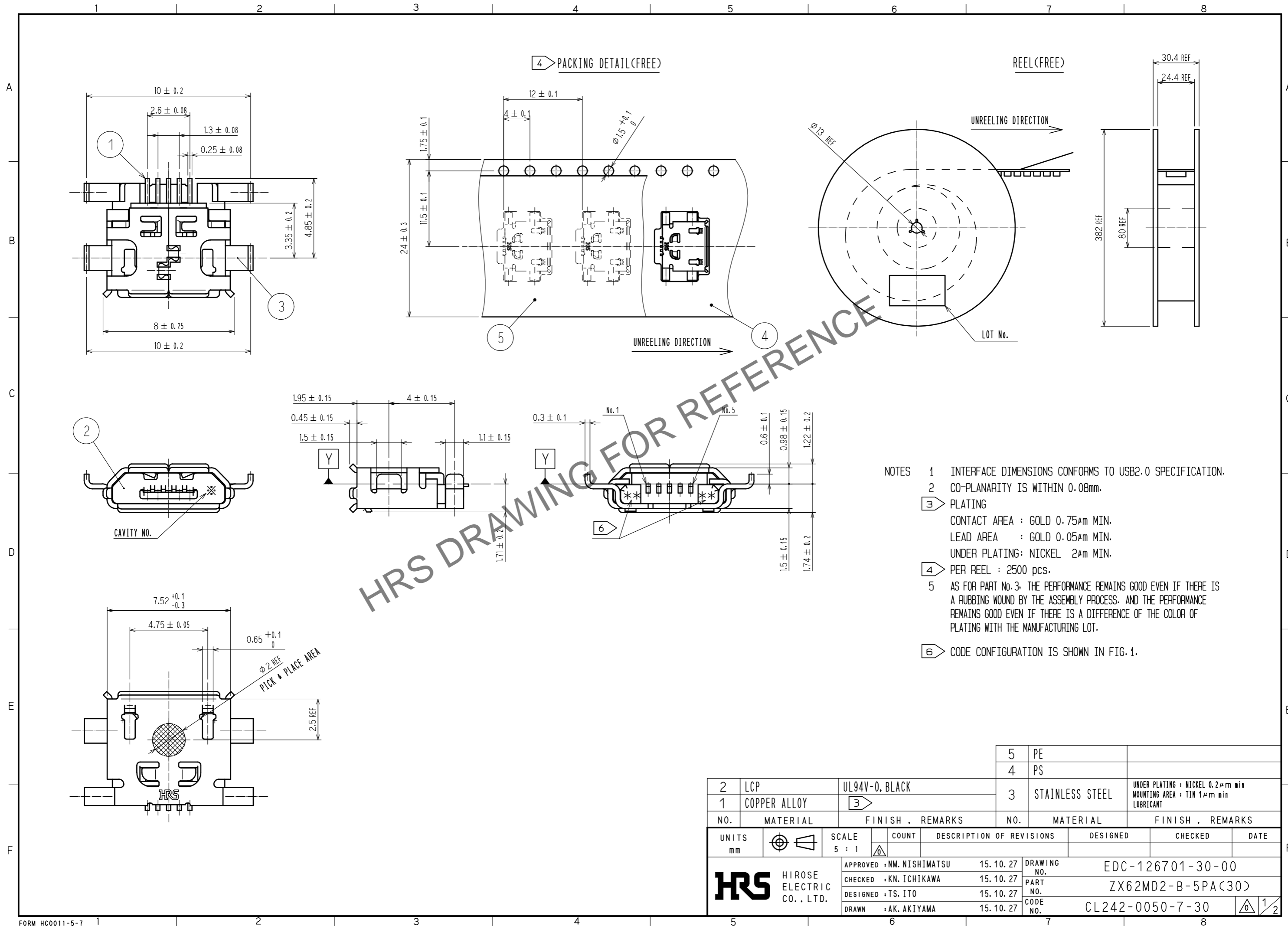


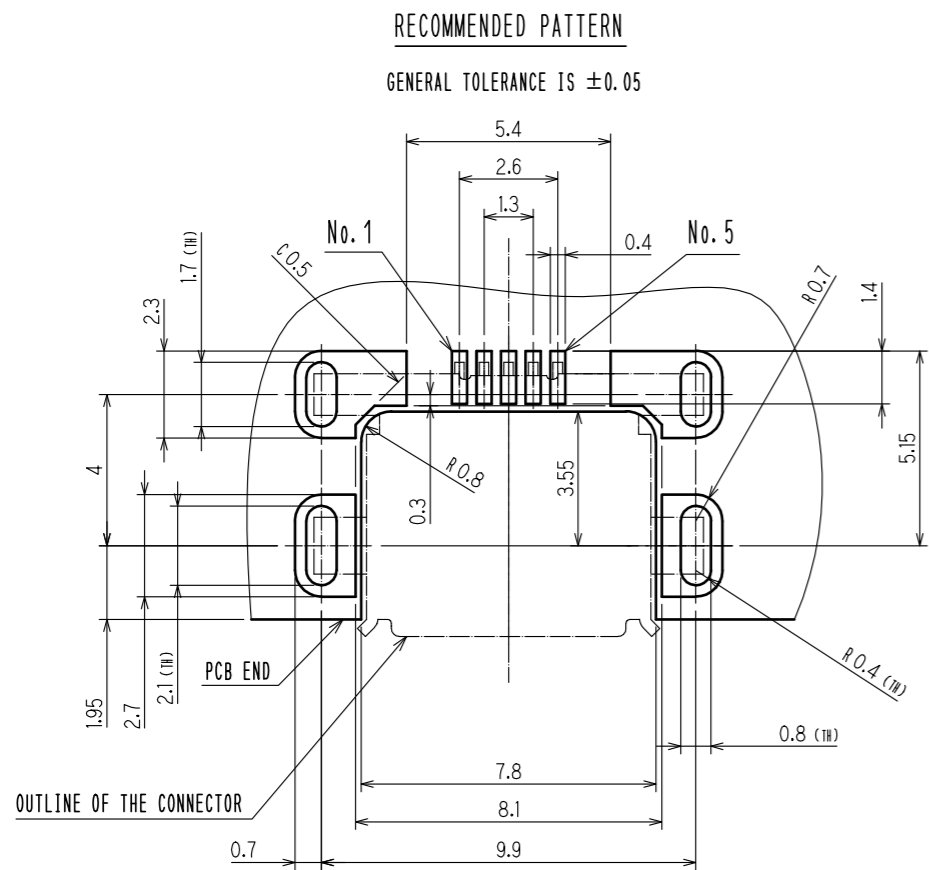
Jan.1.2025 Copyright 2025 HIROSE ELECTRIC CO., LTD. All Rights Reserved.
 In case of consideration for using Automotive equipment / device which demand high reliability, kindly contact our sales window correspondents.



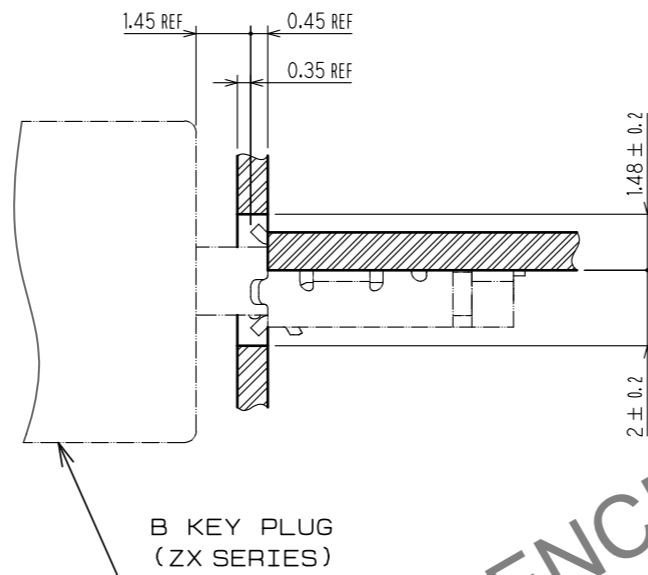
- NOTES
- 1 INTERFACE DIMENSIONS CONFORMS TO USB2.0 SPECIFICATION.
 - 2 CO-PLANARITY IS WITHIN 0.08mm.
 - 3 PLATING
 CONTACT AREA : GOLD 0.75μm MIN.
 LEAD AREA : GOLD 0.05μm MIN.
 UNDER PLATING: NICKEL 2μm MIN.
 - 4 PER REEL : 2500 pcs.
 - 5 AS FOR PART No.3: THE PERFORMANCE REMAINS GOOD EVEN IF THERE IS A RUBBING WOUND BY THE ASSEMBLY PROCESS. AND THE PERFORMANCE REMAINS GOOD EVEN IF THERE IS A DIFFERENCE OF THE COLOR OF PLATING WITH THE MANUFACTURING LOT.
 - 6 CODE CONFIGURATION IS SHOWN IN FIG.1.

2	LCP	UL94V-0, BLACK	5	PE				
1	COPPER ALLOY	3	4	PS				
			3	STAINLESS STEEL	UNDER PLATING : NICKEL 0.2μm min MOUNTING AREA : TIN 1μm min LUBRICANT			
NO.	MATERIAL	FINISH . REMARKS	NO.	MATERIAL	FINISH . REMARKS			
UNITS mm			SCALE 5 : 1	COUNT 	DESCRIPTION OF REVISIONS	DESIGNED	CHECKED	DATE
HRS HIROSE ELECTRIC CO., LTD.		APPROVED : NM. NISHIMATSU 15.10.27	DRAWING NO. EDC-126701-30-00					
		CHECKED : KN. ICHIKAWA 15.10.27	PART NO. ZX62MD2-B-5PA(30)					
		DESIGNED : TS. ITO 15.10.27	CODE NO. CL242-0050-7-30					
		DRAWN : AK. AKIYAMA 15.10.27						

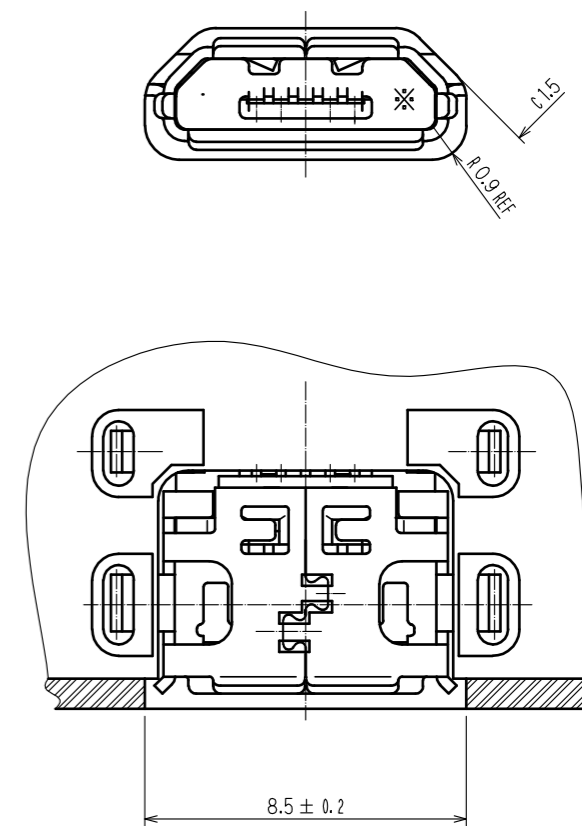
Jan.1.2025 Copyright 2025 HIROSE ELECTRIC CO., LTD. All Rights Reserved.
In case of consideration for using Automotive equipment / device which demand high reliability, kindly contact our sales window correspondents.



MATED WITH CORRESPONDING PLUG



RECOMMENDED PANEL CUTOUT



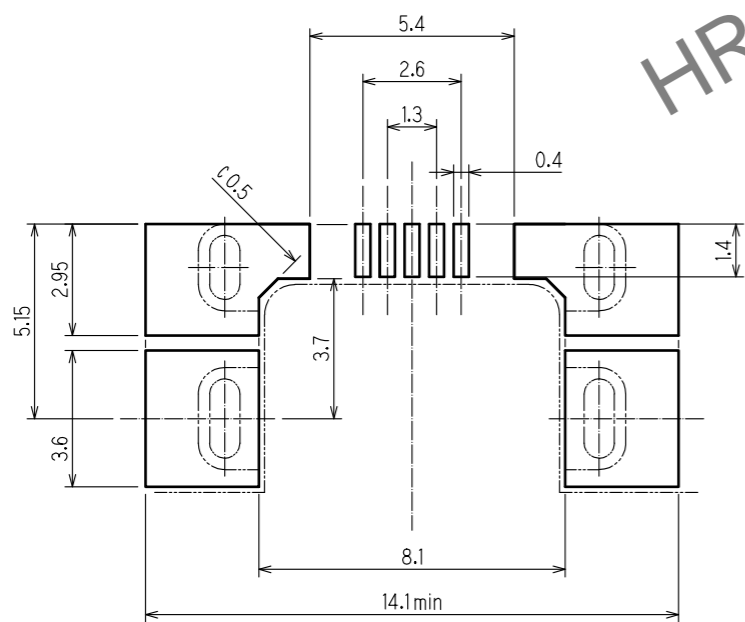
⑥ FIG-1 LOT CODE CONFIGURATION

EX. 8 C 6 A → 6TH MARCH 2008:LINE No. 1
① ② ③ ④

①		②		③				④			
YEAR	CODE	MONTH	CODE	DAY	CODE	DAY	CODE	DAY	CODE	LINE No.	CODE
2008	8	Jan.	A	1	1	11	B	21	M	1	A
2009	9	Feb.	B	2	2	12	C	22	N	2	B
2010	0	Mar.	C	3	3	13	D	23	P	3	C
.		Apr.	D	4	4	14	E	24	Q	4	D
.		May.	E	5	5	15	F	25	R	5	E
		Jun.	F	6	6	16	G	26	S	6	F
		Jul.	G	7	7	17	H	27	T	7	G
		Aug.	H	8	8	18	J	28	U	8	H
		Sep.	I	9	9	19	K	29	V	9	I
		Oct.	J	10	A	20	L	30	W	10	J
		Nov.	K					31	X	11	K
		Dec.	L								

RECOMMENDED MASK OPENING

RECOMMENDED MASK THICKNESS: $t=0.10\text{mm}$



HRS	DRAWING NO.	EDC-126701-30-00
	PART NO.	ZX62MD2-B-5PA(30)
	CODE NO.	CL242-0050-7-30
		△ 2/2