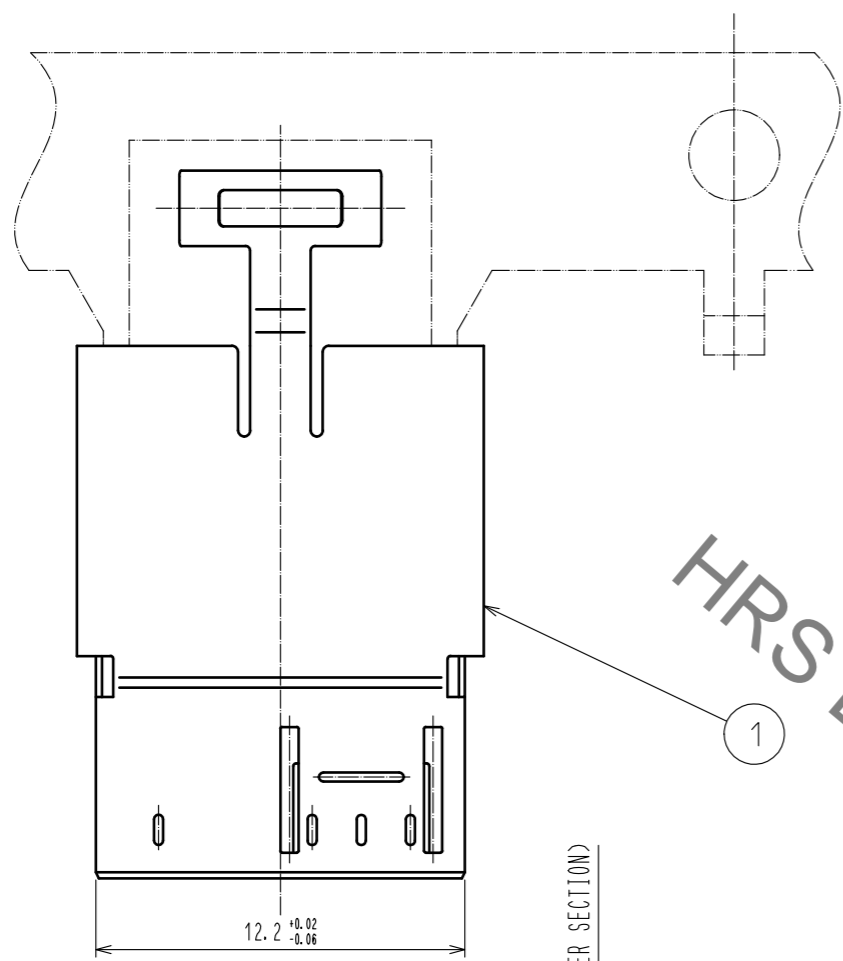
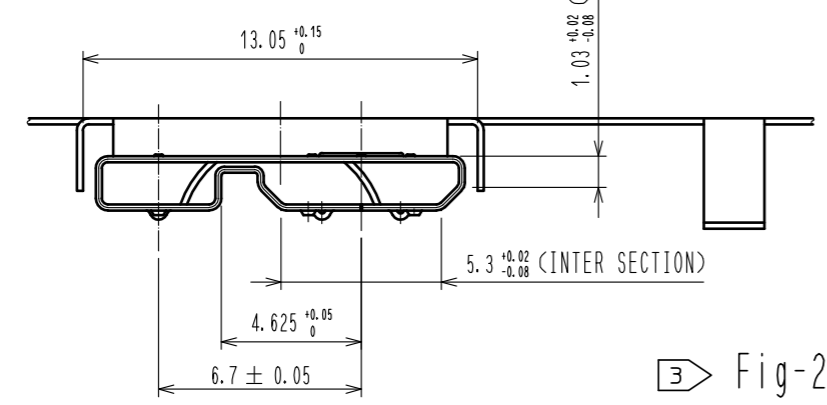
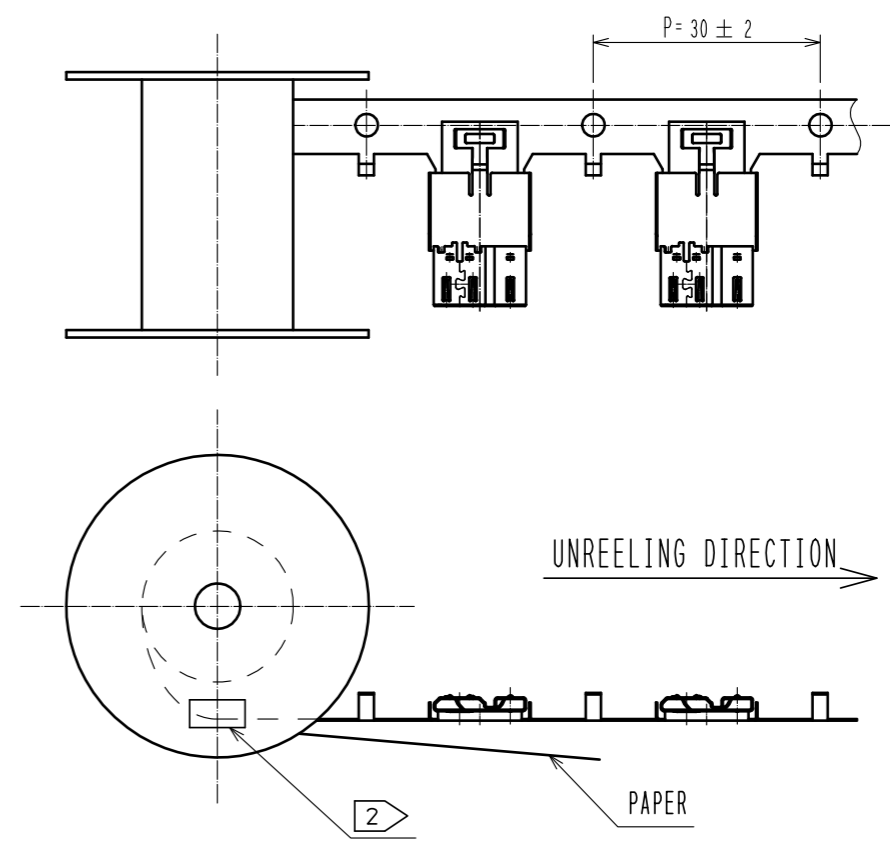


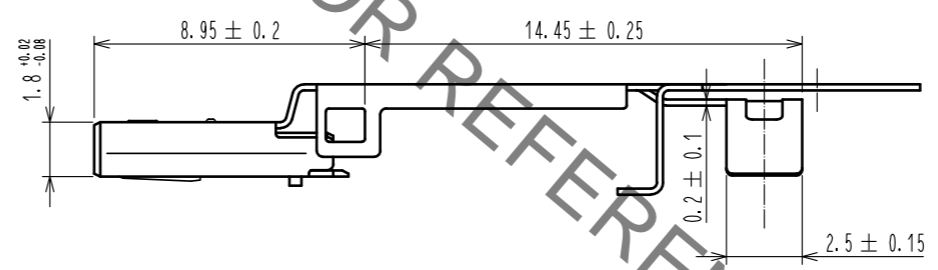
May.1.2021 Copyright 2021 HIROSE ELECTRIC CO., LTD. All Rights Reserved.
In case of consideration for using Automotive equipment / device which demand high reliability, kindly contact our sales window correspondents.



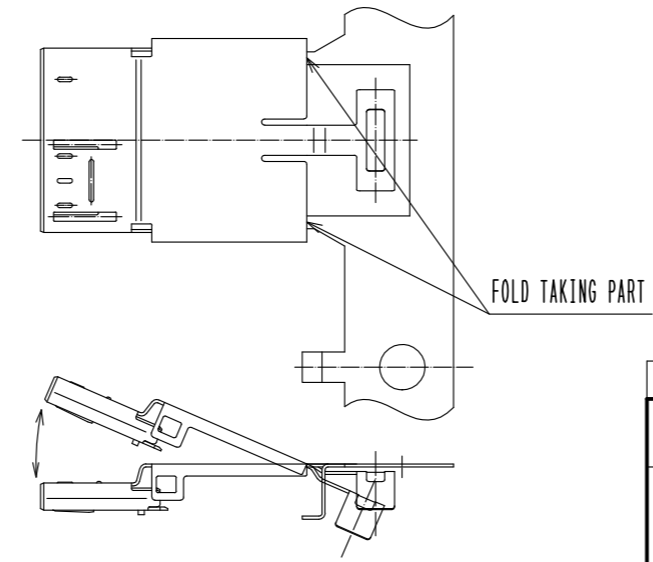
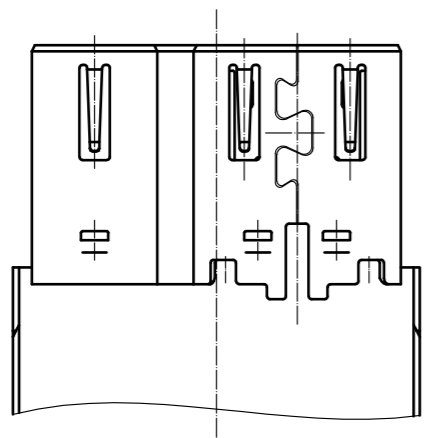
1 ▷ Fig-1 DRAWING FOR PACKING (FREE)



3 ▷ Fig-2 COMPONENT BREAK OFF FIGURE (FREE)



3
Halogen-Free
Lead Free Process
RoHS Compliant



- NOTE 1 ▷ THIS IS DELIVERED BY A REEL. QTY : 2700 PCS.
2 ▷ INDICATE 'Part No.', 'CL No.', 'Lot No.', AND QUANTITY ON BOTH REEL AND THE SIDE SURFACE OF THE SHIPPING OUTER BOX.
3 ▷ REMOVE THE COMPONENT FROM THE CARRIER FOR USE AS SHOWN IN Fig.2.

NO.	MATERIAL	FINISH . REMARKS	NO.	MATERIAL	FINISH . REMARKS
1	STAINLESS STEEL	NICKEL PLATING 0.1μm min			
UNITS mm		SCALE 4 : 1	COUNT 1	DESCRIPTION OF REVISIONS DIS-E-00001801	DESIGNED YS. SAKODA
					CHECKED AH. KODAMA
					DATE 20181004
HRS	HIROSE ELECTRIC CO., LTD.	APPROVED : A0. SUZUKI	20100807	DRAWING NO.	EDC-127030-00-00
		CHECKED : KN. ICHIKAWA	20100807	PART NO.	ZX360-B-SLDA
		DESIGNED : TY. MIURA	20100806	CODE NO.	CL242-0502-7-00
		DRAWN : TY. MIURA	20100806		