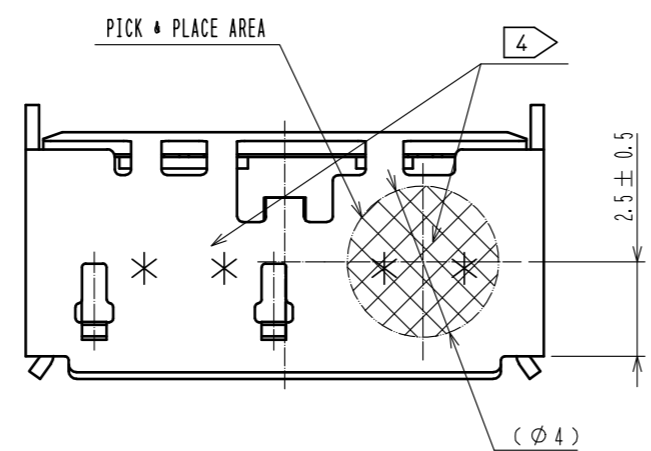
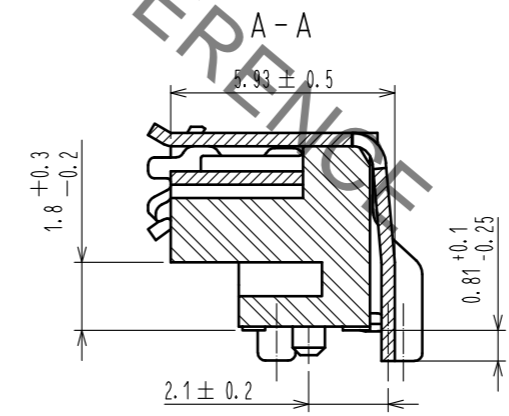
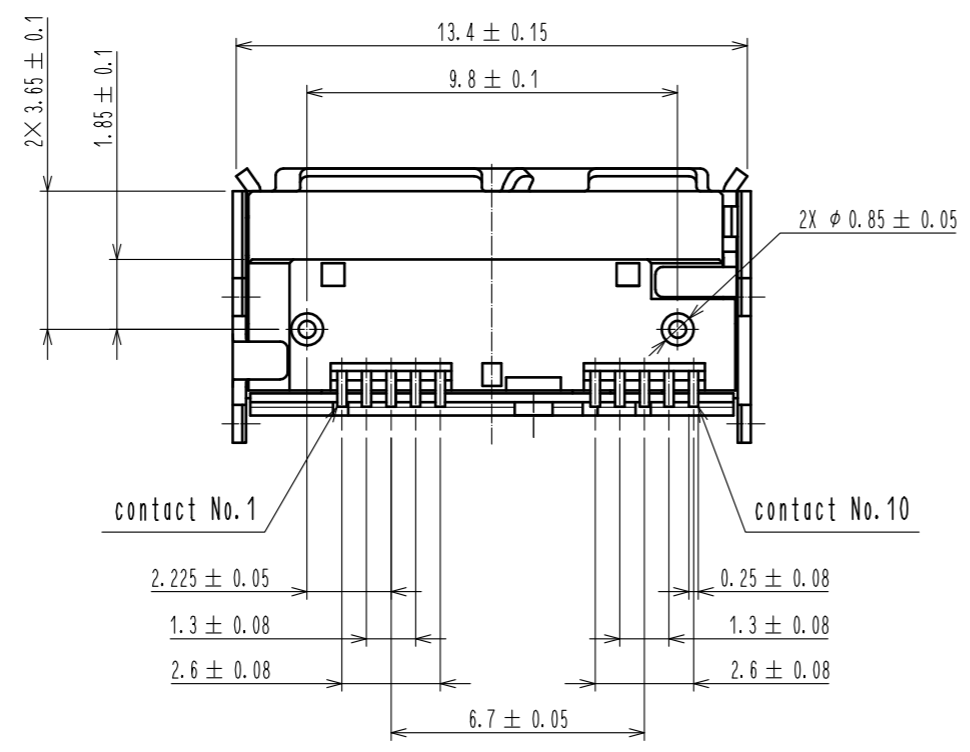
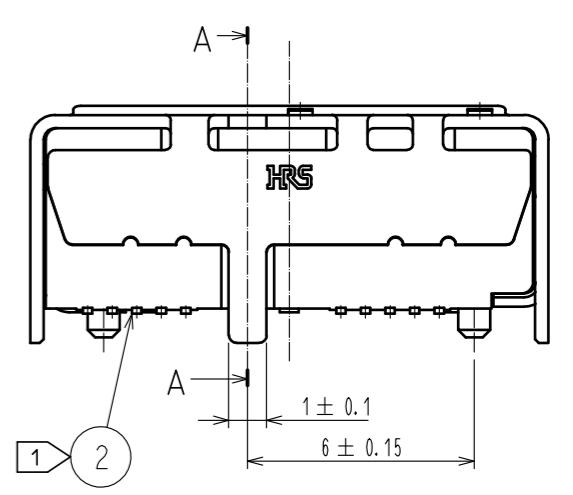
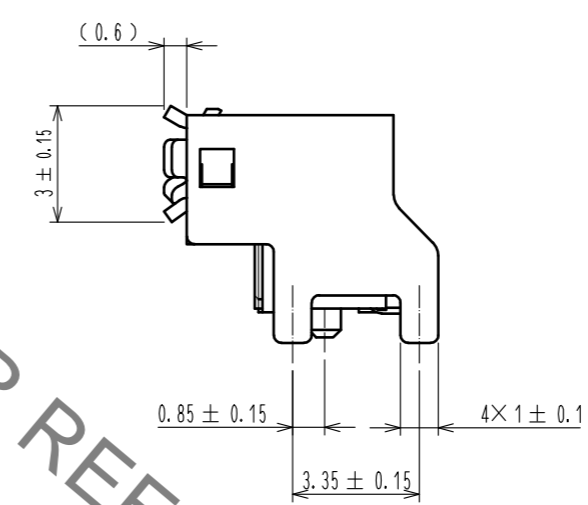
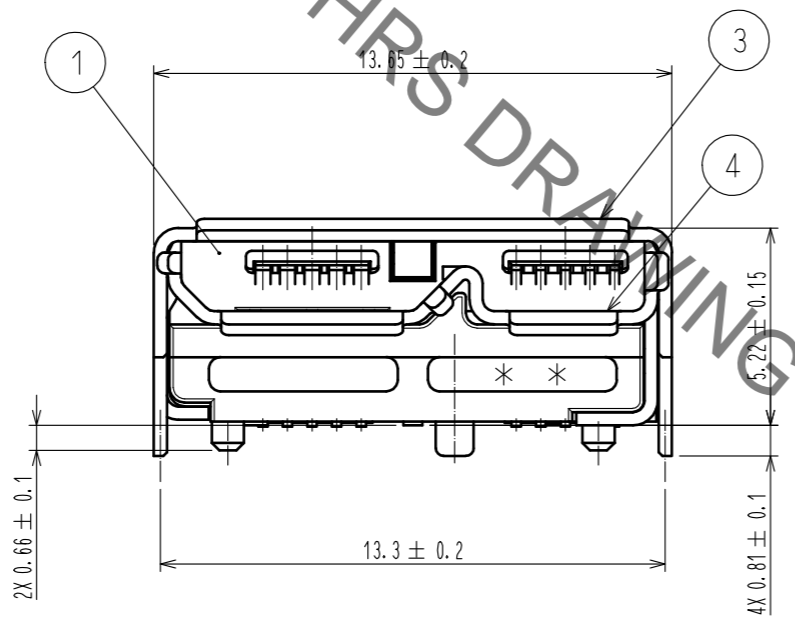
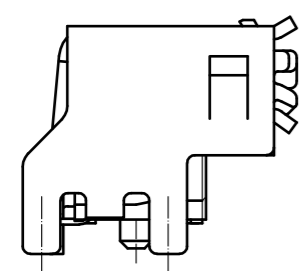


May.1.2021 Copyright 2021 HIROSE ELECTRIC CO., LTD. All Rights Reserved.
In case of consideration for using Automotive equipment / device which demand high reliability, kindly contact our sales window correspondents.



- NOTES :
- ① CO-PLANARITY OF ALL CONTACTS IS WITHIN 0.08 MAX.
 - ② PLATING
CONTACT AREA : (MIN) 0.05 μm GOLD OVER (MIN) 0.75 μm PALLADIUM NICKEL.
TAIL AREA : (MIN) 0.05 μm GOLD.
UNDER PLATE : (MIN) 1.27 μm NICKEL.
 - 3. INTERFACE DIMENSIONS CONFORM TO USB3.0 SPECIFICATION.
 - ④ CODE CONFIGURATION IS SHOWN IN Fig.1.
 - 5 . SCRATCH MARK COULD BE MADE ON THE SURFACE OF REF NO.3 AND NO.4 DURING ASSEMBLY PROCESS, WHICH DOES NOT AFFECT THE PERFORMANCE.
LEVEL OF PLATING BRIGHTNESS COULD VARY, WHICH DOSE NOT AFFECT THE PERFORMANCE.

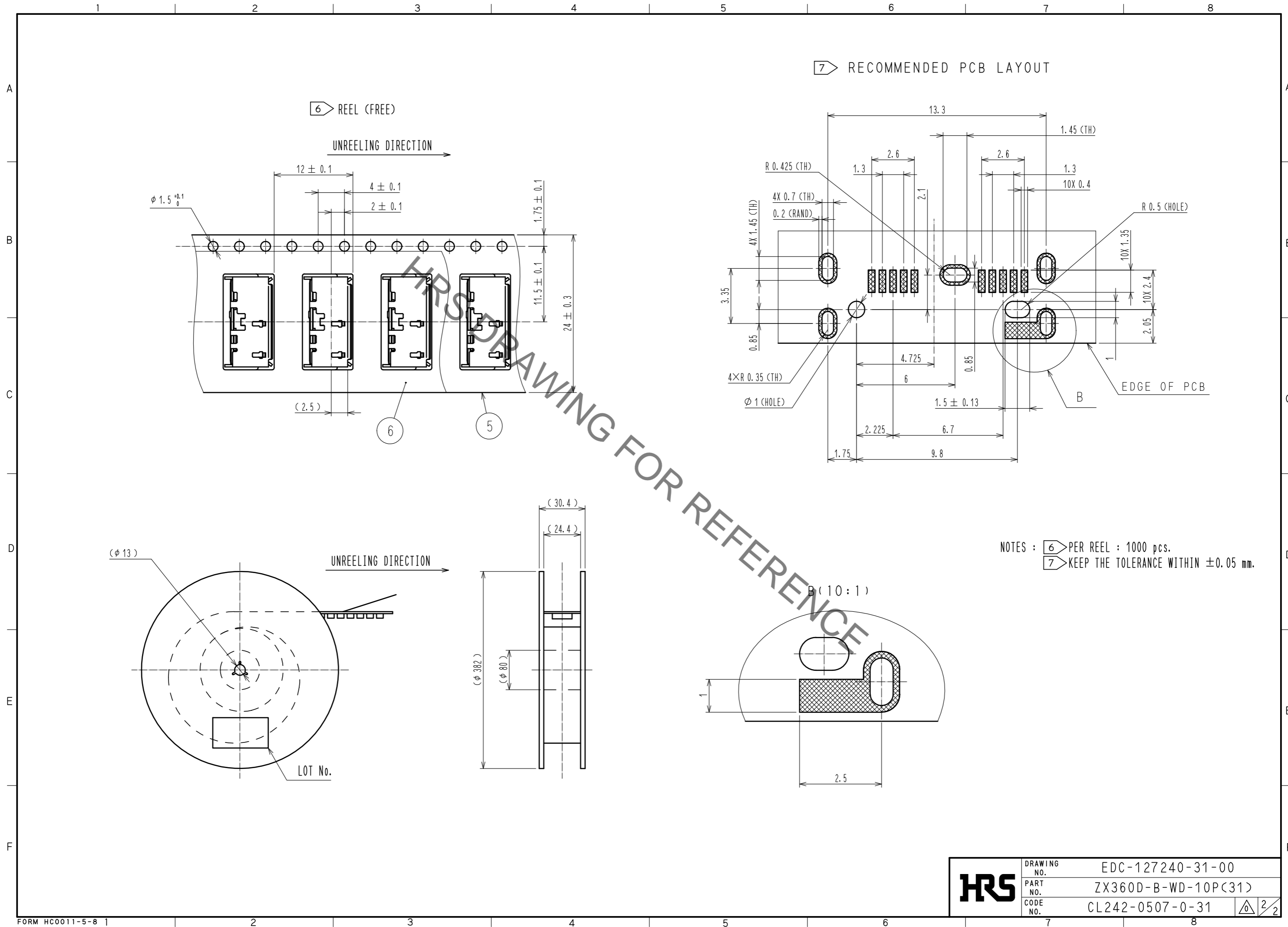


④ Fig.1 LOT CODE CONFIGURATIONS FOR 4 DIGITS.

YEAR	MONTH	DAY				LINE No.					
YEAR CODE	MONTH CODE	DAY CODE	DAY CODE	DAY CODE	DAY CODE	LINE No. CODE					
2014	4	Jan.	A	1	1	11	B	21	M	1	A
2015	5	Feb.	B	2	2	12	C	22	N	2	B
2016	6	Mar.	C	3	3	13	D	23	P	3	C
2017	7	Apr.	D	4	4	14	E	24	Q	4	D
2018	8	May.	E	5	5	15	F	25	R	5	E
2019	9	Jun.	F	6	6	16	G	26	S	6	F
2020	0	Jul.	G	7	7	17	H	27	T	7	G
		Aug.	H	8	8	18	J	28	U	8	H
		Sep.	I	9	9	19	K	29	V	9	I
		Oct.	J	10	A	20	L	30	W	10	J
		Nov.	K								
		Dec.	L								

3	STAINLESS STEEL	NICKEL 1 μm MIN. LUBRICANT	6	PE	
2	COPPER ALLOY	②	5	PS	
1	LCP	UL94V-0, BLACK	4	STAINLESS STEEL	NICKEL 1 μm MIN.
NO.	MATERIAL	FINISH . REMARKS	NO.	MATERIAL	FINISH . REMARKS
UNITS mm		SCALE 5 : 1	COUNT		DESCRIPTION OF REVISIONS
DESIGNED		CHECKED		DATE	
APPROVED : NM. NISHIMATSU 15.10.27			DRAWING NO. EDC-127240-31-00		
CHECKED : KN. ICHIKAWA 15.10.27			PART NO. ZX360D-B-WD-10P(31)		
DESIGNED : TS. ITO 15.10.27			CODE NO. CL242-0507-0-31		
DRAWN : AK. AKIYAMA 15.10.27			①/2		

May.1.2021 Copyright 2021 HIROSE ELECTRIC CO., LTD. All Rights Reserved.
 In case of consideration for using Automotive equipment / device which demand high reliability, kindly contact our sales window correspondents.



HRS	DRAWING NO.	EDC-127240-31-00
	PART NO.	ZX360D-B-WD-10P(31)
	CODE NO.	CL242-0507-0-31
		2 / 2