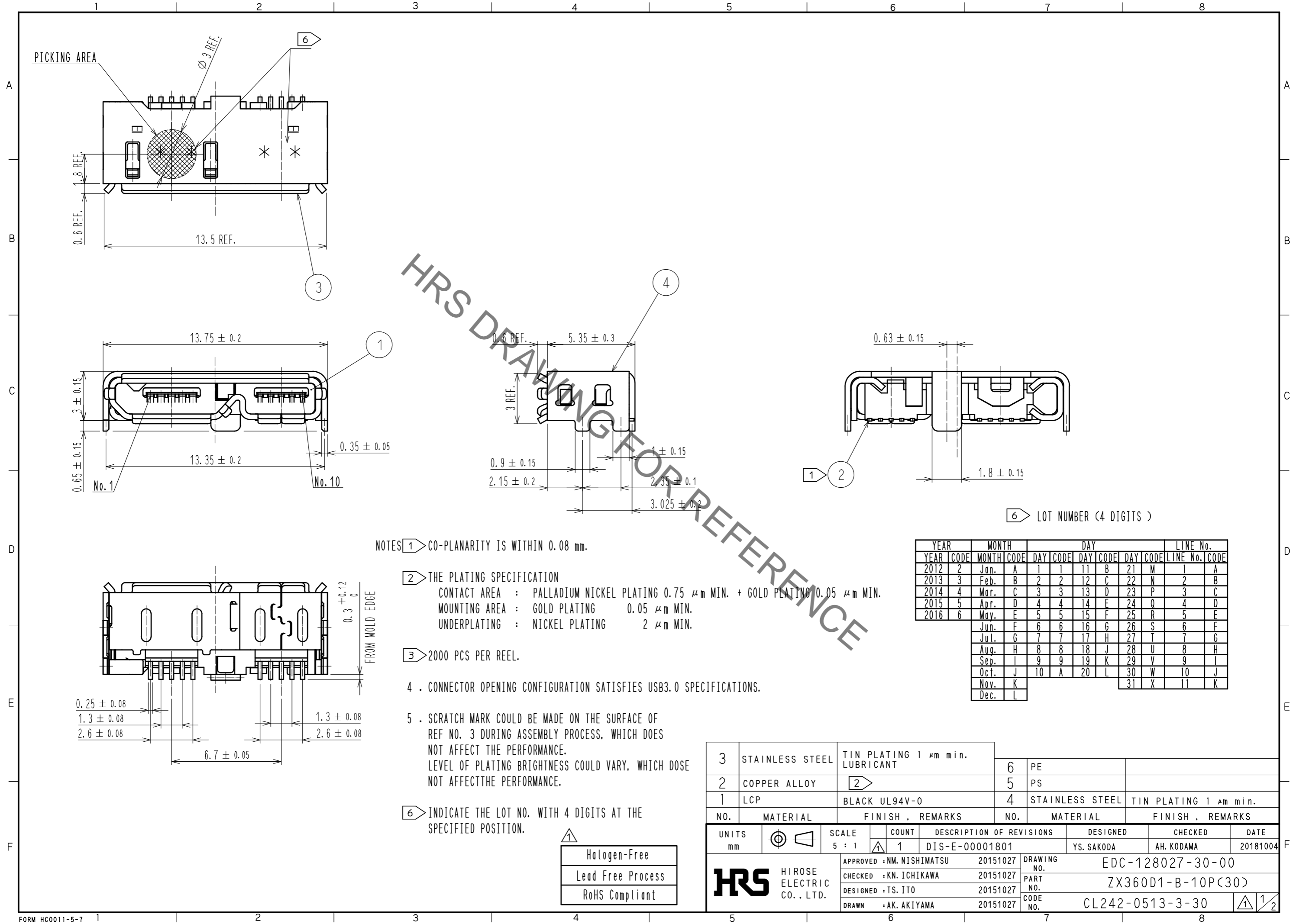


Jun.1.2021 Copyright 2021 HIROSE ELECTRIC CO., LTD. All Rights Reserved.
In case of consideration for using Automotive equipment / device which demand high reliability, kindly contact our sales window correspondents.



NOTES 1 CO-PLANARITY IS WITHIN 0.08 mm.

2 THE PLATING SPECIFICATION
 CONTACT AREA : PALLADIUM NICKEL PLATING 0.75 μm MIN. + GOLD PLATING 0.05 μm MIN.
 MOUNTING AREA : GOLD PLATING 0.05 μm MIN.
 UNDERPLATING : NICKEL PLATING 2 μm MIN.

3 2000 PCS PER REEL.

4 . CONNECTOR OPENING CONFIGURATION SATISFIES USB3.0 SPECIFICATIONS.

5 . SCRATCH MARK COULD BE MADE ON THE SURFACE OF REF NO. 3 DURING ASSEMBLY PROCESS, WHICH DOES NOT AFFECT THE PERFORMANCE. LEVEL OF PLATING BRIGHTNESS COULD VARY, WHICH DOSE NOT AFFECT THE PERFORMANCE.

6 INDICATE THE LOT NO. WITH 4 DIGITS AT THE SPECIFIED POSITION.

Halogen-Free
 Lead Free Process
 RoHS Compliant

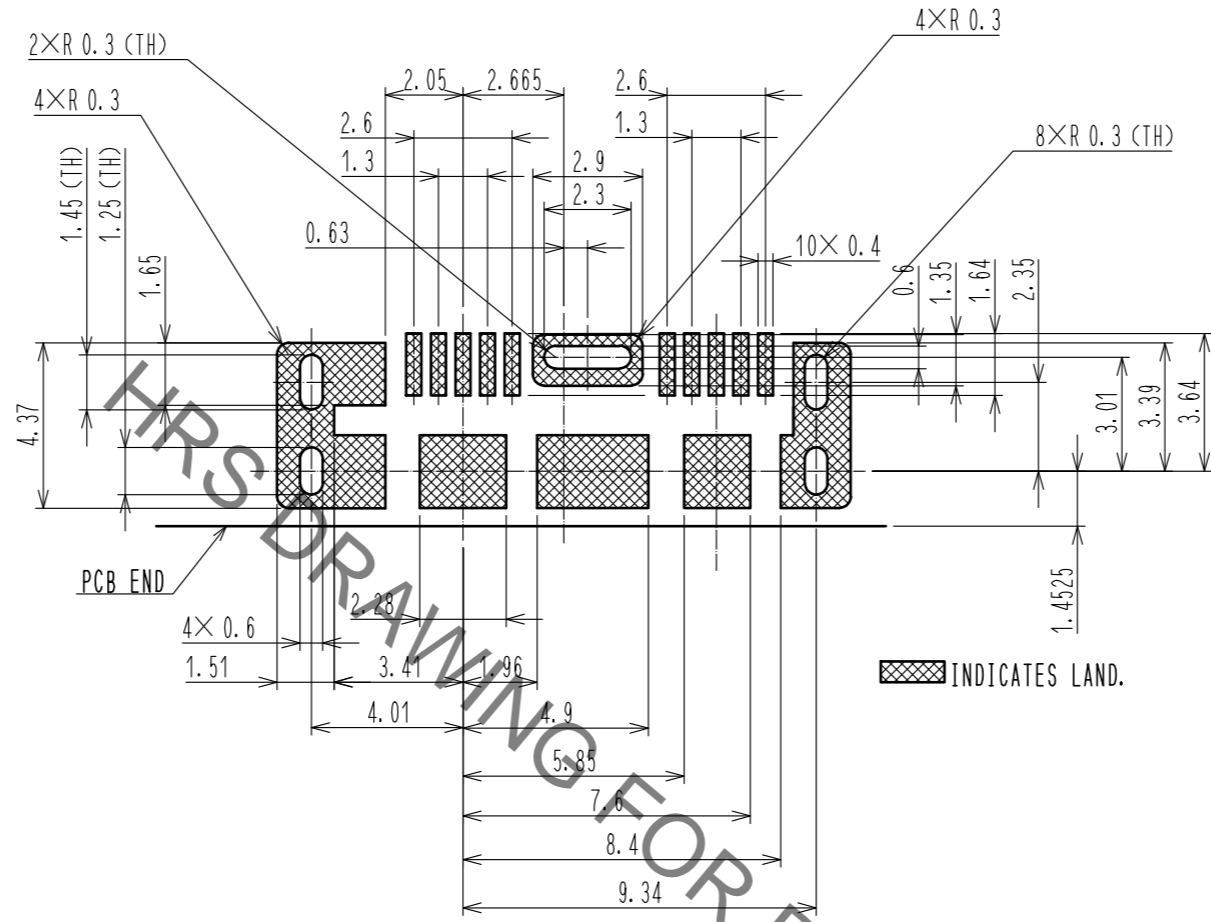
6 LOT NUMBER (4 DIGITS)

YEAR	MONTH	DAY				LINE No.	
YEAR CODE	MONTH CODE	DAY CODE	DAY CODE	DAY CODE	DAY CODE	LINE No.	CODE
2012	2	Jan. A	1	1	11 B	21 M	1 A
2013	3	Feb. B	2	2	12 C	22 N	2 B
2014	4	Mar. C	3	3	13 D	23 P	3 C
2015	5	Apr. D	4	4	14 E	24 Q	4 D
2016	6	May. E	5	5	15 F	25 R	5 E
		Jun. F	6	6	16 G	26 S	6 F
		Jul. G	7	7	17 H	27 T	7 G
		Aug. H	8	8	18 J	28 U	8 H
		Sep. I	9	9	19 K	29 V	9 I
		Oct. J	10	A	20 L	30 W	10 J
		Nov. K				31 X	11 K
		Dec. L					

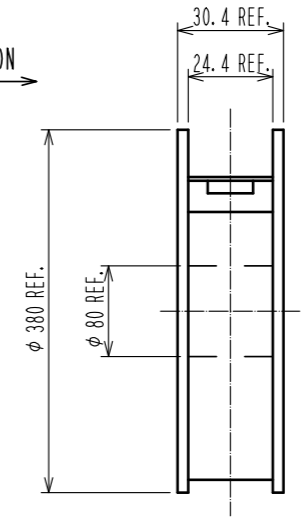
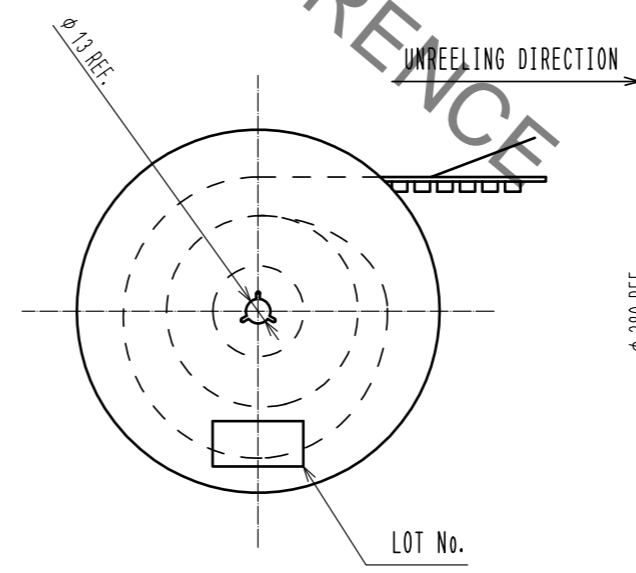
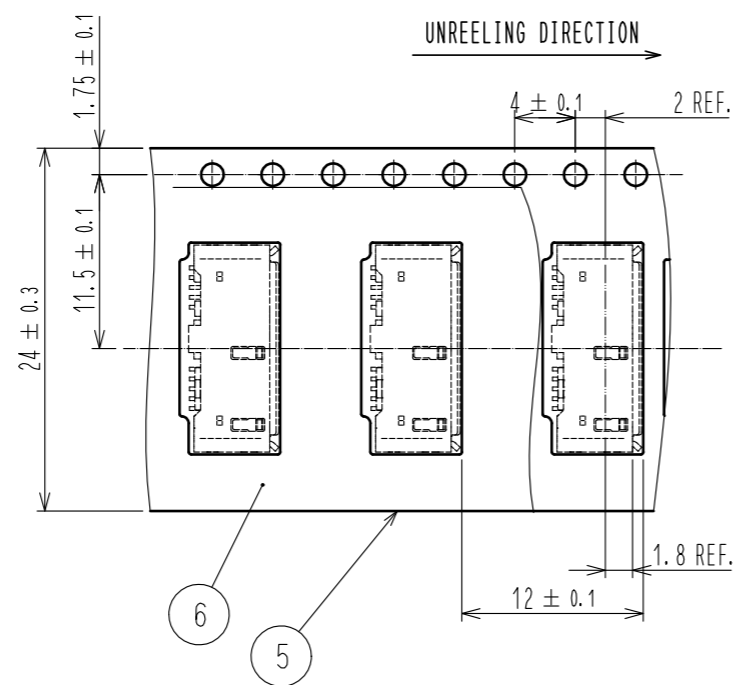
3	STAINLESS STEEL	TIN PLATING 1 μm min. LUBRICANT	6	PE	
2	COPPER ALLOY	2	5	PS	
1	LCP	BLACK UL94V-0	4	STAINLESS STEEL	TIN PLATING 1 μm min.
NO.	MATERIAL	FINISH . REMARKS	NO.	MATERIAL	FINISH . REMARKS
UNITS	mm	SCALE	5 : 1	COUNT	1
DESCRIPTION OF REVISIONS			DESIGNED	CHECKED	
DIS-E-00001801			YS. SAKODA	AH. KODAMA	
DATE			20181004		
APPROVED : NM. NISHIMATSU			20151027		
CHECKED : KN. ICHIKAWA			20151027		
DESIGNED : TS. ITO			20151027		
DRAWN : AK. AKIYAMA			20151027		
DRAWING NO.			EDC-128027-30-00		
PART NO.			ZX360D1-B-10P(30)		
CODE NO.			CL242-0513-3-30		
HRS			HIROSE ELECTRIC CO., LTD.		

Jun.1.2021 Copyright 2021 HIROSE ELECTRIC CO., LTD. All Rights Reserved.
In case of consideration for using Automotive equipment / device which demand high reliability, kindly contact our sales window correspondents.

PCB LAYOUT FOR REFERENCE.



3 DRAWING FOR PACKAGING (FREE)



HRS	DRAWING NO.	EDC-128027-30-00
	PART NO.	ZX360D1-B-10P(30)
	CODE NO.	CL242-0513-3-30
		2/2