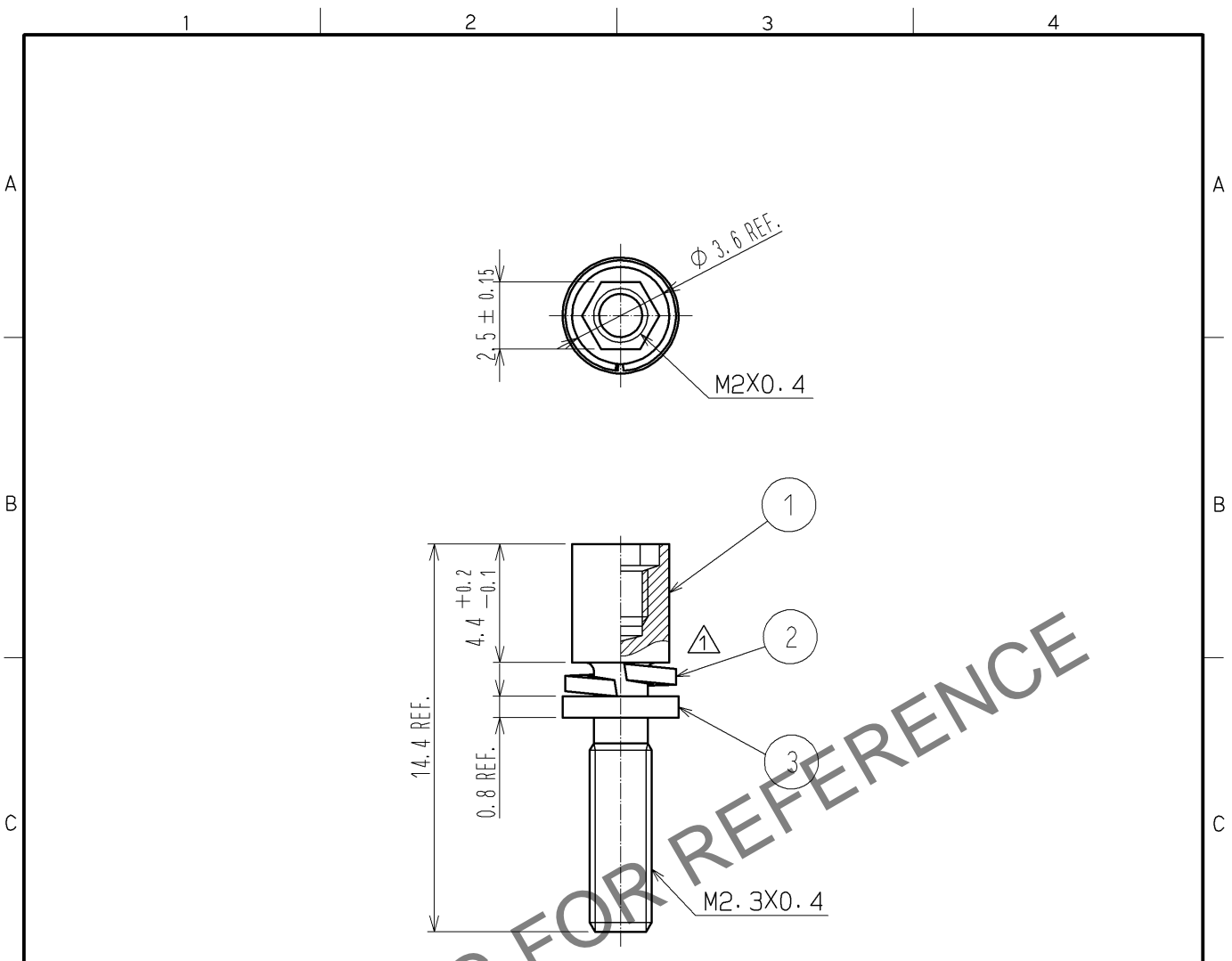
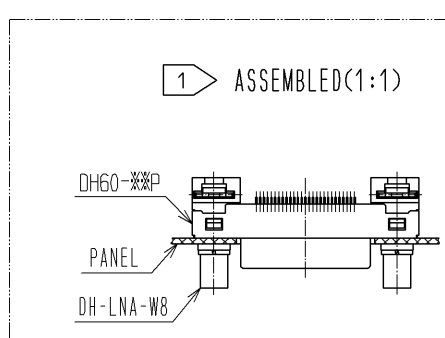


Feb. 1. 2025 Copyright 2025 HIROSE ELECTRIC CO., LTD. All Rights Reserved.
 In case of consideration for using Automotive equipment / device which demand high reliability, kindly contact our sales window correspondents.



HRS DRAWING FOR REFERENCE

NOTE ① THIS PRODUCT IS ASSEMBLED TO A "DH60-**P".
 THE APPLICABLE PANEL THICKNESS IS FROM 0.5 TO 0.8mm.
 ② THIS PRODUCT IS PACKED IN A BAG. (QUANTITY IN A BAG : 200pcs.)



1	STEEL	OVER PLATING : NICKEL 5μm MIN UNDER PLATING : COPPER 1μm MIN	3	STEEL	OVER PLATING : NICKEL 5μm MIN UNDER PLATING : COPPER 1μm MIN		
NO.	MATERIAL	FINISH , REMARKS	NO.	MATERIAL	FINISH , REMARKS		
UNITS mm		SCALE 4 : 1	COUNT ② 1	DESCRIPTION OF REVISIONS DIS-E-003059	DESIGNED MO. SHIMOYAMA	CHECKED KN. ICHIKAWA	DATE 09.12.07
HIROSE ELECTRIC CO., LTD.		APPROVED : AO. SUZUKI	09.04.27	DRAWING NO.	EDC4-126529-00		
		CHECKED : MO. SHIMOYAMA	09.04.24	PART NO.	DH-LNA-W8		
		DESIGNED : TS. ITO	09.04.24	CODE NO.	CL244-0004-2-00		
		DRAWN : TS. ITO	09.04.24		② 1/1		