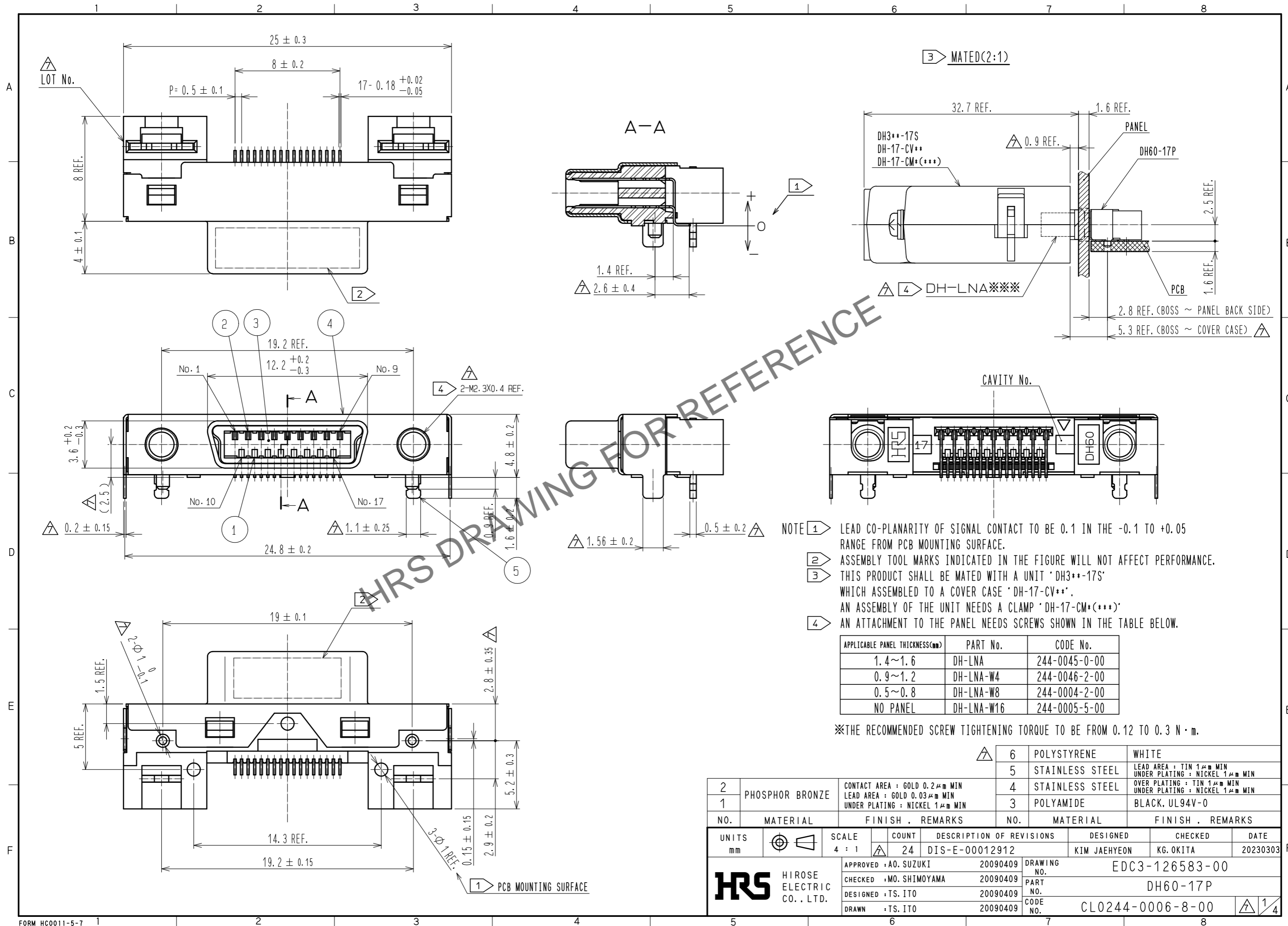


Feb.1.2025 Copyright 2025 HIROSE ELECTRIC CO., LTD. All Rights Reserved.
 In case of consideration for using Automotive equipment / device which demand high reliability, kindly contact our sales window correspondents.



MATED(2:1)

A-A

CAVITY No.

- NOTE
- 1 LEAD CO-PLANARITY OF SIGNAL CONTACT TO BE 0.1 IN THE -0.1 TO +0.05 RANGE FROM PCB MOUNTING SURFACE.
 - 2 ASSEMBLY TOOL MARKS INDICATED IN THE FIGURE WILL NOT AFFECT PERFORMANCE.
 - 3 THIS PRODUCT SHALL BE MATED WITH A UNIT 'DH3+-17S' WHICH ASSEMBLED TO A COVER CASE 'DH-17-CV+'. AN ASSEMBLY OF THE UNIT NEEDS A CLAMP 'DH-17-CM+(*)'.
 - 4 AN ATTACHMENT TO THE PANEL NEEDS SCREWS SHOWN IN THE TABLE BELOW.

APPLICABLE PANEL THICKNESS(mm)	PART No.	CODE No.
1.4~1.6	DH-LNA	244-0045-0-00
0.9~1.2	DH-LNA-W4	244-0046-2-00
0.5~0.8	DH-LNA-W8	244-0004-2-00
NO PANEL	DH-LNA-W16	244-0005-5-00

※THE RECOMMENDED SCREW TIGHTENING TORQUE TO BE FROM 0.12 TO 0.3 N·m.

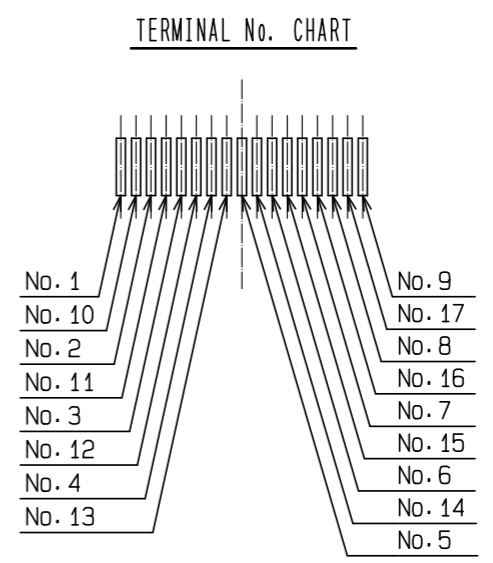
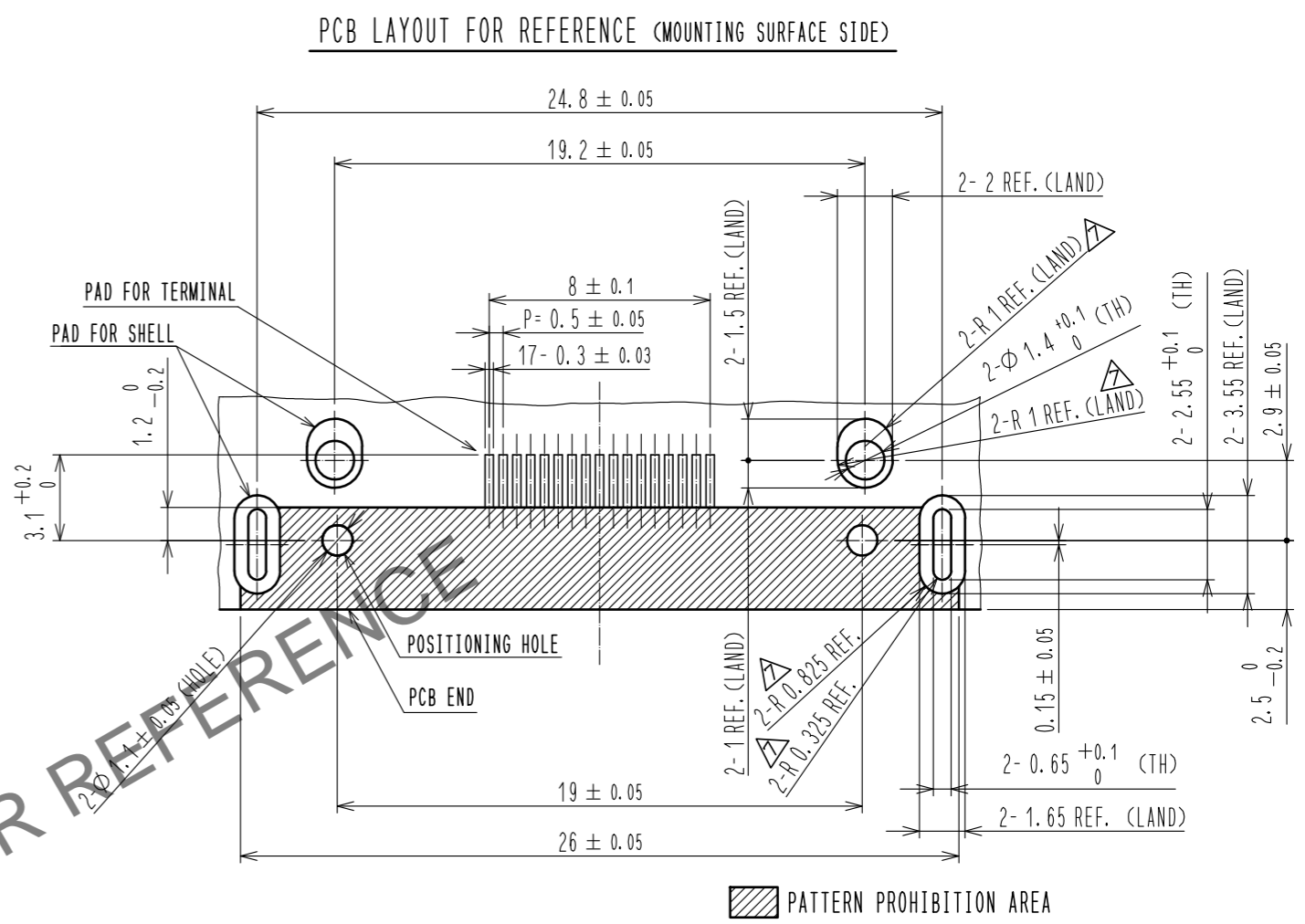
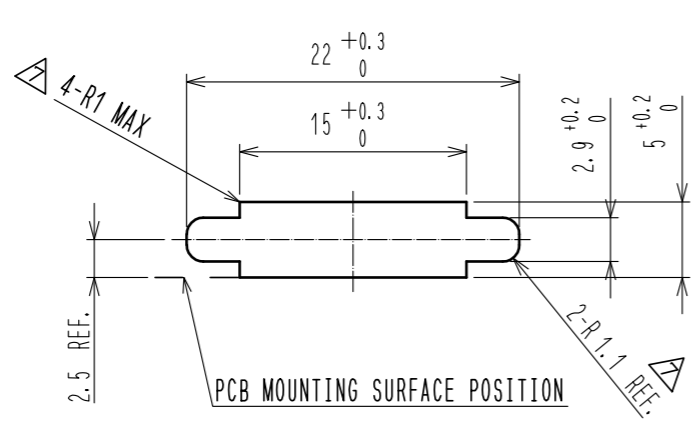
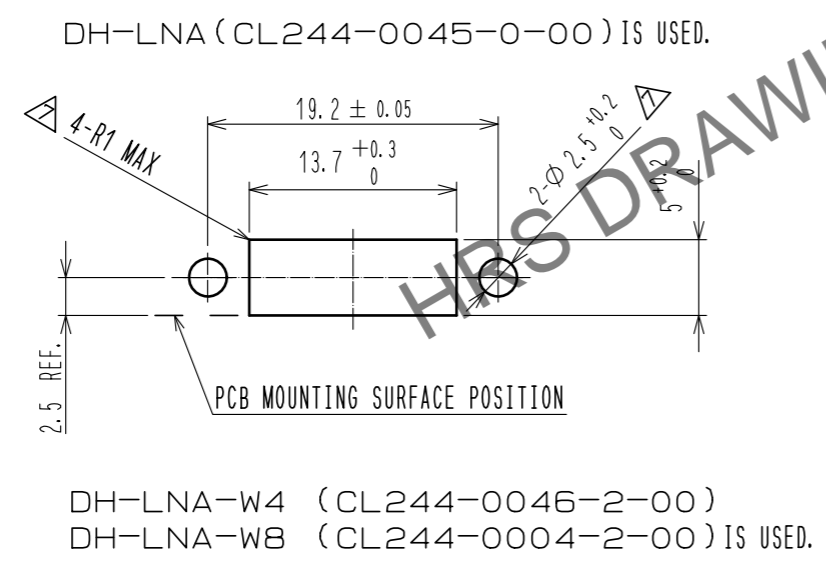
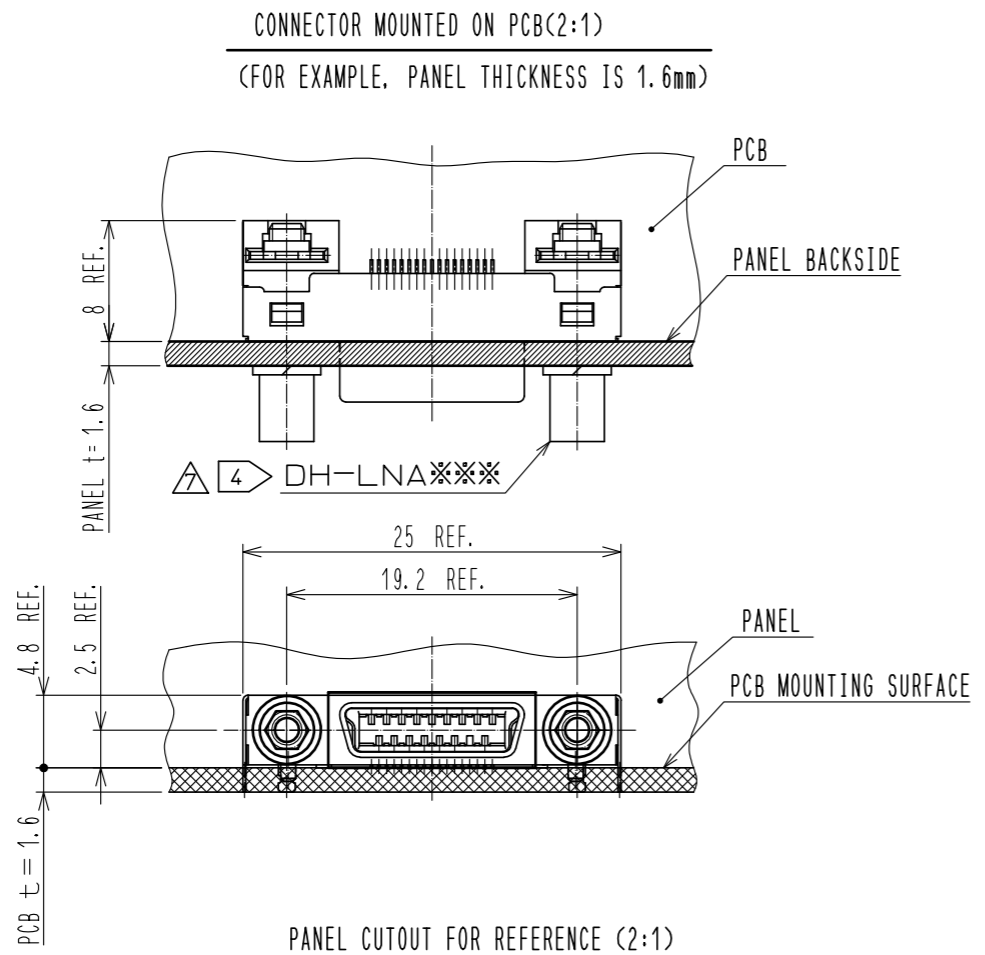
NO.	MATERIAL	FINISH . REMARKS	NO.	MATERIAL	FINISH . REMARKS
2	PHOSPHOR BRONZE	CONTACT AREA : GOLD 0.2 μm MIN LEAD AREA : GOLD 0.03 μm MIN UNDER PLATING : NICKEL 1 μm MIN	6	POLYSTYRENE	WHITE
1			5	STAINLESS STEEL	LEAD AREA : TIN 1 μm MIN UNDER PLATING : NICKEL 1 μm MIN
			4	STAINLESS STEEL	OVER PLATING : TIN 1 μm MIN UNDER PLATING : NICKEL 1 μm MIN
			3	POLYAMIDE	BLACK, UL94V-0

UNITS	SCALE	COUNT	DESCRIPTION OF REVISIONS	DESIGNED	CHECKED	DATE
mm	4 : 1	24	DIS-E-00012912	KIM JAEHYEON	KG. OKITA	20230303

APPROVED	CHECKED	DESIGNED	DRAWN	DRAWING NO.	PART NO.	CODE NO.
A0. SUZUKI	MO. SHIMOYAMA	TS. ITO	TS. ITO	EDC3-126583-00	DH60-17P	CL0244-0006-8-00
20090409	20090409	20090409	20090409			

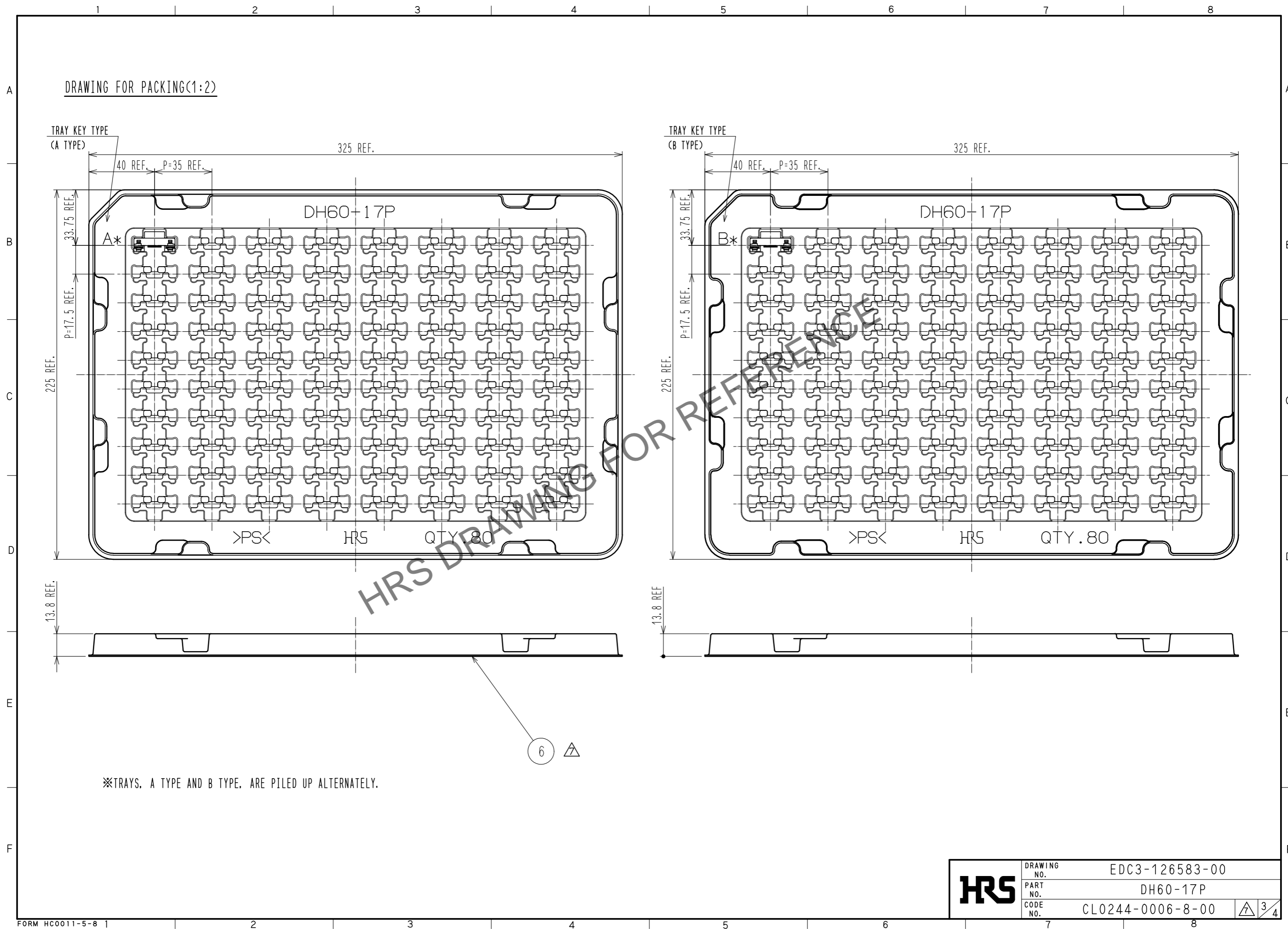
In case of consideration for using Automotive equipment / device which demand high reliability, kindly contact our sales window correspondents.

Feb.1.2025 Copyright 2025 HIROSE ELECTRIC CO., LTD. All Rights Reserved.



HRS	DRAWING NO.	EDC3-126583-00
	PART NO.	DH60-17P
	CODE NO.	CL0244-0006-8-00
		2/4

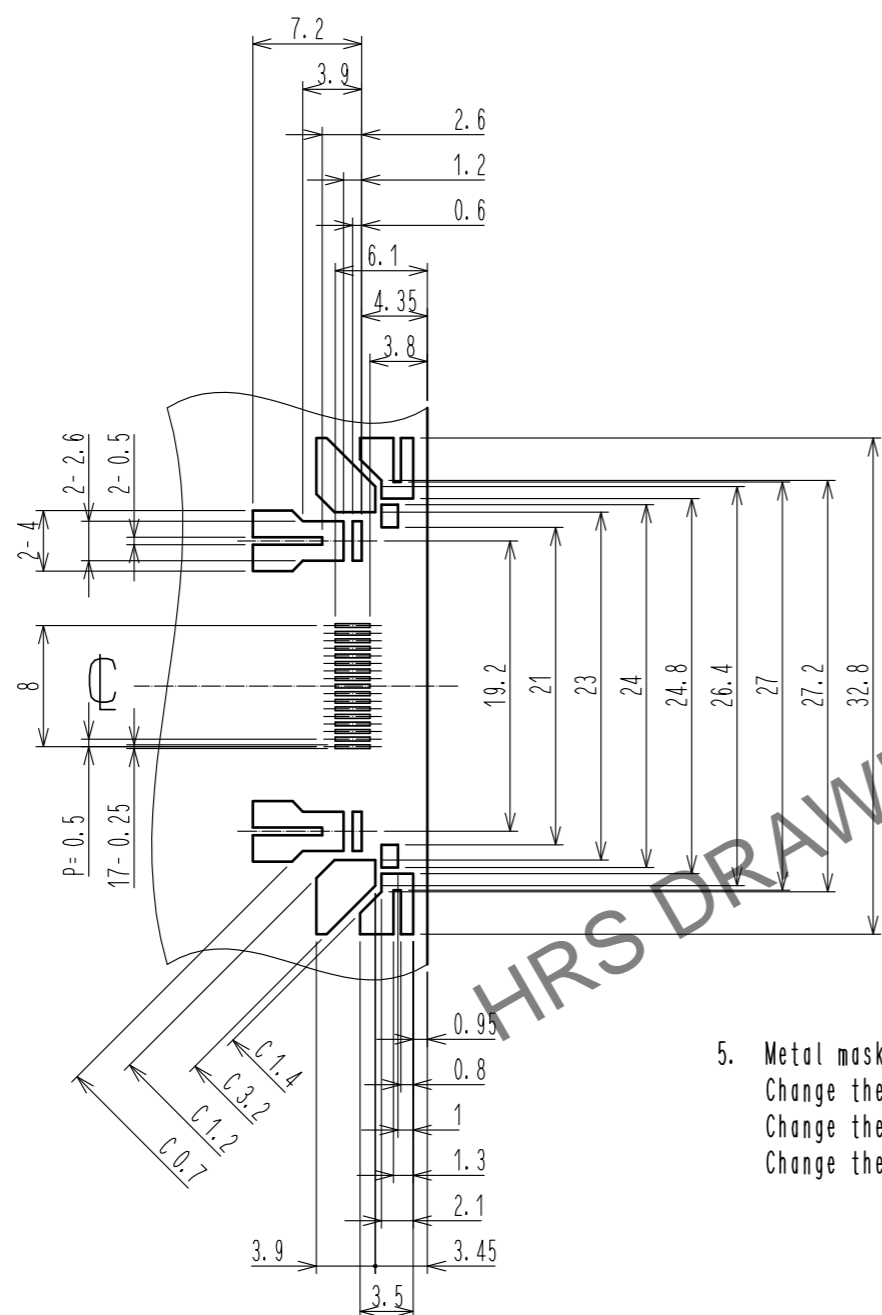
Feb.1.2025 Copyright 2025 HIROSE ELECTRIC CO., LTD. All Rights Reserved.
In case of consideration for using Automotive equipment / device which demand high reliability, kindly contact our sales window correspondents.



HRS	DRAWING NO.	EDC3-126583-00
	PART NO.	DH60-17P
	CODE NO.	CL0244-0006-8-00
		▲ 3/4

Feb.1.2025 Copyright 2025 HIROSE ELECTRIC CO., LTD. All Rights Reserved.
In case of consideration for using Automotive equipment / device which demand high reliability, kindly contact our sales window correspondents.

REFERENCE METAL MASK LAYOUT(2:1)
(t=0.15)



5. Metal mask dimensions of the drawings described, are reference dimensions for 0.15 mm thickness metal mask.
Change the metal mask dimensions by thickness of the metal mask, thickness of PCB, component of solder paste and mounting conditions.
Change the metal mask dimensions in case of mounting DH**-*P in parallel.
Change the metal mask dimensions, if there are other mounting parts or implementation pattern around the portion of mounting position of DH**-*P.

GENERAL TOLERANCE IS ± 0.05

HRS	DRAWING NO.	EDC3-126583-00
	PART NO.	DH60-17P
	CODE NO.	CL0244-0006-8-00
		4/4